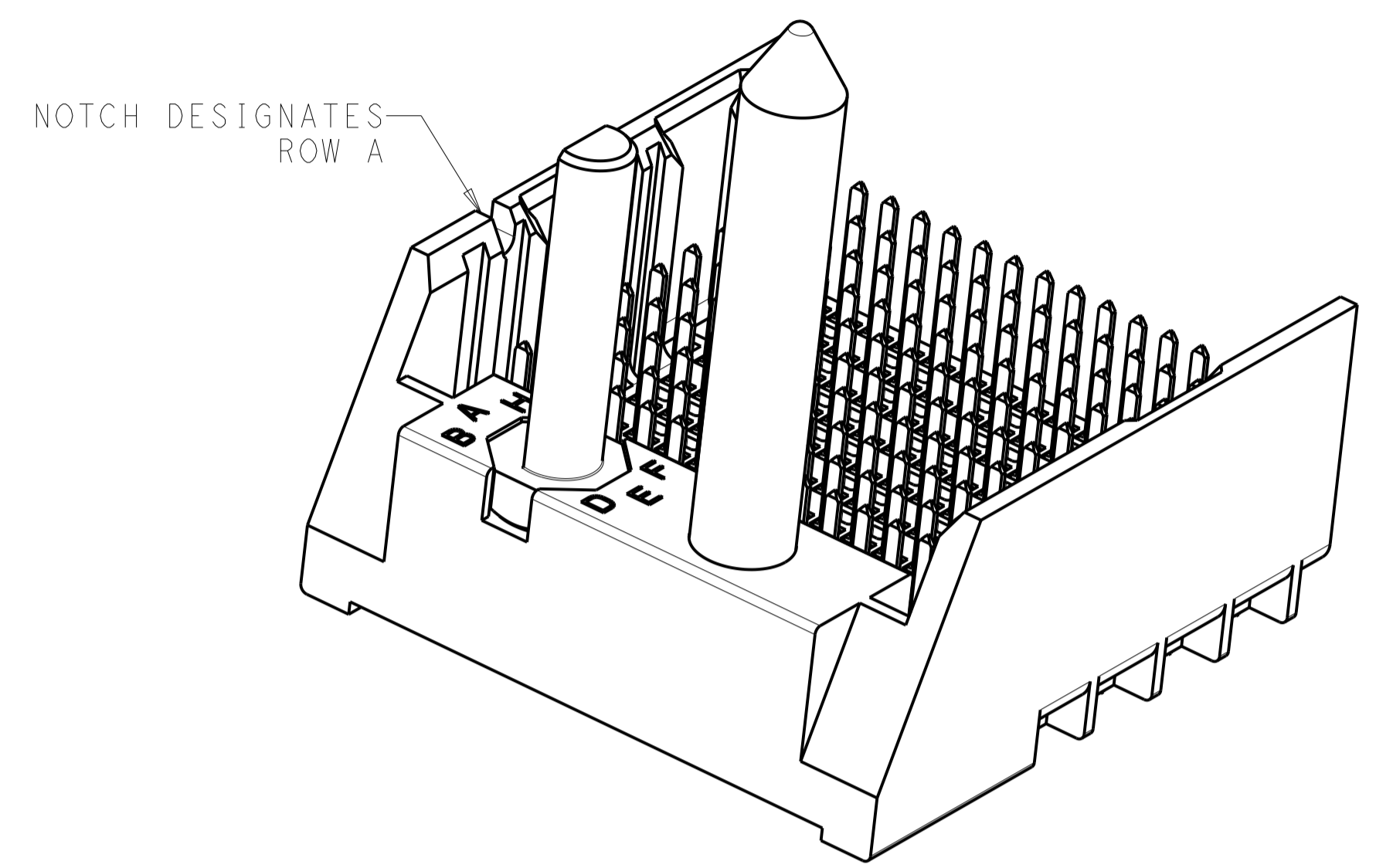
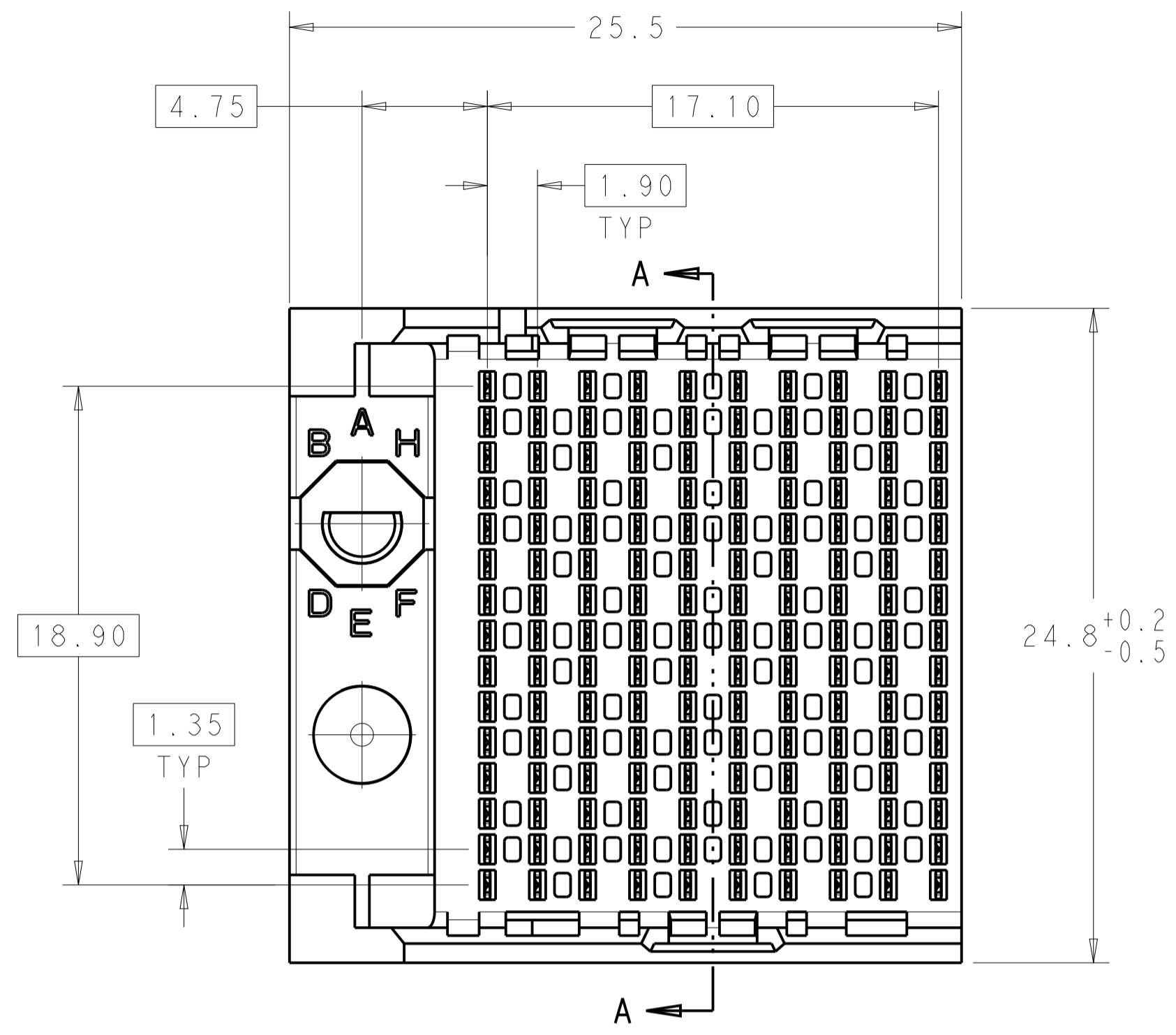
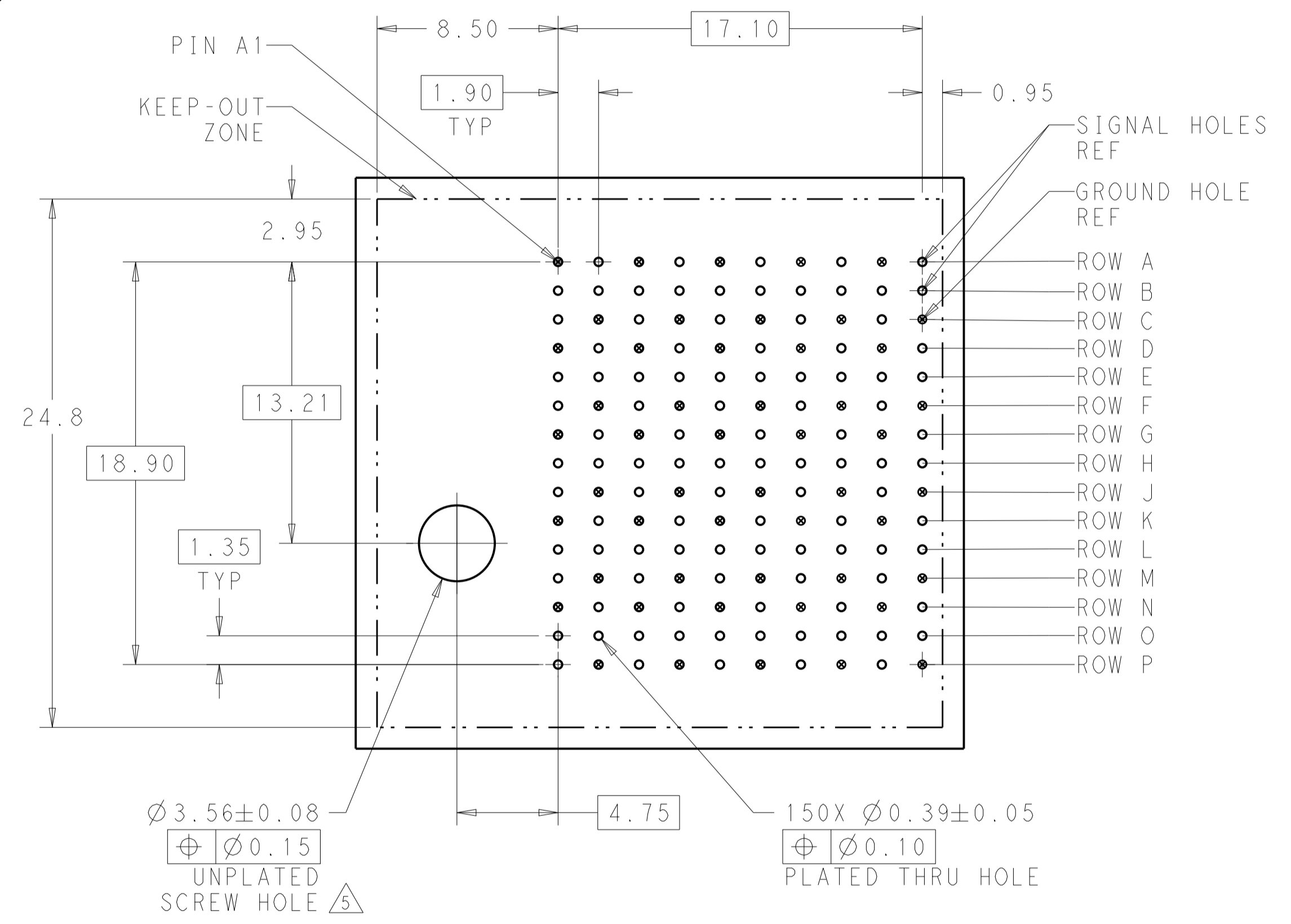


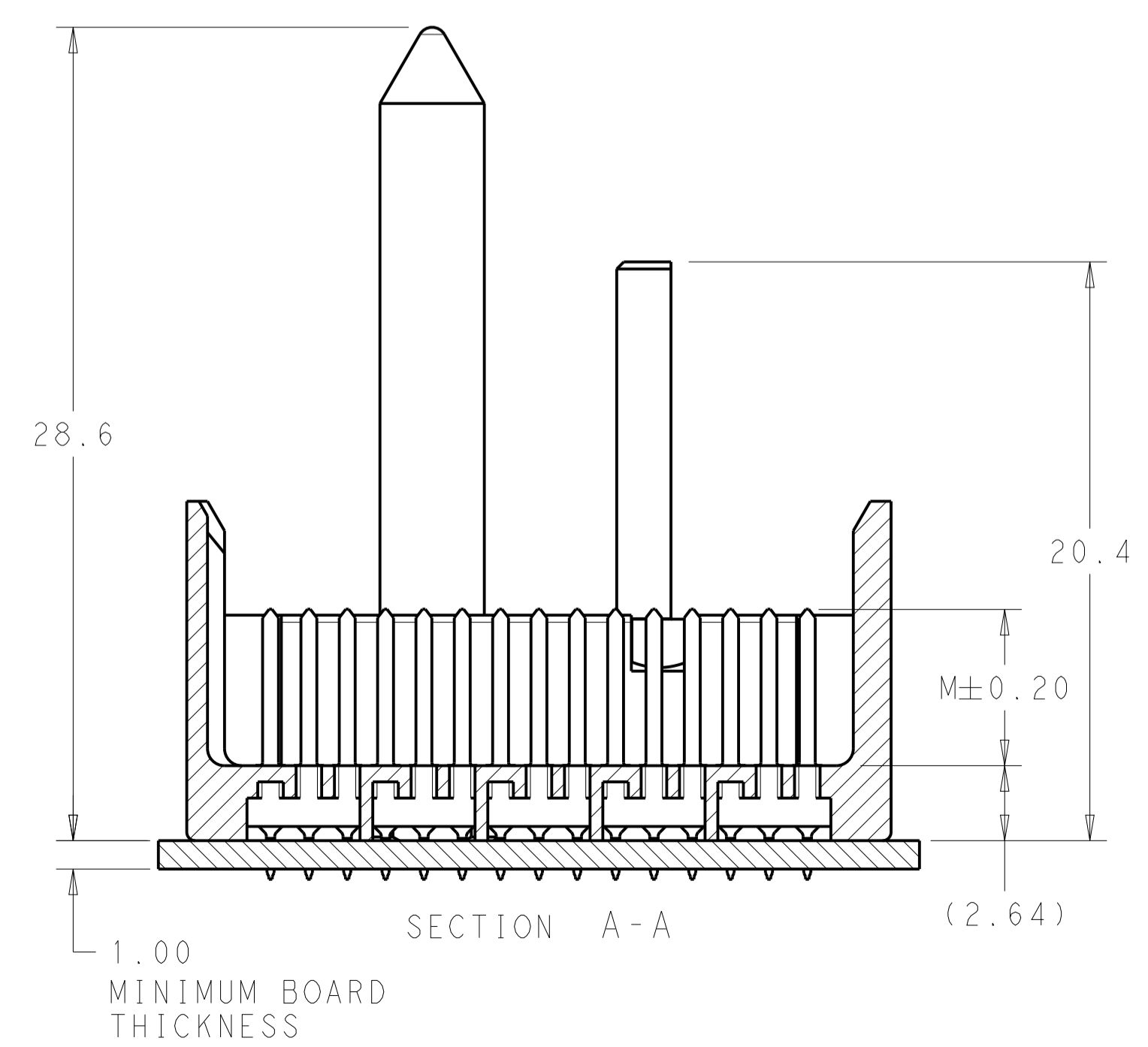
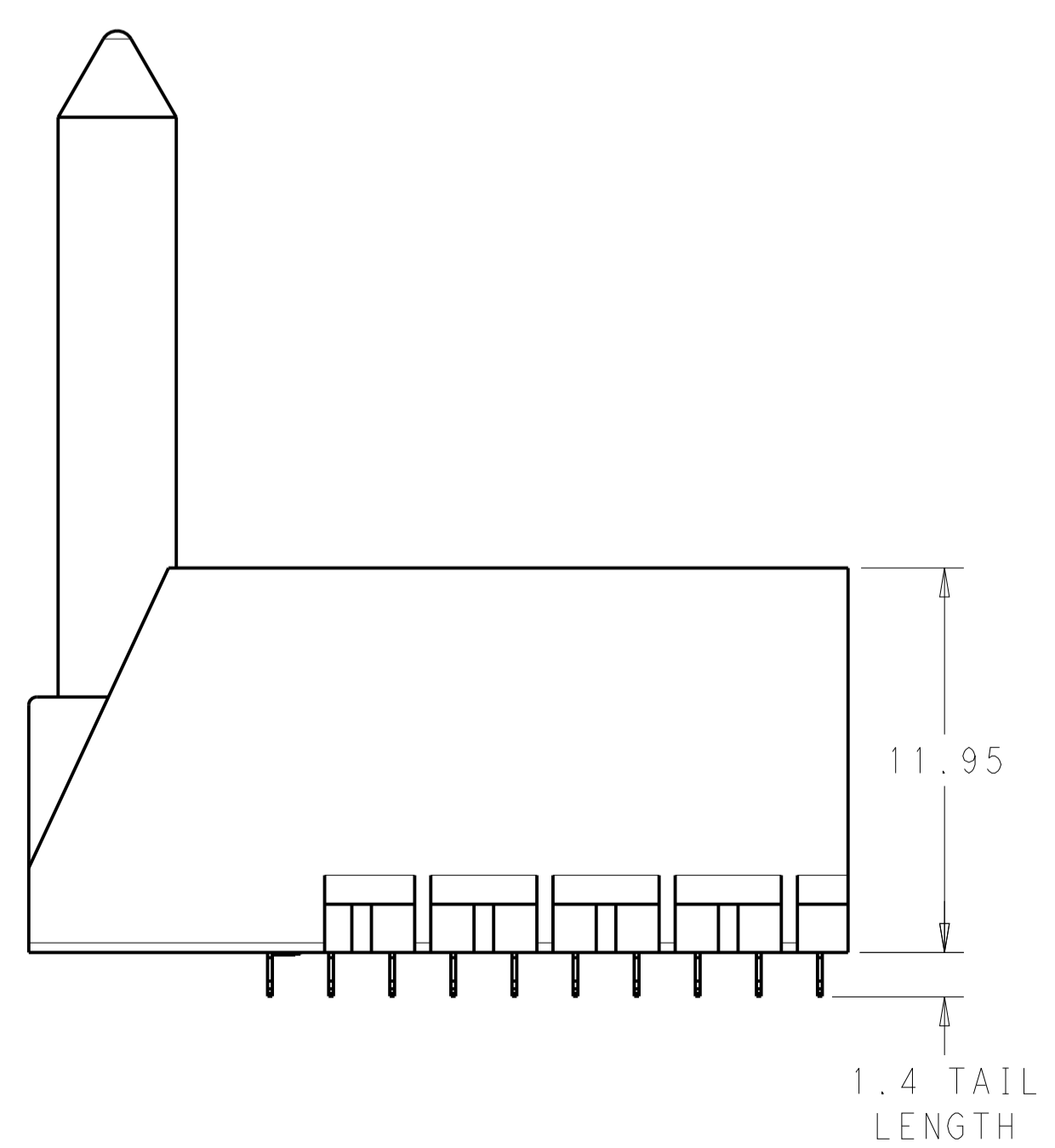
REVISIONS				
REV	LTN	DESCRIPTION	DATE	APPROV
C		REVISED PER ECO-14-000933	28JAN2014	AP DD



- △ MATERIAL:
HOUSING: LCP, GLASS FILLED, UL94V-0.
TERMINALS: HIGH PERFORMANCE COPPER ALLOY.
- △ FINISH:
30μ" MIN GOLD IN CONTACT AREA. SELECTIVE TIN ON PCB TAILS, NICKEL OVERALL.
- △ FINISH:
30μ" MIN GOLD IN CONTACT AREA. SELECTIVE TIN-LEAD ON PCB TAILS, NICKEL OVERALL.
- 4. SCREWS PACKAGED IN END OF PACKAGING TUBE.
- △ FOR GROUNDED GUIDE PIN USE Ø3.56±0.08 PTH, Ø3.66 DRILL, AND Ø6.5 PAD.
- 6. KEYING PIN SHOWN IN POSITION A, SEE KEYING CHART ON SHEET 2 FOR OTHER POSITIONS.



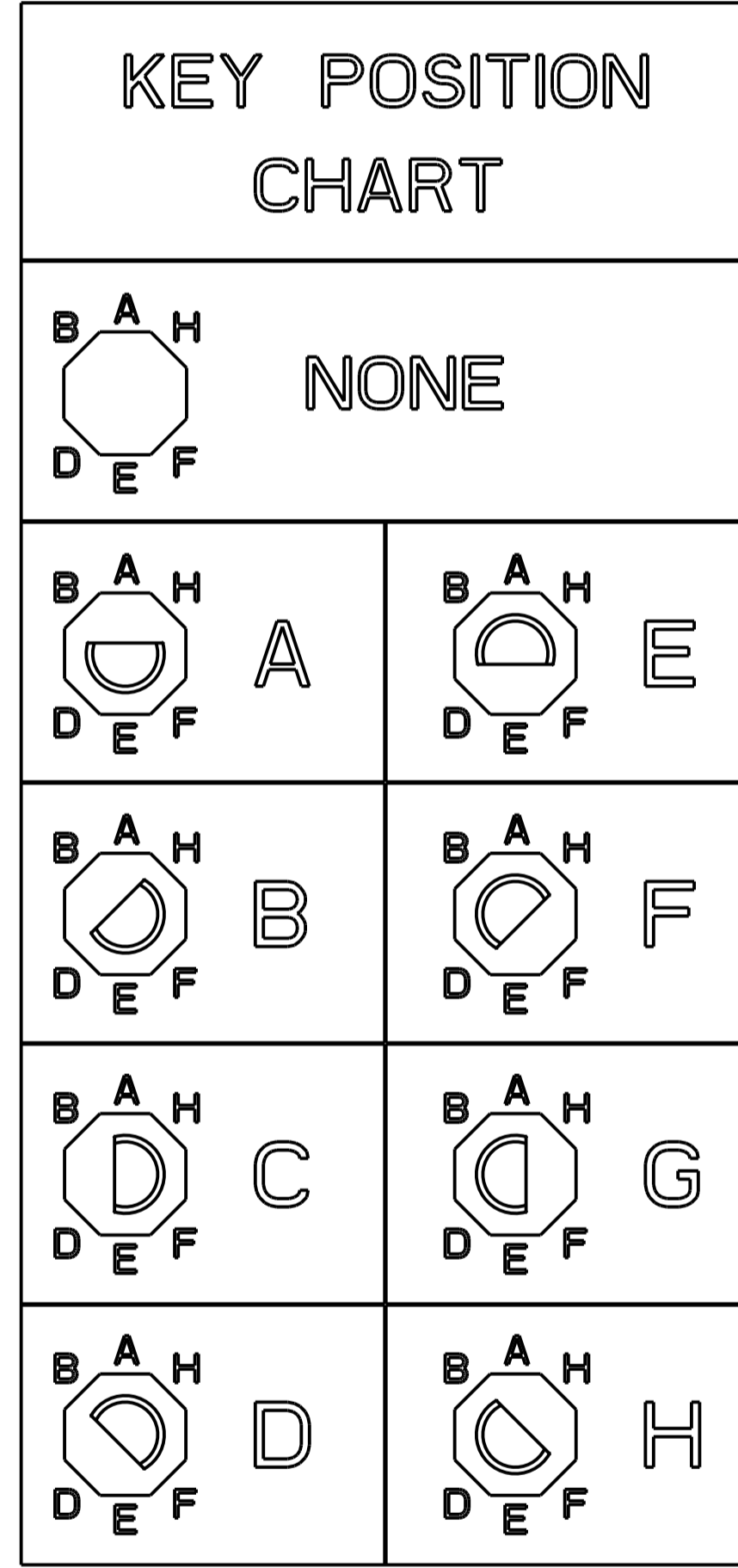
LEFT GUIDED BACKPLANE HOLE PATTERN (CONNECTOR SIDE)



THIS DRAWING IS A CONTROLLED DOCUMENT.		OWN J. K. SHOBER 02FEB2011	TE Connectivity
DIMENSIONS: mm		CHK J. EARY 02FEB2011	
TOLERANCES UNLESS OTHERWISE SPECIFIED:		APVD J. EARY 02FEB2011	NAME IMPACT, 5 PAIR, 10 COLUMN, HEADER LEFT GUIDED, OPEN END WALL SIGNAL MODULE, 0.39 PTH
0 PLC ±	1 PLC ±0.25	PRODUCT SPEC	SIZE CAGE CODE DRAWING NO RESTRICTED TO
2 PLC ±0.13	3 PLC ±	APPLICATION SPEC	A100779C=2007841
4 PLC ±	ANGLES ±	WEIGHT	CUSTOMER DRAWING
FINISH SEE TABLE		SCALE 5:1	SHEET 1 OF 2 REV C

REVISIONS				
P.	LTN	DESCRIPTION	DATE	APVD
-	-	SEE SHEET 1	-	-

3	H	5.5	8-2007841-6
3	H	4.9	8-2007841-5
3	H	4.5	8-2007841-4
2	H	5.5	8-2007841-3
2	H	4.9	8-2007841-2
2	H	4.5	8-2007841-1
3	G	5.5	7-2007841-6
3	G	4.9	7-2007841-5
3	G	4.5	7-2007841-4
2	G	5.5	7-2007841-3
2	G	4.9	7-2007841-2
2	G	4.5	7-2007841-1
3	F	5.5	6-2007841-6
3	F	4.9	6-2007841-5
3	F	4.5	6-2007841-4
2	F	5.5	6-2007841-3
2	F	4.9	6-2007841-2
2	F	4.5	6-2007841-1
3	E	5.5	5-2007841-6
3	E	4.9	5-2007841-5
3	E	4.5	5-2007841-4
2	E	5.5	5-2007841-3
2	E	4.9	5-2007841-2
2	E	4.5	5-2007841-1
3	D	5.5	4-2007841-6
3	D	4.9	4-2007841-5
3	D	4.5	4-2007841-4
2	D	5.5	4-2007841-3
2	D	4.9	4-2007841-2
2	D	4.5	4-2007841-1
3	C	5.5	3-2007841-6
3	C	4.9	3-2007841-5
3	C	4.5	3-2007841-4
2	C	5.5	3-2007841-3
2	C	4.9	3-2007841-2
2	C	4.5	3-2007841-1
3	B	5.5	2-2007841-6
3	B	4.9	2-2007841-5
3	B	4.5	2-2007841-4
2	B	5.5	2-2007841-3
2	B	4.9	2-2007841-2
2	B	4.5	2-2007841-1
3	A	5.5	1-2007841-6
3	A	4.9	1-2007841-5
3	A	4.5	1-2007841-4
2	A	5.5	1-2007841-3
2	A	4.9	1-2007841-2
2	A	4.5	1-2007841-1
3	-	5.5	2007841-6
3	-	4.9	2007841-5
3	-	4.5	2007841-4
2	-	5.5	2007841-3
2	-	4.9	2007841-2
2	-	4.5	2007841-1
FINISH	KEY POSITION	DIM M	PART NUMBER



REFER TO WWW.TE.COM
FOR PRODUCT AVAILABILITY

THIS DRAWING IS A CONTROLLED DOCUMENT.		DWN J. K. SHOBER 02FEB2011		TE Connectivity	
DIMENSIONS: mm		CHK J. EARY 02FEB2011			
TOLERANCES UNLESS OTHERWISE SPECIFIED:		APVD J. EARY 02FEB2011		NAME IMPACT, 5 PAIR, 10 COLUMN, HEADER LEFT GUIDED, OPEN END WALL SIGNAL MODULE, 0.39 PTH	
0 PLC ±0.25		PRODUCT SPEC		SIZE CAGE CODE DRAWING NO RESTRICTED TO	
2 PLC ±0.13		APPLICATION SPEC		A100779C=2007841	
3 PLC ±		WEIGHT		SCALE 5:1 SHEET 2 OF 2 REV C	
4 PLC ±		CUSTOMER DRAWING			
ANGLES					
FINISH					
SEE TABLE					