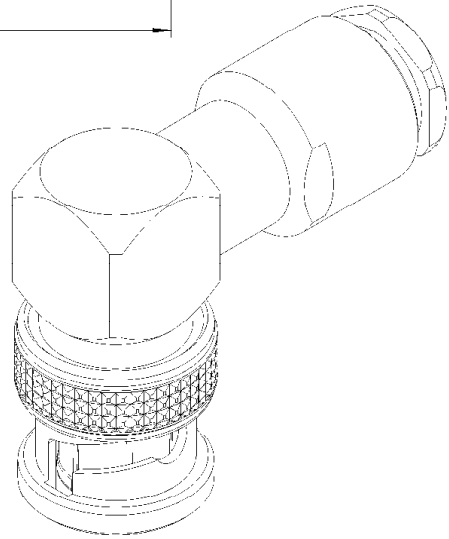
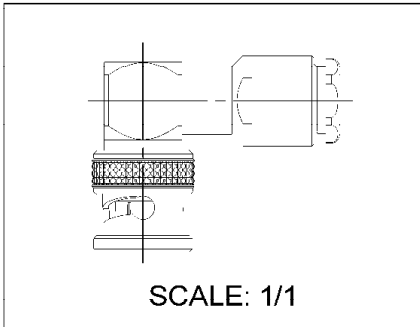
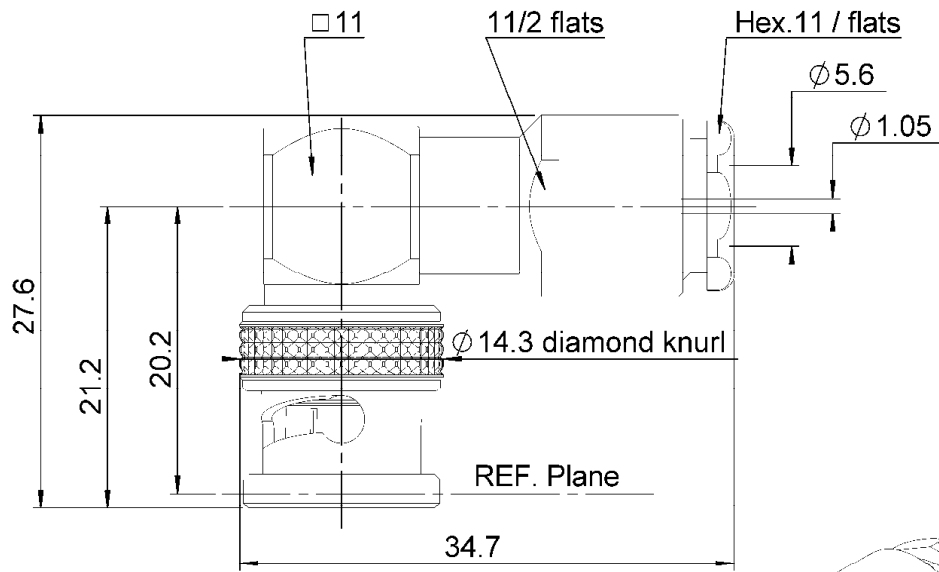
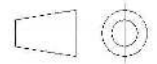


PAGE 1/2	ISSUE 1413D	SERIES BNC	PART NUMBER <b>R141156000</b>
----------	-------------	------------	-------------------------------



All dimensions are in mm.



COMPONENTS	MATERIALS	PLATING ( $\mu\text{m}$ )
Body	<b>BRASS</b>	<b>NICKEL</b>
Center contact	<b>BERYLLIUM COPPER, BRASS</b>	<b>GOLD OVER NICKEL</b>
Outer contact	-	-
Insulator	<b>PTFE</b>	
Gasket	<b>SILICONE RUBBER</b>	
Others parts	<b>BRASS</b>	<b>NICKEL</b>
-	-	-
-	-	-

PAGE 2/2	ISSUE 1413D	SERIES BNC	PART NUMBER R141156000
----------	-------------	------------	------------------------

### PACKAGING

Standard	Unit	Other
1	Contact us	Contact us

### ELECTRICAL CHARACTERISTICS

Impedance	50	Ω
Frequency	0-4	GHz
VSWR	1.25 + 0.0000	x F(GHz) Maxi
Insertion loss	0.175	√F(GHz) dB Maxi
RF leakage	- ( 57	- F(GHz)) dB Maxi
Voltage rating	500	Veff Maxi
Dielectric withstanding voltage	1500	Veff mini
Insulation resistance	5000	MΩ mini

### MECHANICAL CHARACTERISTICS

Center contact retention		
Axial force – Mating End	27	N mini
Axial force – Opposite end	27	N mini
Torque	NA	N.cm mini
Recommended torque		
Mating	NA	N.cm
Panel nut	NA	N.cm
Clamp nut	450	N.cm
A/F clamp nut	11.0000	mm
Mating life	500	Cycles mini
Weight	28.9320	g

### ENVIRONMENTAL

Operating temperature	-65/+165	°C
Hermetic seal	NA	Atm.cm3/s
Panel leakage	NA	

### SPECIFICATION

### CABLE ASSEMBLY

Stripping	a	b	c	d	e	f
mm	4.5	8.5	0	0	2.5	0

Assembly instruction: **Clamp 02**

Recommended cable(s)

**KX 15**  
**KX 23**  
**RG 58**  
**RG 141**  
**RG 142**  
**RG 142 FTX**  
**RG 223**  
**RG 400**

Characteristics indicated on this data sheet are those that can be achieved with the highest performance cable. Intrinsic limitations of the cable may diminish the performance of the assembly

Cable retention

- pull off	180	N mini
- torque	NA	N.cm

### TOOLING

Part Number	Description	Hexagon
.	.	.

### OTHER CHARACTERISTICS

-