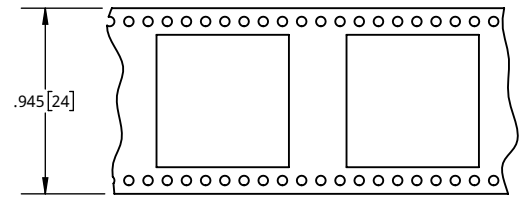
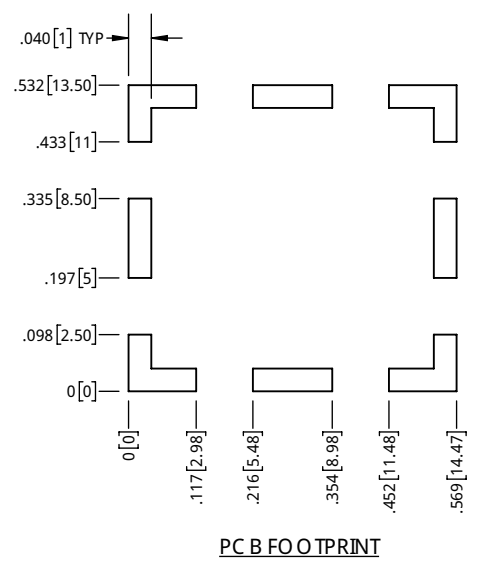
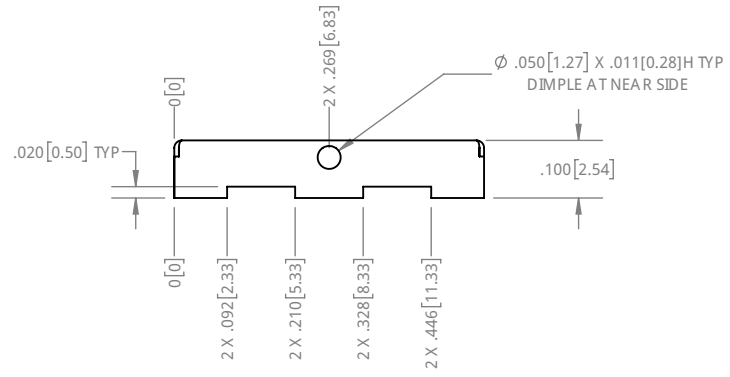
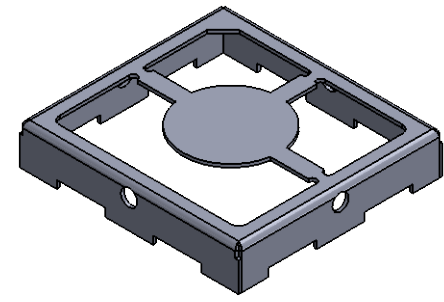
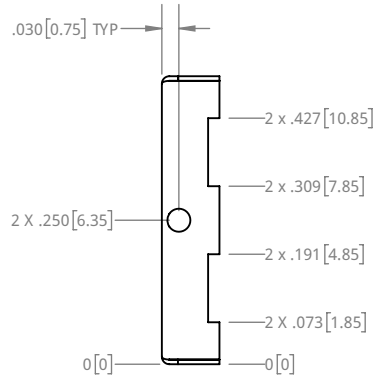
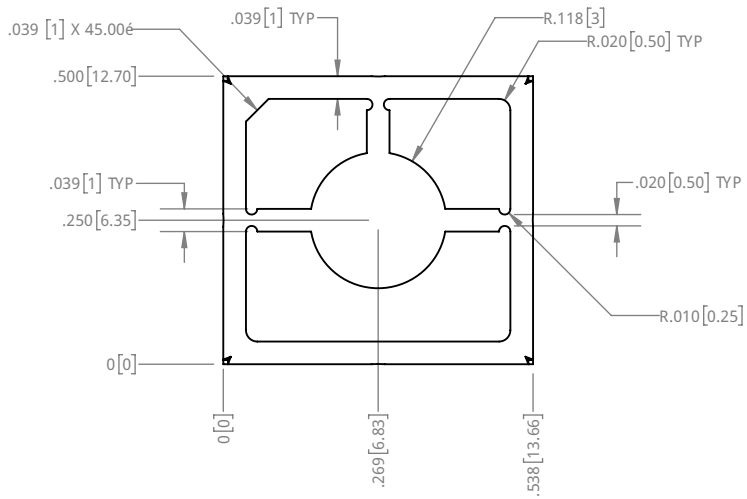


NOTES:

1. MATERIAL: 0.008" TIN PLATED STEEL PER ASTM A623/A624
2. PARTS PER REEL: 1200



TAPE AND REEL

PROPRIETARY NOTICE: THESE DRAWINGS, LISTS OR SPECIFICATIONS ARE THE CONFIDENTIAL INFORMATION AND/OR TRADE SECRET OF 3G SHIELDING SPECIALTIES, P.C. AND IS SUBJECT TO THE CONFIDENCE OF PROTECT AS AUTHORIZED BY 3G SHIELDING SPECIALTIES. IN WRITING, THESE DRAWINGS, LISTS OR SPECIFICATIONS SHALL NOT BE REPRODUCED, TRANSMITTED, USED FOR THE PHYSICAL MANUFACTURE OR SALE OF EQUIPMENT OR USED FOR ANY OTHER PURPOSE OTHER THAN EVALUATION.

UNLESS OTHERWISE SPECIFIED
U/M INCHES
TOLERANCE ± 0.005

ROHS COMPLIANCE 2011/65/EU

DATE 16-01-26



PART NUMBER PIC-S-201F	REV. 0
DESCRIPTION SHIELD FRAME	
SCALE 3:1	SHEET 1 OF 1