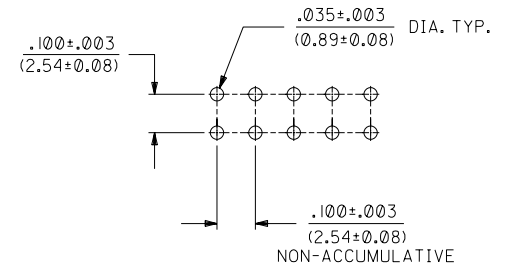


- NOTES:
- 1 - HOUSING MATERIAL: GLASS FILLED POLYESTER, UL 94V-0. COLOR: BLACK
 - 2 - TERMINAL MATERIAL: PHOSPHOR BRONZE
 - 3 - SEE ADDITIONAL SHEETS FOR CHARTS, PLATINGS, AND OVERALL DIMENSIONS
 - 4 - THIS PRODUCT CONFORMS TO PS-70181.

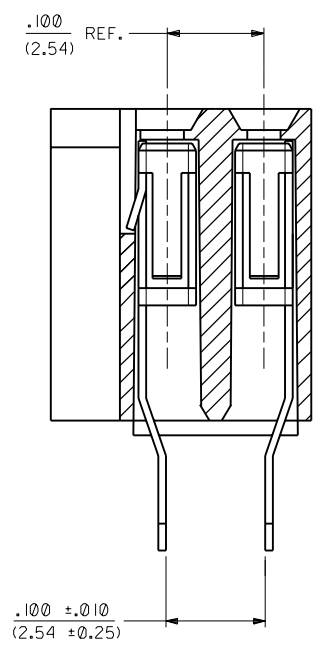
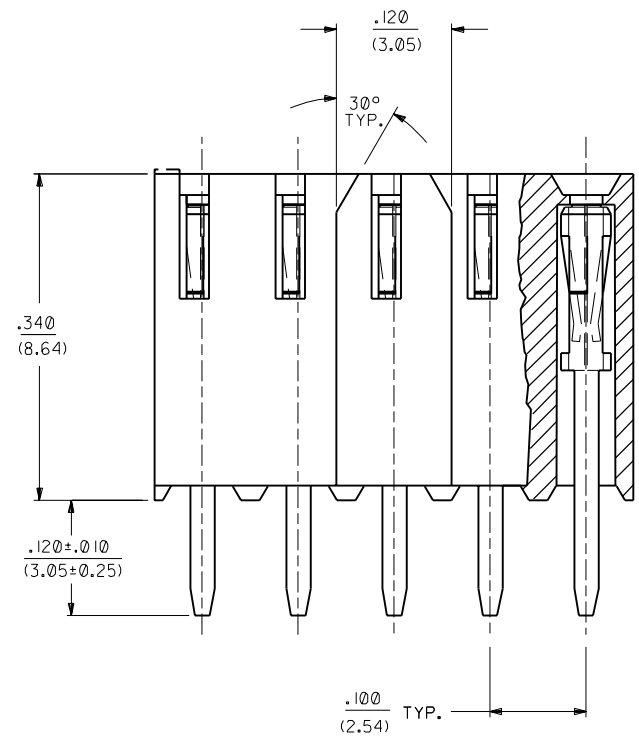
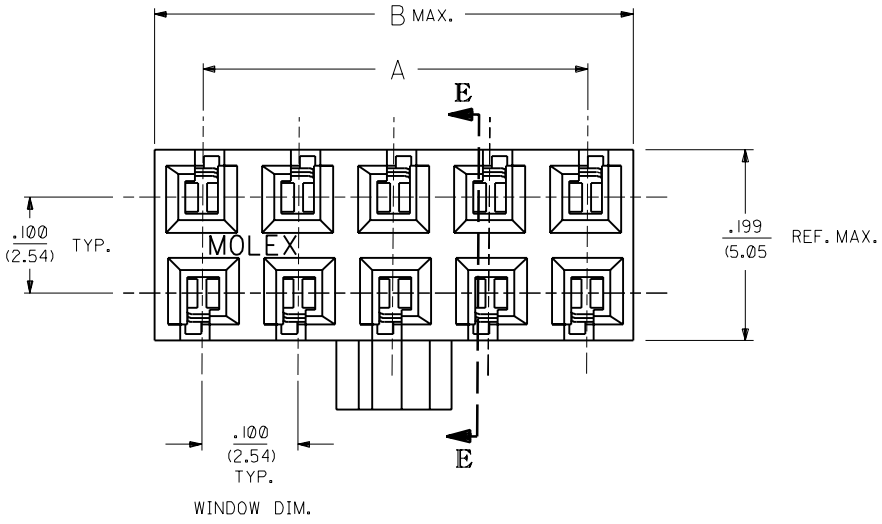


RECOMMENDED P.C. BOARD HOLE LAYOUT
SCALE = 4:1

| | |
|---|---|
| C | LEAD FREE UCP2004-1770 RWWHITE 04/04/28 |
| B | CHANGE PACK SPEC ECAF UDT2000-0503 DMORGAN 99/12/09 |
| A | REVISE PLATE & BOX PER U3 0572 09/10/93 MURPHY |

| MFG. | SH. | REV. | LTR. | REVISIONS |
|------|-----|------|------|-----------|
| 3 | C | | | |
| 2 | A | | | |
| 1 | C | | | |

| DIMENSIONS SHOWN (METRIC) INCH UNLESS OTHERWISE SPECIFIED TOLERANCES: ANGULAR ± 1/2° | | ▽ = 0 ▼ = 0 | | REVISE ONLY ON CAD SYSTEM | | | | | | | | | | | | | |
|--|--------|---|------|--|---------|--------|-----|---------|--------|--------|---------|-----|--------|---|--|-------------------------------------|--|
| <table border="1"> <tr> <th></th> <th>INCH</th> <th>METRIC</th> </tr> <tr> <td>3 PLACE</td> <td>± .010</td> <td>---</td> </tr> <tr> <td>2 PLACE</td> <td>± .014</td> <td>± 0.25</td> </tr> <tr> <td>1 PLACE</td> <td>---</td> <td>± 0.35</td> </tr> </table> | | | INCH | METRIC | 3 PLACE | ± .010 | --- | 2 PLACE | ± .014 | ± 0.25 | 1 PLACE | --- | ± 0.35 | TITLE CONNECTOR VERT MOUNT DUAL ROW (TOP ENTRY) .100 X .10 P.C TAIL GRID | | SHEET NO. U.S.A. 1 OF 3 09/10/93 | |
| | INCH | METRIC | | | | | | | | | | | | | | | |
| 3 PLACE | ± .010 | --- | | | | | | | | | | | | | | | |
| 2 PLACE | ± .014 | ± 0.25 | | | | | | | | | | | | | | | |
| 1 PLACE | --- | ± 0.35 | | | | | | | | | | | | | | | |
| DRAFT WHERE APPLICABLE MUST REMAIN WITHIN DIMENSIONS | | PART NO. MOLEX INCORPORATED LISLE, ILL. 60532 | | DRWG. NO. SDA-70192-**** | | | | | | | | | | | | | |
| DRWG. BY: PM APP'D. BY: PM | | CHK'D. BY: PM SCALE: 10:1 | | FILE NAME: SA70192X1.DGN THIS DRAWING CONTAINS INFORMATION THAT IS PROPRIETARY TO MOLEX INC. AND SHOULD NOT BE USED WITHOUT WRITTEN PERMISSION. | | | | | | | | | | | | | |



NOTES:
1 - SEE SHEET 1 FOR APPLICABLE NOTES.

SINGAPORE ONLY
OPTION -F-
WITH POLARIZING KEY

A SEE SHEET 1

| | | | | | |
|--|--|----------------------------------|--|--|--|
| DIMENSIONS SHOWN (METRIC) INCH | | ▽ = 0 ▼ = 0 | | REVISE ONLY ON CAD SYSTEM | |
| UNLESS OTHERWISE SPECIFIED TOLERANCES ANGULAR ± 1/2° | | TITLE | | | |
| 3 PLACE ± | | CONNECTOR, VERT. MOUNT, DUAL ROW | | | |
| 2 PLACE ± | | (TOP ENTRY) .100 X .100 | | | |
| 1 PLACE ± | | P.C. TAIL GRID | | | |
| DRAFT WHERE APPLICABLE MUST REMAIN WITHIN DIMENSIONS | | MOLEX INCORPORATED | | SHEET NO. DATE | |
| | | L15LEJLL 69532 U.S.A. | | 2 07/17/90 | |
| DRAWN BY: PM | | CHK'D BY: PM | | PART NO. DRWG. NO. | |
| APP'D BY: PM | | SCALE: : | | SEE CHART SDA-70192-0000 | |
| | | FILE NAME: SA70192X2.DWG | | THIS DRAWING CONTAINS INFORMATION THAT IS PROPRIETARY TO MOLEX INC. AND SHOULD NOT BE USED WITHOUT WRITTEN PERMISSION. | |

| J | CKT SIZE | | PLATING: TIN PACKAGING: PK-70873-0660 | | PLATING: 15 GOLD PACKAGING: PK-70873-0660 | | PLATING: 30 GOLD PACKAGING: PK-70873-0660 | | OPTION F ASSEMBLY TOOLED IN SINGAPORE ONLY (SEE SHEET 2 FOR GEOMETRY) | | DIM."A" | | DIM."B" | |
|----|----------|------------|--|--------------|--|--------------|--|--------------|---|---------|---------|-------|---------|--------|
| | PER ROW | TOTAL | EDP NO. | ENG NO. | EDP NO. | ENG NO. | EDP NO. | ENG NO. | EDP NO. | ENG NO. | INCH | MM | INCH | MM |
| | 02 | 04 | 15-45-1302 | A-70192-0065 | 15-44-3202 | A-70192-0129 | 15-44-4502 | A-70192-0193 | | | | .100 | 2,54 | .199 |
| 03 | 06 | 15-45-1303 | A-70192-0066 | 15-44-3203 | A-70192-0130 | 15-44-4503 | A-70192-0194 | | | | .200 | 5,08 | .299 | 7,59 |
| 04 | 08 | 15-45-1304 | A-70192-0067 | 15-44-3204 | A-70192-0131 | 15-44-4504 | A-70192-0195 | | | | .300 | 7,62 | .399 | 10,13 |
| 05 | 10 | 15-45-1305 | A-70192-0068 | 15-44-3205 | A-70192-0132 | 15-44-4505 | A-70192-0196 | | | | .400 | 10,16 | .499 | 12,67 |
| 06 | 12 | 15-45-1306 | A-70192-0069 | 15-44-3206 | A-70192-0133 | 15-44-4506 | A-70192-0197 | | | | .500 | 12,70 | .599 | 15,21 |
| 07 | 14 | 15-45-1307 | A-70192-0070 | 15-44-3207 | A-70192-0134 | 15-44-4507 | A-70192-0198 | | | | .600 | 15,24 | .699 | 17,75 |
| 08 | 16 | 15-45-1308 | A-70192-0071 | 15-44-3208 | A-70192-0135 | 15-44-4508 | A-70192-0199 | | | | .700 | 17,78 | .799 | 20,29 |
| 09 | 18 | 15-45-1309 | A-70192-0072 | 15-44-3209 | A-70192-0136 | 15-44-4509 | A-70192-0200 | | | | .800 | 20,32 | .899 | 22,83 |
| 10 | 20 | 15-45-1310 | A-70192-0073 | 15-44-3210 | A-70192-0137 | 15-44-4510 | A-70192-0201 | | | | .900 | 22,86 | .999 | 25,37 |
| 11 | 22 | 15-45-1311 | A-70192-0074 | 15-44-3211 | A-70192-0138 | 15-44-4511 | A-70192-0202 | | | | 1.000 | 25,40 | 1.099 | 27,91 |
| 12 | 24 | 15-45-1312 | A-70192-0075 | 15-44-3212 | A-70192-0139 | 15-44-4512 | A-70192-0203 | | | | 1.100 | 27,94 | 1.199 | 30,45 |
| 13 | 26 | 15-45-1313 | A-70192-0076 | 15-44-3213 | A-70192-0140 | 15-44-4513 | A-70192-0204 | | | | 1.200 | 30,48 | 1.299 | 32,99 |
| 14 | 28 | 15-45-1314 | A-70192-0077 | 15-44-3214 | A-70192-0141 | 15-44-4514 | A-70192-0205 | | | | 1.300 | 33,02 | 1.399 | 35,53 |
| 15 | 30 | 15-45-1315 | A-70192-0078 | 15-44-3215 | A-70192-0142 | 15-44-4515 | A-70192-0206 | | | | 1.400 | 35,56 | 1.499 | 38,07 |
| 16 | 32 | 15-45-1316 | A-70192-0079 | 15-44-3216 | A-70192-0143 | 15-44-4516 | A-70192-0207 | | | | 1.500 | 38,10 | 1.599 | 40,61 |
| 17 | 34 | 15-45-1317 | A-70192-0080 | 15-44-3217 | A-70192-0144 | 15-44-4517 | A-70192-0208 | | | | 1.600 | 40,64 | 1.699 | 43,15 |
| 18 | 36 | 15-45-1318 | A-70192-0081 | 15-44-3218 | A-70192-0145 | 15-44-4518 | A-70192-0209 | | | | 1.700 | 43,18 | 1.799 | 45,69 |
| 19 | 38 | 15-45-1319 | A-70192-0082 | 15-44-3219 | A-70192-0146 | 15-44-4519 | A-70192-0210 | | | | 1.800 | 45,72 | 1.899 | 48,23 |
| 20 | 40 | 15-45-1320 | A-70192-0083 | 15-44-3220 | A-70192-0147 | 15-44-4520 | A-70192-0211 | | | | 1.900 | 48,26 | 1.999 | 50,77 |
| 21 | 42 | 15-45-1321 | A-70192-0084 | 15-44-3221 | A-70192-0148 | 15-44-4521 | A-70192-0212 | | | | 2.000 | 50,80 | 2.099 | 53,31 |
| 22 | 44 | 15-45-1322 | A-70192-0085 | 15-44-3222 | A-70192-0149 | 15-44-4522 | A-70192-0213 | | | | 2.100 | 53,34 | 2.199 | 55,85 |
| 23 | 46 | 15-45-1323 | A-70192-0086 | 15-44-3223 | A-70192-0150 | 15-44-4523 | A-70192-0214 | | | | 2.200 | 55,88 | 2.299 | 58,39 |
| 24 | 48 | 15-45-1324 | A-70192-0087 | 15-44-3224 | A-70192-0151 | 15-44-4524 | A-70192-0215 | | | | 2.300 | 58,42 | 2.399 | 60,93 |
| 25 | 50 | 15-45-1325 | A-70192-0088 | 15-44-3225 | A-70192-0152 | 15-44-4525 | A-70192-0216 | 15-44-6625 | A-70192-0280 | | 2.400 | 60,96 | 2.499 | 63,47 |
| 26 | 52 | 15-45-1326 | A-70192-0089 | 15-44-3226 | A-70192-0153 | 15-44-4526 | A-70192-0217 | | | | 2.500 | 63,50 | 2.599 | 66,01 |
| 27 | 54 | 15-45-1327 | A-70192-0090 | 15-44-3227 | A-70192-0154 | 15-44-4527 | A-70192-0218 | | | | 2.600 | 66,04 | 2.699 | 68,55 |
| 28 | 56 | 15-45-1328 | A-70192-0091 | 15-44-3228 | A-70192-0155 | 15-44-4528 | A-70192-0219 | | | | 2.700 | 68,58 | 2.799 | 71,09 |
| 29 | 58 | 15-45-1329 | A-70192-0092 | 15-44-3229 | A-70192-0156 | 15-44-4529 | A-70192-0220 | | | | 2.800 | 71,12 | 2.899 | 73,63 |
| 30 | 60 | 15-45-1330 | A-70192-0093 | 15-44-3230 | A-70192-0157 | 15-44-4530 | A-70192-0221 | | | | 2.900 | 73,66 | 2.999 | 76,17 |
| 31 | 62 | 15-45-1331 | A-70192-0094 | 15-44-3231 | A-70192-0158 | 15-44-4531 | A-70192-0222 | | | | 3.000 | 76,20 | 3.099 | 78,71 |
| 32 | 64 | 15-45-1332 | A-70192-0095 | 15-44-3232 | A-70192-0159 | 15-44-4532 | A-70192-0223 | | | | 3.100 | 78,74 | 3.199 | 81,25 |
| 33 | 66 | 15-45-1333 | A-70192-0096 | 15-44-3233 | A-70192-0160 | 15-44-4533 | A-70192-0224 | | | | 3.200 | 81,28 | 3.299 | 83,79 |
| 34 | 68 | 15-45-1334 | A-70192-0097 | 15-44-3234 | A-70192-0161 | 15-44-4534 | A-70192-0225 | | | | 3.300 | 83,82 | 3.399 | 86,33 |
| 35 | 70 | 15-45-1335 | A-70192-0098 | 15-44-3235 | A-70192-0162 | 15-44-4535 | A-70192-0226 | | | | 3.400 | 86,36 | 3.499 | 88,87 |
| 36 | 72 | 15-45-1336 | A-70192-0099 | 15-44-3236 | A-70192-0163 | 15-44-4536 | A-70192-0227 | | | | 3.500 | 88,90 | 3.599 | 91,41 |
| 37 | 74 | 15-45-1337 | A-70192-0100 | 15-44-3237 | A-70192-0164 | 15-44-4537 | A-70192-0228 | | | | 3.600 | 91,44 | 3.699 | 93,95 |
| 38 | 76 | 15-45-1338 | A-70192-0101 | 15-44-3238 | A-70192-0165 | 15-44-4538 | A-70192-0229 | | | | 3.700 | 93,98 | 3.799 | 96,49 |
| 39 | 78 | 15-45-1339 | A-70192-0102 | 15-44-3239 | A-70192-0166 | 15-44-4539 | A-70192-0230 | | | | 3.800 | 96,52 | 3.899 | 99,03 |
| 40 | 80 | 15-45-1340 | A-70192-0103 | 15-44-3240 | A-70192-0167 | 15-44-4540 | A-70192-0231 | | | | 3.900 | 99,06 | 3.999 | 101,57 |

C

B
 *THE PRIMARY SHIPPING CARTON WILL BE LABELED "COMPLIANT TO
 RoHS DIRECTIVE 2002/95/EC AND ELV ANNEX II OF DIRECTIVE 2000/53/EC".
 CARTONS WITHOUT THIS LABEL MAY CONTAIN PRODUCT WITH LEAD.

A
 PLATING:
 TIN (3.75 MICROMETER)/150 MICROINCH MINIMUM TIN OVER
 (1.25 MICROMETER)/50 MICROINCH MINIMUM NICKEL OVERALL.
 15 GOLD (0.37 MICROMETER)/15 MICROINCH MINIMUM SELECTIVE GOLD IN THE CONTACT AREA;
 (1.88 MICROMETER)/75 MICROINCH MINIMUM SELECTIVE TIN IN THE PC TAIL AREA OVER
 (1.25 MICROMETER)/50 MICROINCH MINIMUM NICKEL OVERALL.
 30 GOLD (0.75 MICROMETER)/30 MICROINCH MINIMUM SELECTIVE GOLD IN THE CONTACT AREA;
 (1.88 MICROMETER)/75 MICROINCH MINIMUM SELECTIVE TIN IN THE PC TAIL AREA OVER
 (1.25 MICROMETER)/50 MICROINCH MINIMUM NICKEL OVERALL.

| | | | |
|-----------|-----|-----------|--------|
| DRWG. BY | T.M | CHK'D. BY | MGB |
| APP'D. BY | MGB | SCALE | 10 : 1 |

DRWG. NO. SDA-70192-***
 FILE NAME SA70192X3
 THIS DRAWING CONTAINS INFORMATION THAT IS PROPRIETARY TO MOLEX INC. AND SHOULD NOT BE USED WITHOUT WRITTEN PERMISSION.

UNLESS OTHERWISE SPECIFIED TOLERANCES: ANGULAR ± 1/2°
 DIMENSIONS SHOWN (METRIC) INCH
 5 PLACE ±
 2 PLACE ±
 1 PLACE ±
 DRAFT WHERE APPLICABLE MUST REMAIN WITHIN DIMENSIONS

SEE SHEET 1
 SEE SHEET 1
 SEE SHEET 1

REVISIONS LTR. REVISIONS LTR.