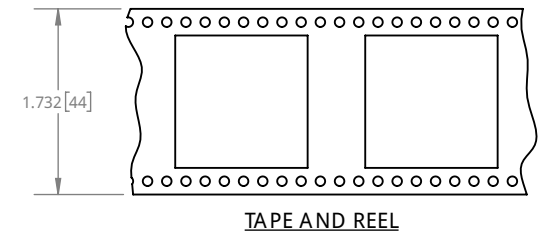
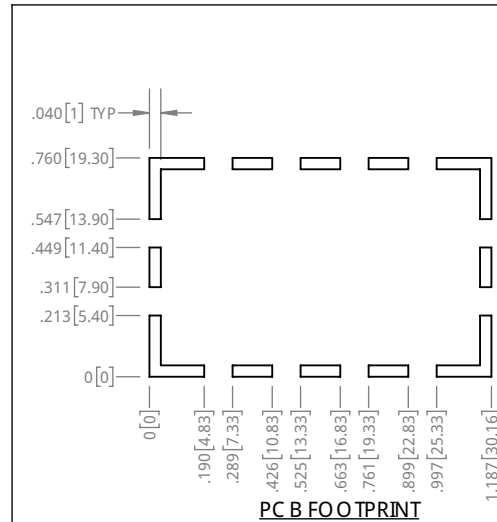
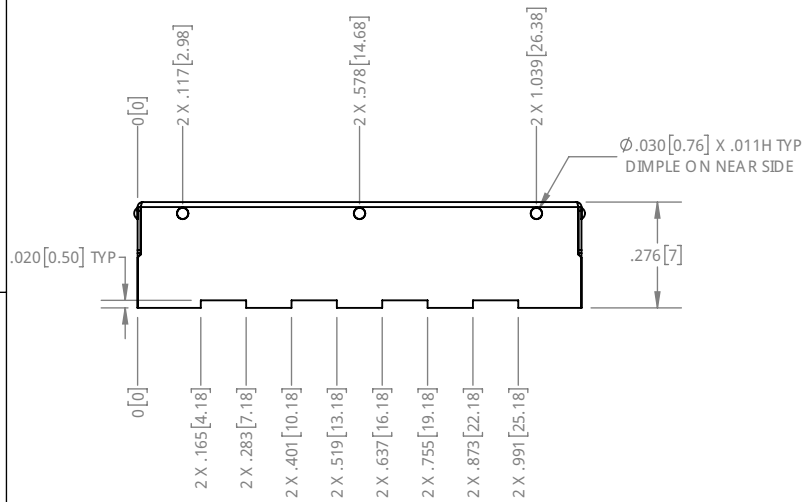
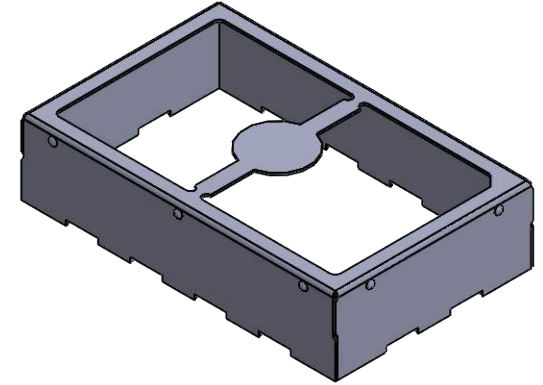
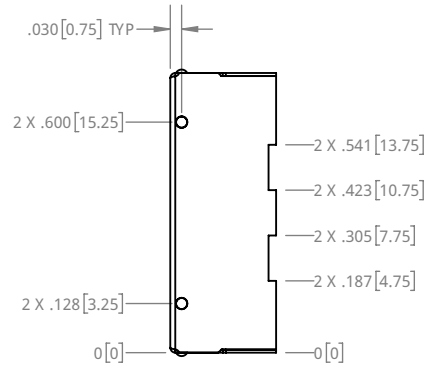
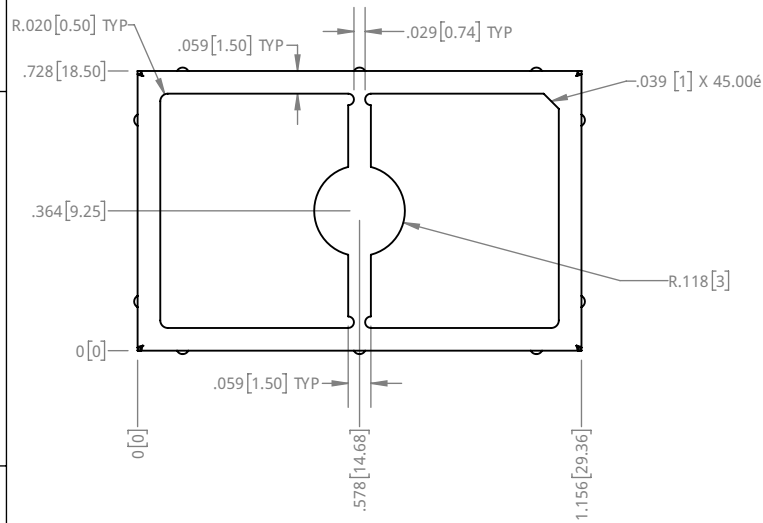


NOTES:

1. MATERIAL: 0.008" NIC KEL SILVER
2. PARTS PER REEL: 200



QE 14204

PROPRIETARY NOTICE: THESE DRAWINGS, LISTS OR SPECIFICATIONS ARE THE CONFIDENTIAL INFORMATION AND/OR TRADE SECRETS OF 3G SHIELDING SPECIALTIES, P., AND USUALLY IN STRICT CONFIDENCE. PROPRIETARY RIGHTS ARE RESERVED BY 3G SHIELDING SPECIALTIES, P. IN THESE DRAWINGS, LISTS OR SPECIFICATIONS SHALL NOT BE REPRODUCED, TRANSMITTED, USED FOR THE PHYSICAL MANUFACTURE OR SALE OF EQUIPMENT OR USED FOR ANY OTHER PURPOSE OTHER THAN EVALUATION.

UNLESS OTHERWISE SPECIFIED U/M TOLERANCE IN CHES ±0.005	
DATE	19-02-27



PART NUMBER	REV.
PIC-N-209F	0
DESCRIPTION SHIELD FRAME	
SCALE	SHEET
2:1	1 OF 1