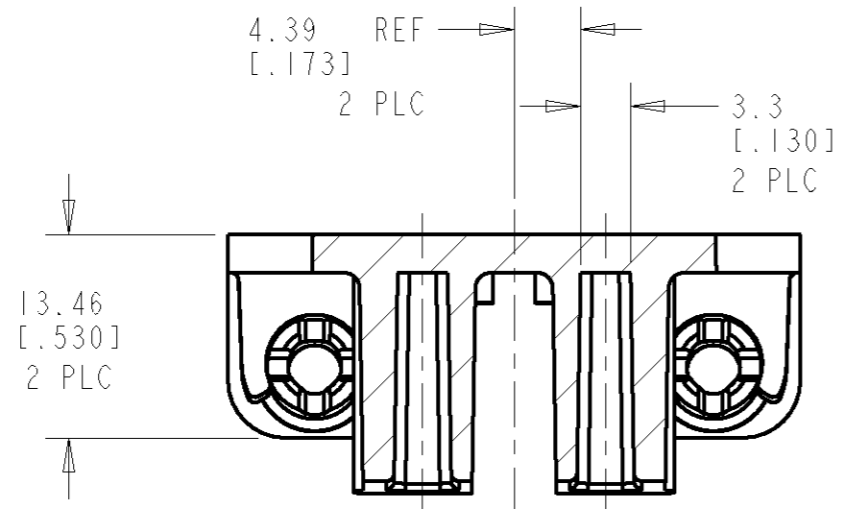
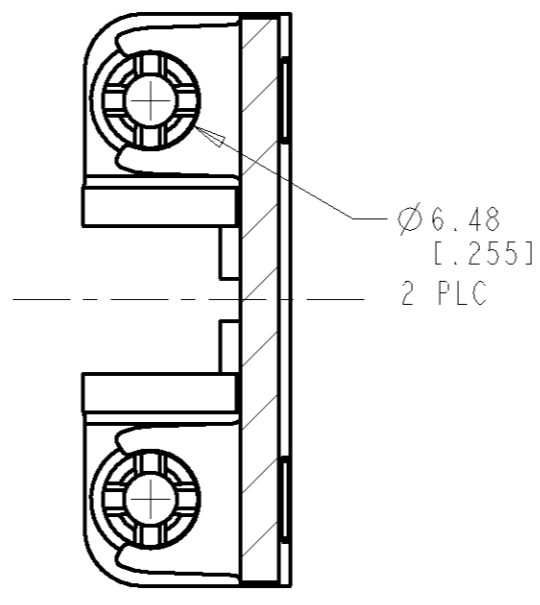


THIS DRAWING IS UNPUBLISHED. RELEASED FOR PUBLICATION .19
 © COPYRIGHT 19 BY AMP INCORPORATED. ALL RIGHTS RESERVED.

LOC	DIST	REVISIONS					
AD	14	P	LTR	DESCRIPTION	DATE	DWN	APVD
		0		RELEASED	05MAY98	AV	VR
		A		REVISED PER EC 0651 0000 98	19MAY98	AV	VR
		A1		REVISED PER ECO-09-027197	10DEC09	KK	AEG

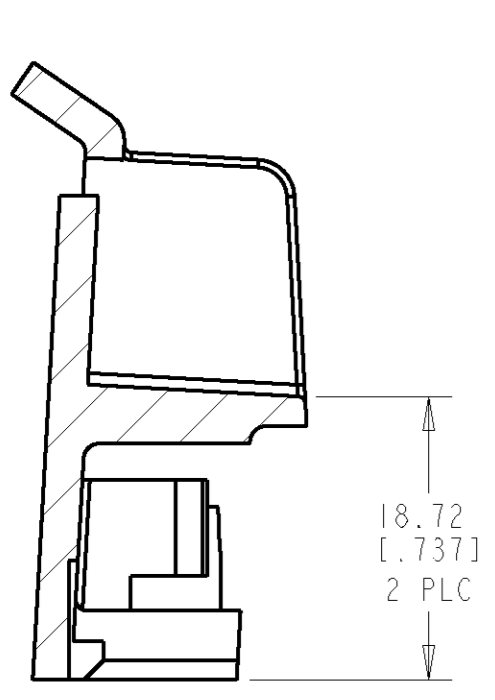


SECTION X-X

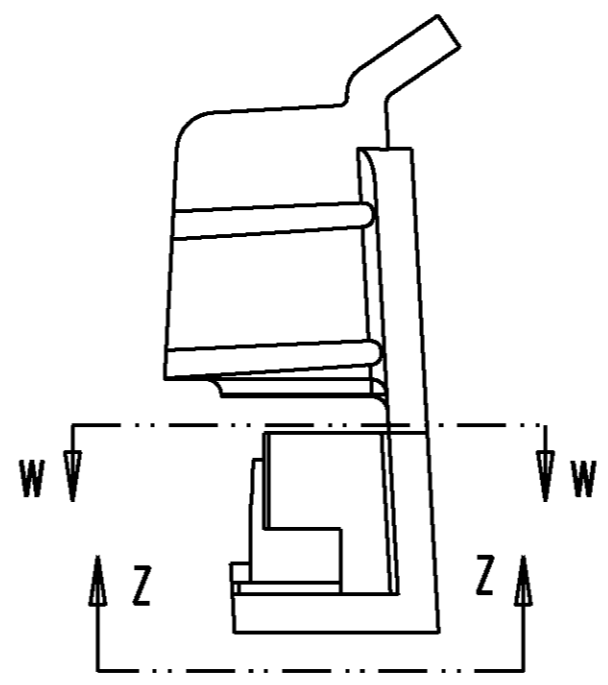
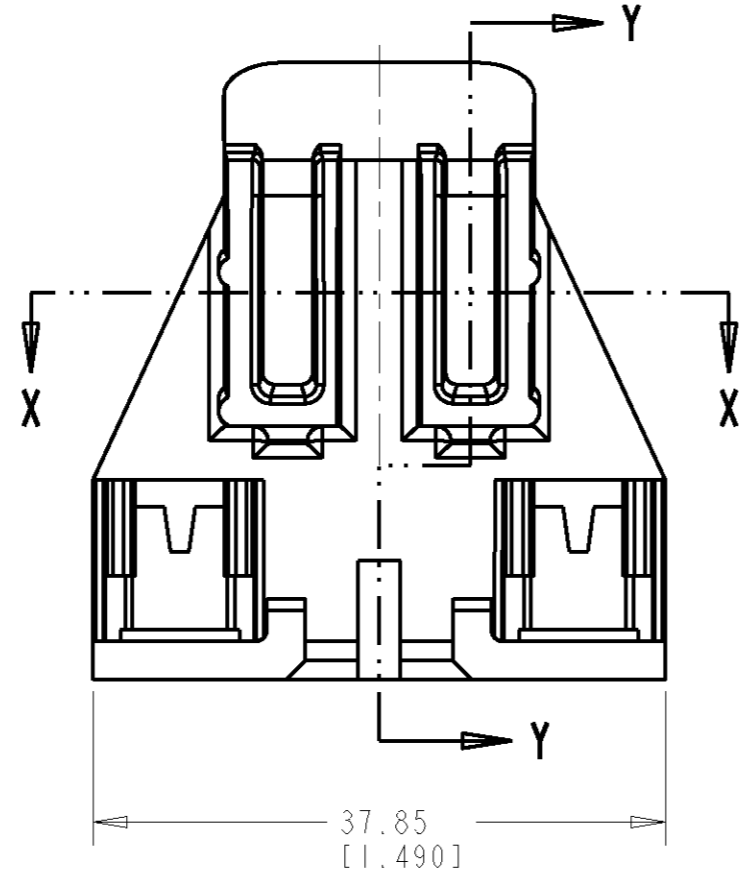


SECTION W-W

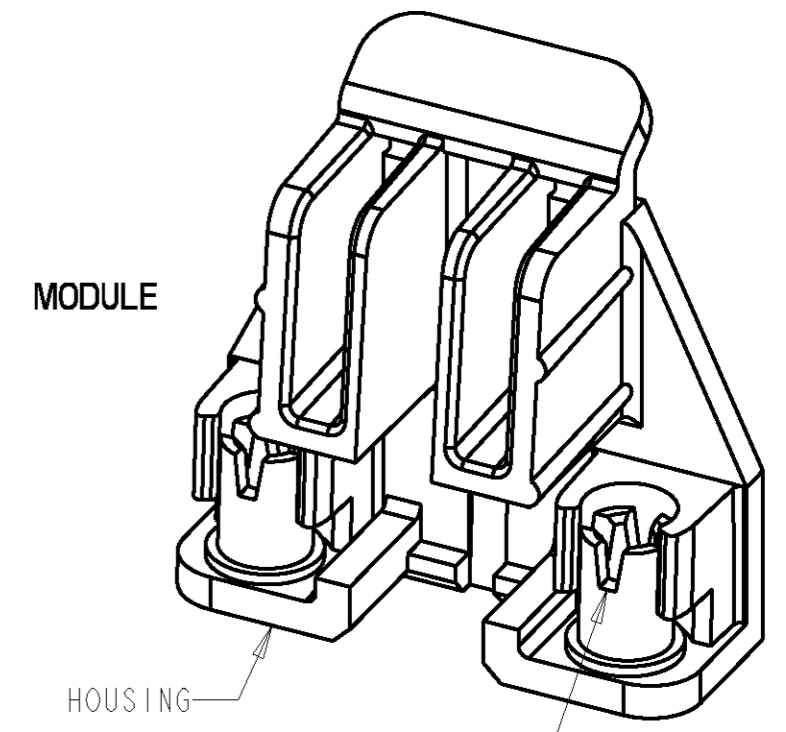
- 1 RETENTION MODULE: POLYCARBONATE, BLACK, UL 94-V0 RATED; SLOTTED CAPTIVE FASTENER: BRASS-COPPER ALLOY.
- 2 DATUM AND BASIC DIMENSION ESTABLISHED BY CUSTOMER.
- 3. BULK PACKAGED IN PARTITIONED BOXES.
- 4 KIT CONSISTS OF 2 MODULES, 2 MODULES ARE REQUIRED FOR ONE PROCESSOR.
- 5 CONSISTS OF ONLY ONE MODULE, 2 MODULES ARE REQUIRED FOR ONE PROCESSOR.
- 6 OBSOLETE PARTS: OBSOLETE CIS STREAMLINING PER D.RENAUD/D.SINISI



SECTION Y-Y



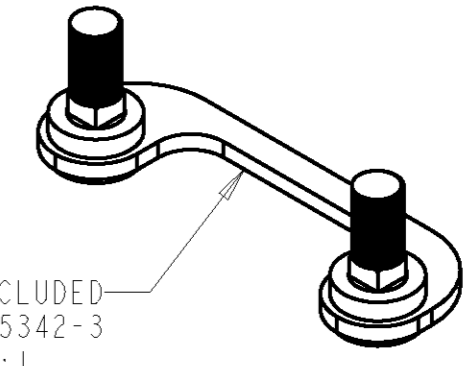
VIEW Z-Z



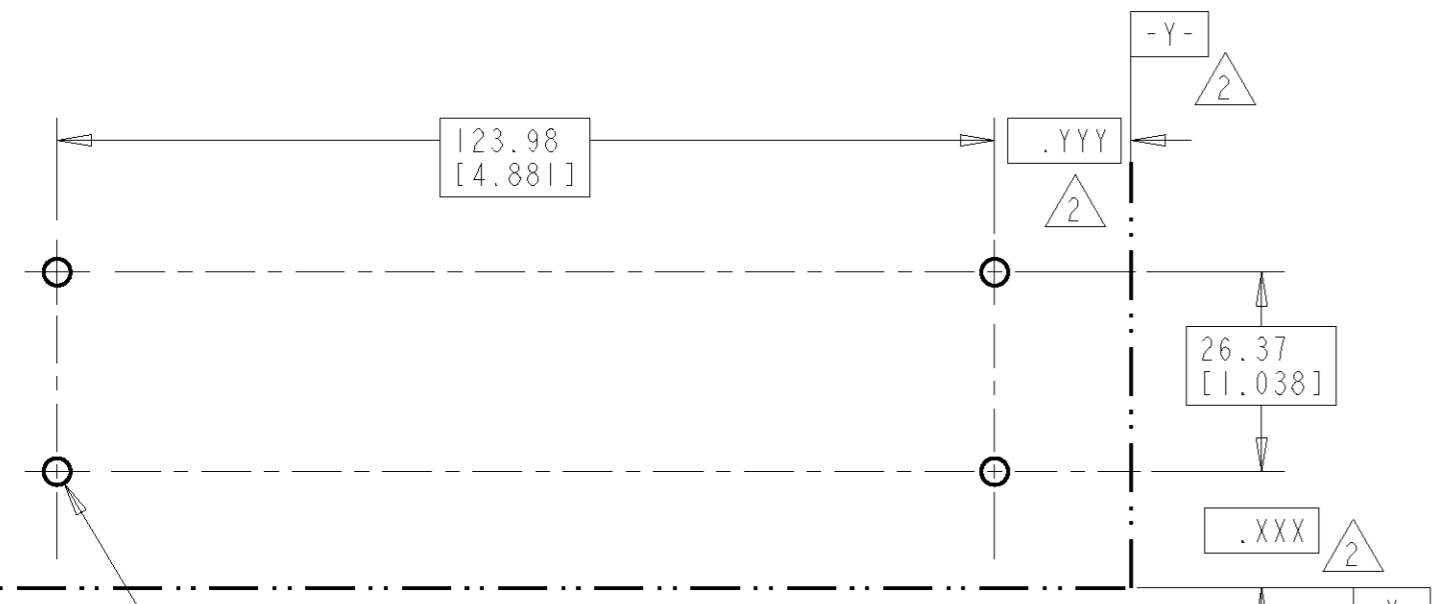
MODULE

HOUSING

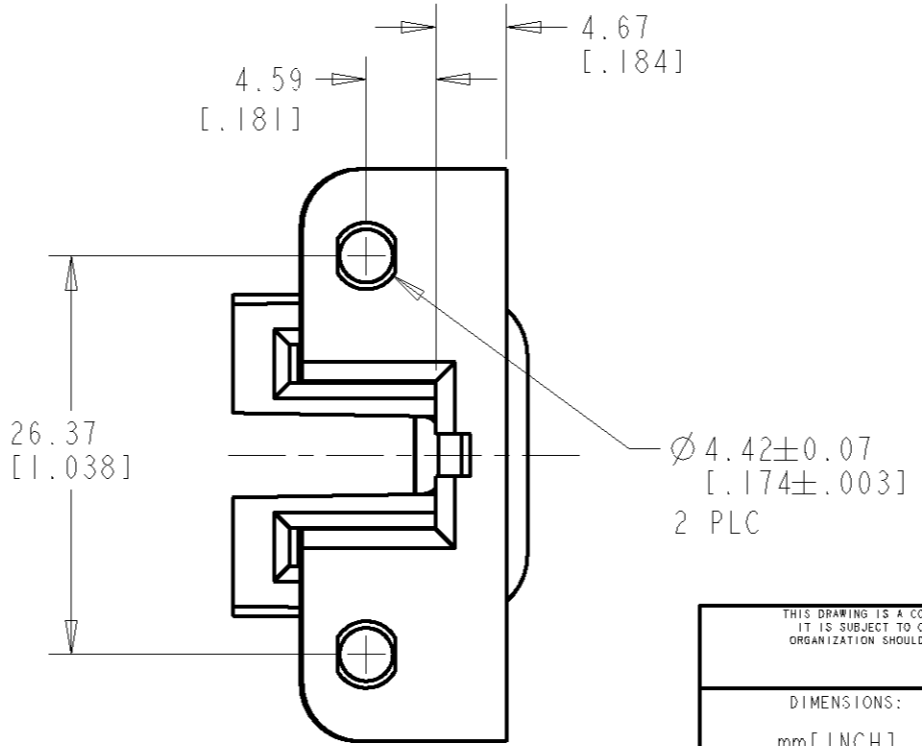
CAPTIVE FASTENER
 6-32UNC-2B, SLOTTED
 QTY 2 PER MODULE



STUD BRIDGE, 2 INCLUDED
 WITH KIT 145342-3
 SCALE 2:1



RECOMMENDED PC BOARD LAYOUT
 RECOMMENDED THICKNESS 1.57±0.15 [.062±.006]
 SCALE 1:1



<small>THIS DRAWING IS A CONTROLLED DOCUMENT FOR AMP INCORPORATED. IT IS SUBJECT TO CHANGE AND THE CONTROLLING ENGINEERING ORGANIZATION SHOULD BE CONTACTED FOR THE LATEST REVISION.</small>		DWN A. VASBINDER 05MAY98	AMP Incorporated Harrisburg, PA 17105-3608	
DIMENSIONS: mm [INCH]		CHK A. VASBINDER 05MAY98	NAME AMP RETENTION MODULE KIT WITH CAPTIVE FASTENERS	
TOLERANCES UNLESS OTHERWISE SPECIFIED: 0 PLC ± 1 PLC ± 2 PLC ± 3 PLC ±0.13 [.005] 4 PLC ± ANGLES ±° FINISH		APVD V. RUMINSKI	SIZE A2	
MATERIAL: 1		PRODUCT SPEC -	CAGE CODE 00779	DRAWING NO. 145342
CUSTOMER DRAWING		APPLICATION SPEC -	RESTRICTED TO -	SCALE 2:1 SHEET 1 OF 1 REV A1