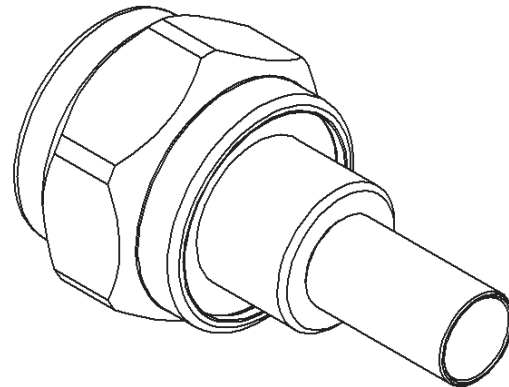
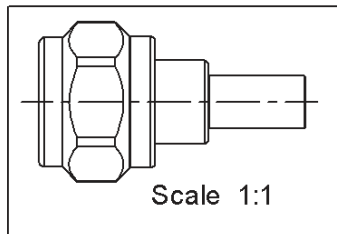
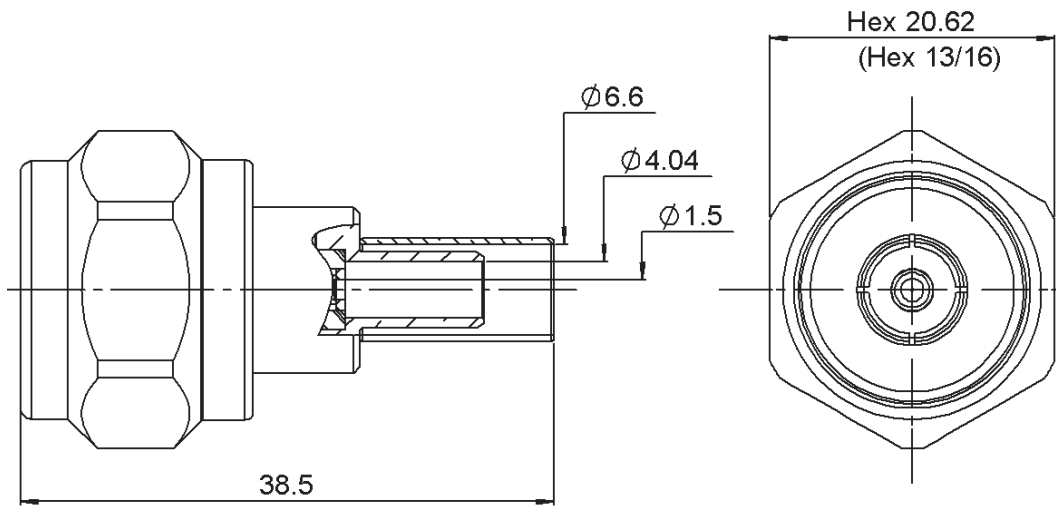
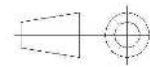


PAGE 1/2	ISSUE 1405 B	SERIES N	PART NUMBER <b>R161075030</b>
----------	--------------	----------	-------------------------------



All dimensions are in mm.



COMPONENTS	MATERIALS	PLATING (µm)
Body	<b>BRASS</b>	<b>BBR 2</b>
Center contact	<b>BRASS</b>	<b>GOLD 0.8 OVER NICKEL 2</b>
Outer contact	<b>BRASS</b>	<b>BBR 2</b>
Insulator	<b>PTFE</b>	
Gasket	<b>ELASTOMERE SILICONE</b>	
Others parts	<b>BRASS</b>	<b>BBR 2</b>
-	-	-
-	-	-

PAGE 2/2	ISSUE 1405 B	SERIES N	PART NUMBER <b>R161075030</b>
----------	--------------	----------	-------------------------------

**PACKAGING**

Standard	Unit	Other
<b>50</b>	<b>Contact us</b>	<b>Contact us</b>

**ELECTRICAL CHARACTERISTICS**

Impedance	<b>50</b>	Ω
Frequency	<b>0-11</b>	GHz
VSWR	<b>1.3 + 0.0000</b>	x F(GHz) Maxi
Insertion loss	<b>0.048</b>	√F(GHz) dB Maxi
RF leakage	<b>NA</b>	- F(GHz) dB Maxi
Voltage rating	<b>850</b>	Veff Maxi
Dielectric withstanding voltage	<b>1500</b>	Veff mini
Insulation resistance	<b>5000</b>	MΩ mini

**MECHANICAL CHARACTERISTICS**

Center contact retention		
Axial force – Mating End	<b>27</b>	N mini
Axial force – Opposite end	<b>27</b>	N mini
Torque	<b>NA</b>	N.cm mini
Recommended torque		
Mating	<b>130</b>	N.cm
Panel nut	<b>NA</b>	N.cm
Clamp nut	<b>450</b>	N.cm
A/F clamp nut	<b>11.0000</b>	mm
Mating life	<b>500</b>	Cycles mini
Weight	<b>31.1900</b>	g

**ENVIRONMENTAL**

Operating temperature	<b>-55/+155</b>	°C
Hermetic seal	<b>NA</b>	Atm.cm3/s
Panel leakage	<b>NA</b>	

**SPECIFICATION**

**CABLE ASSEMBLY**

Stripping	a	b	c	d	e	f
mm	<b>5.2</b>	<b>10.3</b>	<b>16.8</b>	<b>0</b>	<b>11.6</b>	<b>0</b>

Assembly instruction: **Crimp 02\***

Recommended cable(s)  
**LMR 240**  
**AEP-240FR**

Characteristics indicated on this data sheet are those that can be achieved with the highest performance cable. Intrinsic limitations of the cable may diminish the performance of the assembly

Cable retention

- pull off	<b>300</b>	N mini
- torque	<b>NA</b>	N.cm

**TOOLING**

Part Number	Description	Hexagon
R282223000	CRIMPING TOOL	1.73, 6.48
R282235013	CRIMPING DIES	1.73, 6.48
R282293000	CRIMPING TOOL M22520/5-01	

**OTHER CHARACTERISTICS**

**\*prior to step two of Crimp 02, slide disk insulator onto center conductor, and bottom contact on disk insulator**