
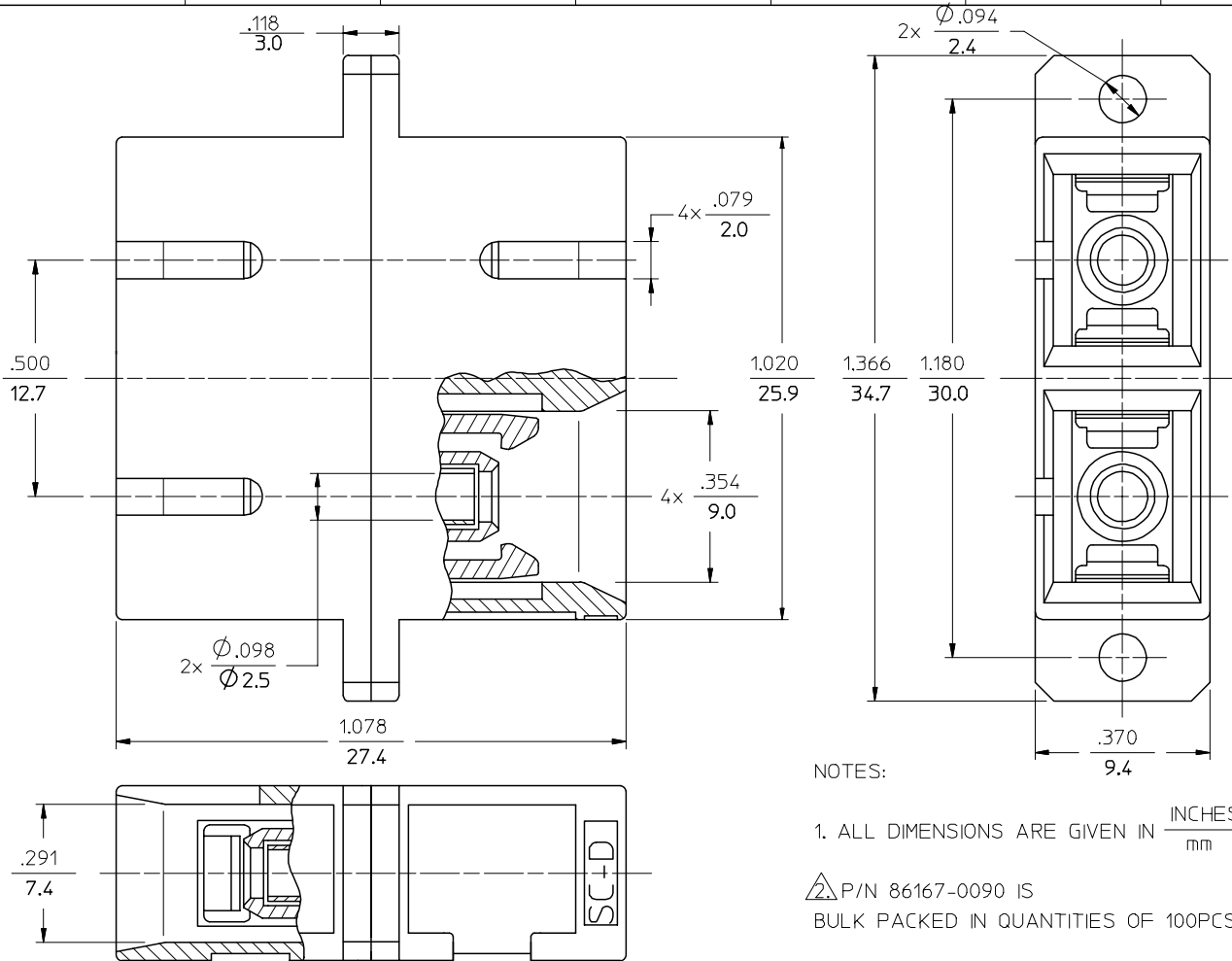

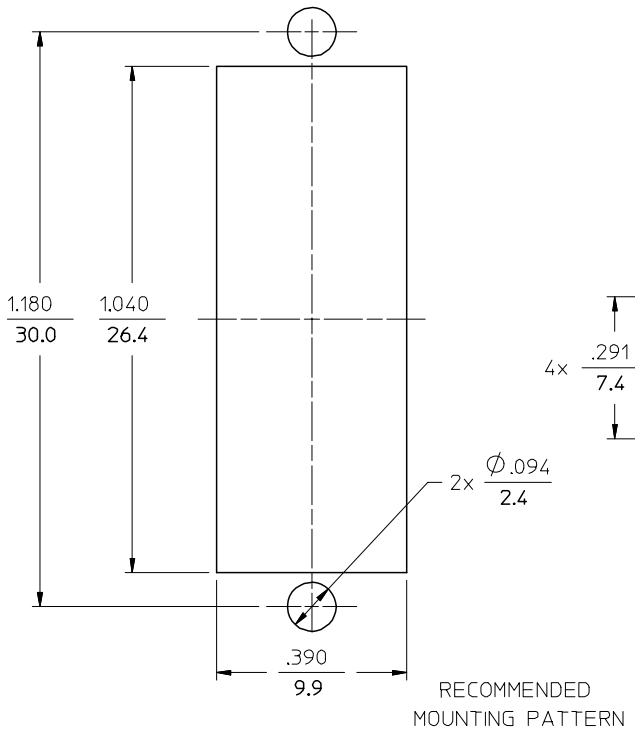




P/N OF ADAPTER	MATERIAL OF SLEEVE	TYPE	COLOR
86166-0000	ZR	SINGLE MODE	BLUE
86167-0000	PHOSPHOR BRONZE		
86167-0090 	PHOSPHOR BRONZE	SINGLE MODE	RED
86166-0040	ZR	SINGLE MODE	RED
86167-0040	PHOSPHOR BRONZE		
86168-0030	ZR	SINGLE MODE	BLACK
86169-0030	PHOSPHOR BRONZE		
86167-0070	PHOSPHOR BRONZE	MULTIMODE	AQUA



NOTES:
 1. ALL DIMENSIONS ARE GIVEN IN $\frac{\text{INCHES}}{\text{mm}}$.
 P/N 86167-0090 IS BULK PACKED IN QUANTITIES OF 100PCS.



ENTER DESCRIPTION EC NO: MF2007-0638 DRWNG: DRWNGKPEVNER CHKD: 2007/05/10 APPR: IGUMIN 2007/05/15	QUALITY SYMBOLS  = 0  = 0	GENERAL TOLERANCES (UNLESS SPECIFIED) <table border="1"> <thead> <tr> <th></th> <th>mm</th> <th>INCH</th> </tr> </thead> <tbody> <tr> <td>4 PLACES</td> <td>± ---</td> <td>± ---</td> </tr> <tr> <td>3 PLACES</td> <td>± ---</td> <td>± ---</td> </tr> <tr> <td>2 PLACES</td> <td>± ---</td> <td>± ---</td> </tr> <tr> <td>1 PLACE</td> <td>± ---</td> <td>± ---</td> </tr> </tbody> </table> ANGULAR ±1/2°		mm	INCH	4 PLACES	± ---	± ---	3 PLACES	± ---	± ---	2 PLACES	± ---	± ---	1 PLACE	± ---	± ---	DIMENSION STYLE IN/MM	SCALE 4:1	DESIGN UNITS INCH	THIRD ANGLE PROJECTION
		mm	INCH																		
	4 PLACES	± ---	± ---																		
	3 PLACES	± ---	± ---																		
2 PLACES	± ---	± ---																			
1 PLACE	± ---	± ---																			
DRAWN BY CHECKED BY APPROVED BY	DATE DATE DATE	TITLE DUPLEX ADAPTER (SC-D)	MOLEX INCORPORATED																		
MATERIAL NO. SEE TABLE	DOCUMENT NO. 8616X-00X0CD	SHEET NO. 1 OF 1	THIS DRAWING CONTAINS INFORMATION THAT IS PROPRIETARY TO MOLEX INCORPORATED AND SHOULD NOT BE USED WITHOUT WRITTEN PERMISSION																		
DRAFT WHERE APPLICABLE MUST REMAIN WITHIN DIMENSIONS	SIZE B																				