

Multiple Gang Cable Tie Mount

specifications

Cable tie mount shall provide securement of cable bundles using a cable tie while maintaining at least one inch separation between the cable and mounting surface. The mount shall be secured to a flat surface using one screw installed through the center of the mount. Cable tie mount shall incorporate dovetail construction to facilitate the fast positioning and securement of multiple mounts to a surface. Multiple mounts placed side-by-side shall allow cables to be spaced closely together, and shall maintain cable spacing of one inch center-to-center.



technical information

Dimensions:	1.09" (27.6mm) Length 0.90" (22.9mm) Width 1.27" (32.1mm) Height
Material:	Black Weather Resistant Nylon 6.6
Continuous temperature range:	-31°F (-35°C) to 185°F (85°C)
Environmental compliance:	RoHS compliant
Application environment:	Indoor or outdoor use
Flammability Rating:	V-2

key features and benefits

Fixed bundle separation	Provides one inch offset from mounting surface; allows for one inch separation between adjacent cables to avoid abrasion or interference, ensuring reliable cable performance
Dovetail connection	Allows multiple mounts to be attached together to facilitate fast installation; permits expanded routing capabilities
Rugged design	Accommodates rough handling and increased installation loads
Mounting features	Engineered for center screw installation with one ¼" (M6) screw; when configured with other mounts using dovetail, it will allow installation with fewer screws for improved productivity

applications

This multiple gang cable tie mount is used to fasten wiring and cables at one inch above a mounting surface and spaced equal distances (one inch center-to-center) from each other.

This is particularly beneficial for medium to high voltage cables to address corona and other electrical effects.

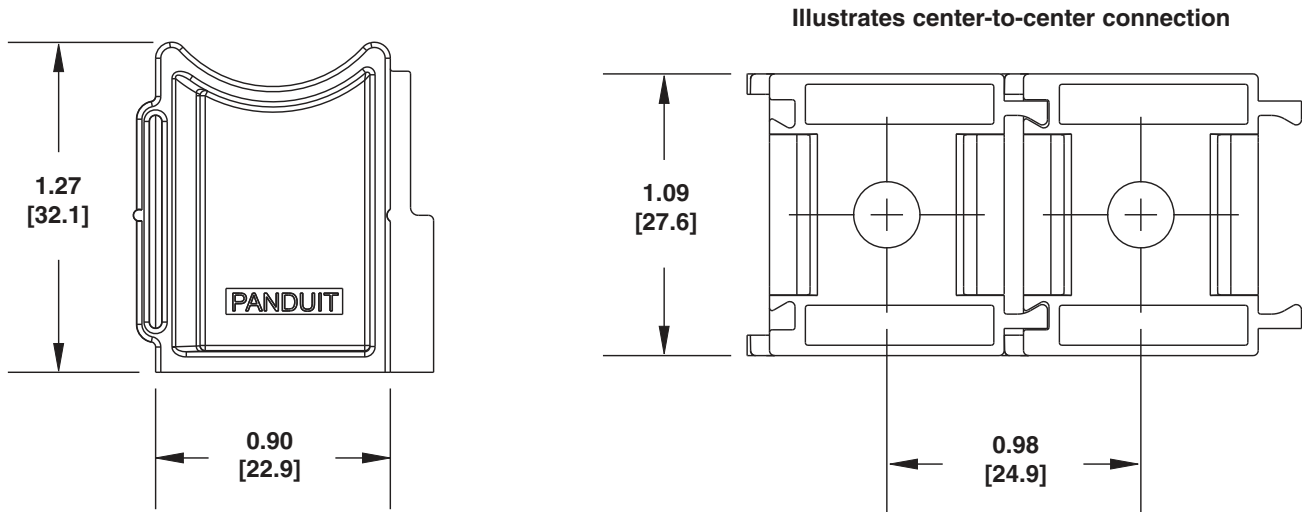
Cable Tie Mount

Multiple Gang Cable Tie Mount: OMTM-S25-C0

Recommended Cable Ties

Use with Pan-Ty®, Dome-Top® Barb Ty, Contour-Ty®, or Super-Grip™ Cable Ties

Multiple Gang Cable Tie Mount



Dimensions are in inches. [Dimensions in brackets are metric].

Ordering Information

Part Number	Used with Cable Ties‡	Material	Color	Where Used	Mounting Method	Std. Pkg. Qty.	Std. Ctn. Qty.
OMTM-S25-C0	M, I, S, LH*	Weather Resistant Nylon 6.6	Black	Indoors/Outdoors	1/4" (M6) Screw	100	500

‡ Cable Tie Cross Section Sizes: M = Miniature, I = Intermediate, S = Standard.

*Recommended for use with LH (Light-Heavy) cross section cable ties when cable tie passes around two adjacent rungs.

Related Products



**Lugs and Power Connectors
LCA and LCAX Series**

UL and CSA Listed
Compression Power
Connectors for Code
and Flex Cable



**Parallel Cable Spacer
CSEH15A30-C0**

Separates and supports
cables safely



**Thick Wall Heat Shrink
HST Series**

Seals and insulates in one
step to speed installation



**Barbed and All-Plastic
Cable Ties BT and PLT Series**

Bundles cables
consistently and reliably

WORLDWIDE SUBSIDIARIES AND SALES OFFICES

PANDUIT CANADA
Markham, Ontario
cs-cdn@panduit.com
Phone: 800.777.3300

PANDUIT EUROPE LTD.
London, UK
cs-emea@panduit.com
Phone: 44.20.8601.7200

PANDUIT SINGAPORE PTE. LTD.
Republic of Singapore
cs-ap@panduit.com
Phone: 65.6305.7575

PANDUIT JAPAN
Tokyo, Japan
cs-japan@panduit.com
Phone: 81.3.6863.6000

PANDUIT LATIN AMERICA
Guadalajara, Mexico
cs-la@panduit.com
Phone: 52.33.3777.6000

PANDUIT AUSTRALIA PTY. LTD.
Victoria, Australia
cs-aus@panduit.com
Phone: 61.3.9794.9020

For a copy of Panduit product warranties, log on to www.panduit.com/warranty

For more information

Visit us at www.panduit.com

Contact Customer Service by email: cs@panduit.com
or by phone: 800.777.3300 and reference WW-WASP18

PANDUIT®

©2010 Panduit Corp.
ALL RIGHTS RESERVED.

WW-WASP18
12/2010