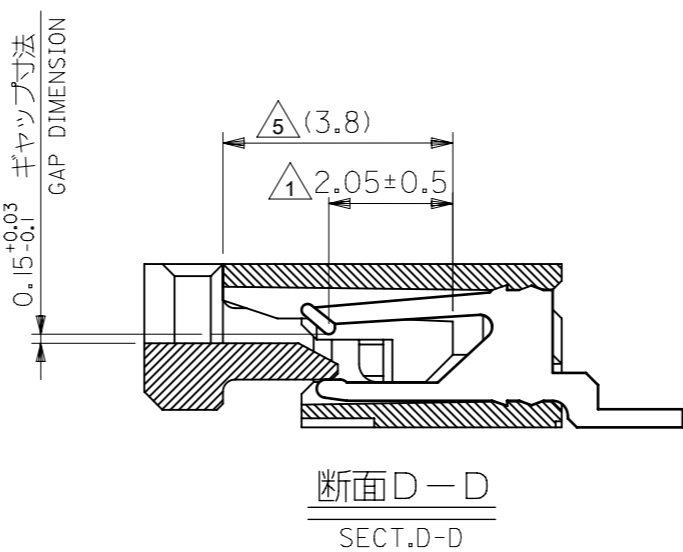
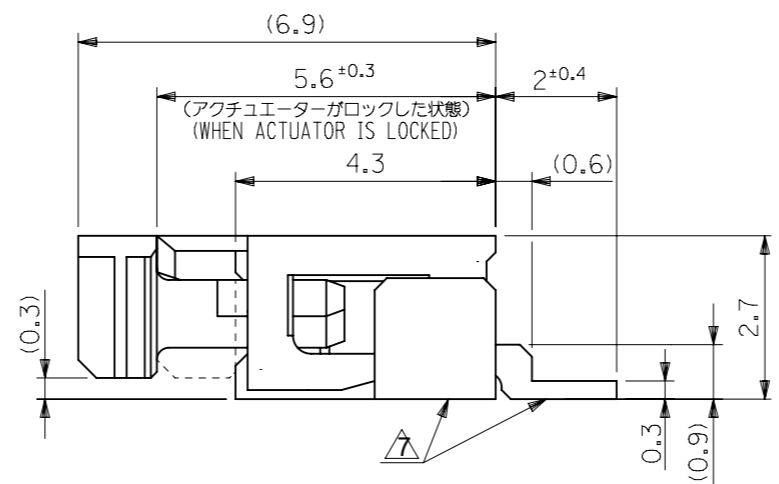


注記: NOTES

1. 接点部までの嵌合長さ。
MATING LENGTH TO CONTACT POINT.
2. 使用材料 MATERIAL
 ハウジング : 46ナイロン(耐熱性) , UL94V-0
 HOUSING : HEAT-RESISTANT NYLON46, UL94V-0
 アクチュエータ : PPS , UL94V-0
 ACTUATOR : PPS, UL94V-0
 ターミナル : リン青銅(t=0.32)
 TERMINAL : PHOS-BRO(t = 0.32)
 メッキ : 金メッキ 0.1マイクロメートル以上
 接点部 : 金メッキ 0.1マイクロメートル以上
 半田付け部 : 錫メッキ 1.0マイクロメートル以上
 下地メッキ : NICKEL 1.0マイクロメートル以上
 FITTING NAIL : PHOS-BRO(t = 0.25)
 PLATED : TIN 1.0 MICROMETER MIN.
 OVER PLATED : NICKEL PLATED 1.0 MICROMETER MIN.

3. パターンはくり止め用金具
FITTING NAIL FOR PREVENTION OF FOOT PRINT PEELING.
4. エンボステープ梱包時はアクチュエータがロックした状態とする。
ACTUATOR TO BE LOCKED IN EMBOSSED TAPE PACKAGE.
5. FPC挿入深さ。
INSERTION DEPTH OF FPC.
6. パターン書き込み禁止エリア。
NO FOOT PRINT AREA.
7. テール及び金具の平坦度は、0.15以下とする。
COPLANARITY OUT OF SPECIFICATION.
TAIL: 0.15 MAX
NAIL: 0.15 MAX
8. 本製品は52207-**19の鉛フリー品である。
THIS PRODUCT IS GOLD PLATING OF 52207-**19.

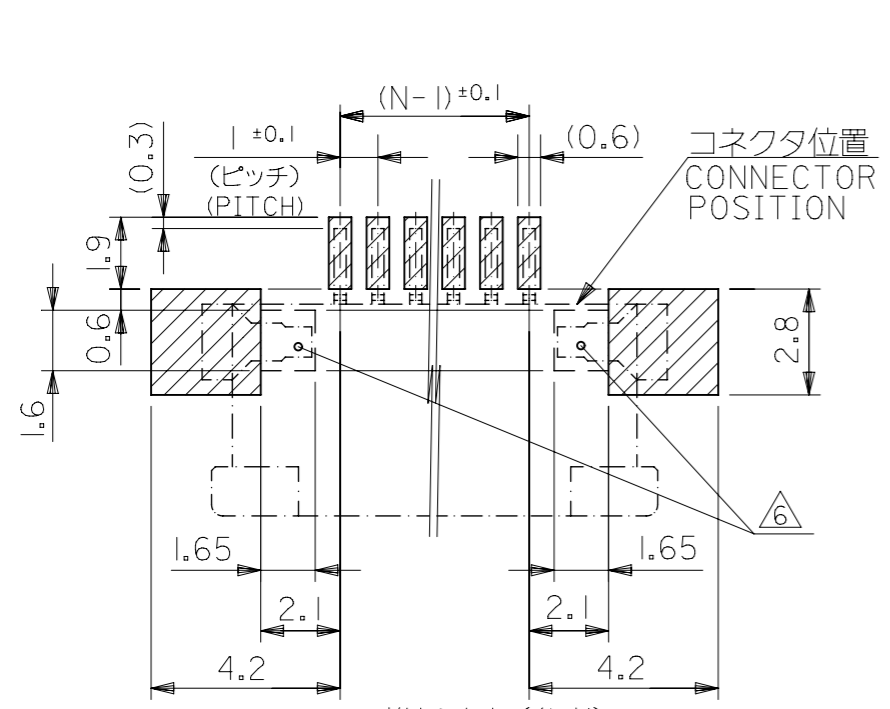


34.7	31.2	29	52207-3067	30
33.7	30.2	28	52207-2967	29
32.7	29.2	27	52207-2867	28
31.7	28.2	26	52207-2767	27
30.7	27.2	25	52207-2667	26
29.7	26.2	24	52207-2567	25
28.7	25.2	23	52207-2467	24
27.7	24.2	22	52207-2367	23
26.7	23.2	21	52207-2267	22
25.7	22.2	20	52207-2167	21
24.7	21.2	19	52207-2067	20
23.7	20.2	18	52207-1967	19
22.7	19.2	17	52207-1867	18
21.7	18.2	16	52207-1767	17
20.7	17.2	15	52207-1667	16
19.7	16.2	14	52207-1567	15
18.7	15.2	13	52207-1467	14
17.7	14.2	12	52207-1367	13
16.7	13.2	11	52207-1267	12
15.7	12.2	10	52207-1167	11
14.7	11.2	9	52207-1067	10
13.7	10.2	8	52207-0967	9
12.7	9.2	7	52207-0867	8
11.7	8.2	6	52207-0767	7
10.7	7.2	5	52207-0667	6
9.7	6.2	4	52207-0567	5
8.7	5.2	3	52207-0467	4
7.7	4.2	2	52207-0367	3
C	B	A	MATERIAL NO.	極数
			MODEL NO. 52207-**67	CIRCUITS

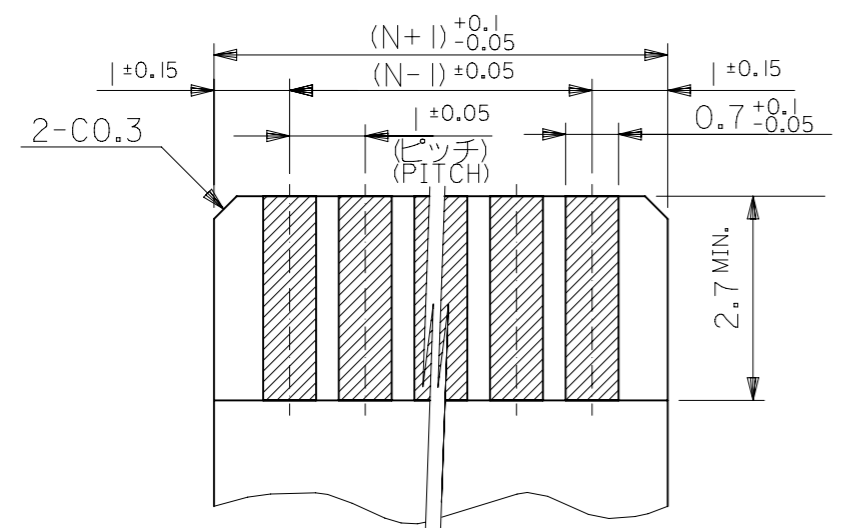
GENERAL TOLERANCES (UNLESS SPECIFIED)	
10 UNDER	± 0.2
10 OVER 30 UNDER	± 0.25
30 OVER	± 0.3
ANGULAR ± 3 °	
DRAFT WHERE APPLICABLE MUST REMAIN WITHIN DIMENSIONS	

THIS DRAWING CONTAINS INFORMATION THAT IS PROPRIETARY TO MOLEX ELECTRONIC TECHNOLOGIES, LLC AND SHOULD NOT BE USED WITHOUT WRITTEN PERMISSION

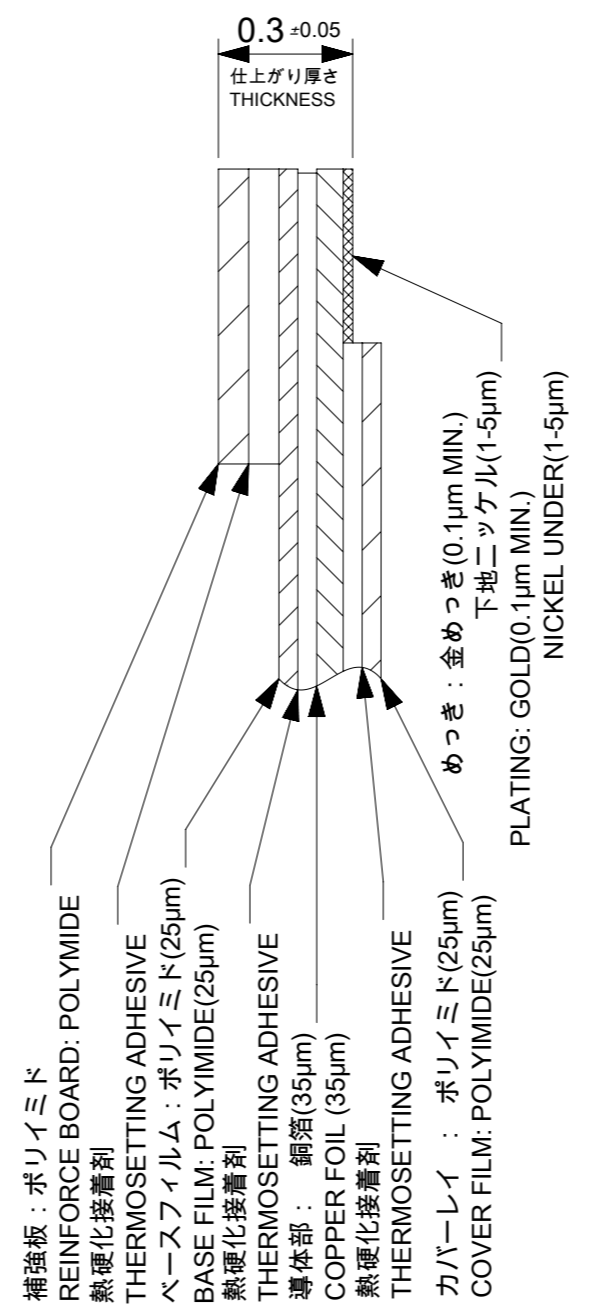
DIMENSION UNITS	SCALE	CURRENT REV DESC:	
mm	8:1	EC NO: 601573	
GENERAL TOLERANCES (UNLESS SPECIFIED)		DRWN: AISHII	2018/07/18
ANGULAR TOL	± 10 °	CHK'D: TRSUZUKI	2018/08/10
4 PLACES	± 0.2	APPR: RTAKEUCHI	2018/08/13
3 PLACES	± 0.25	INITIAL REVISION:	
2 PLACES	± 0.3	DRWN: MUMEDA	2005/03/29
1 PLACE	± 0.1	APPR: NUKITA	2005/04/06
0 PLACES	±	THIRD ANGLE PROJECTION	
DRAFT WHERE APPLICABLE MUST REMAIN WITHIN DIMENSIONS		DRAWING	SERIES
		A3-SIZE	52207
		MATERIAL NUMBER	CUSTOMER
		SEE TABLE	GENERAL MARKET
		DOCUMENT NUMBER	DOC TYPE DOC PART REVISION
		SD-52207-064	PSD 001 H
		SHEET NUMBER	
		1 OF 2	



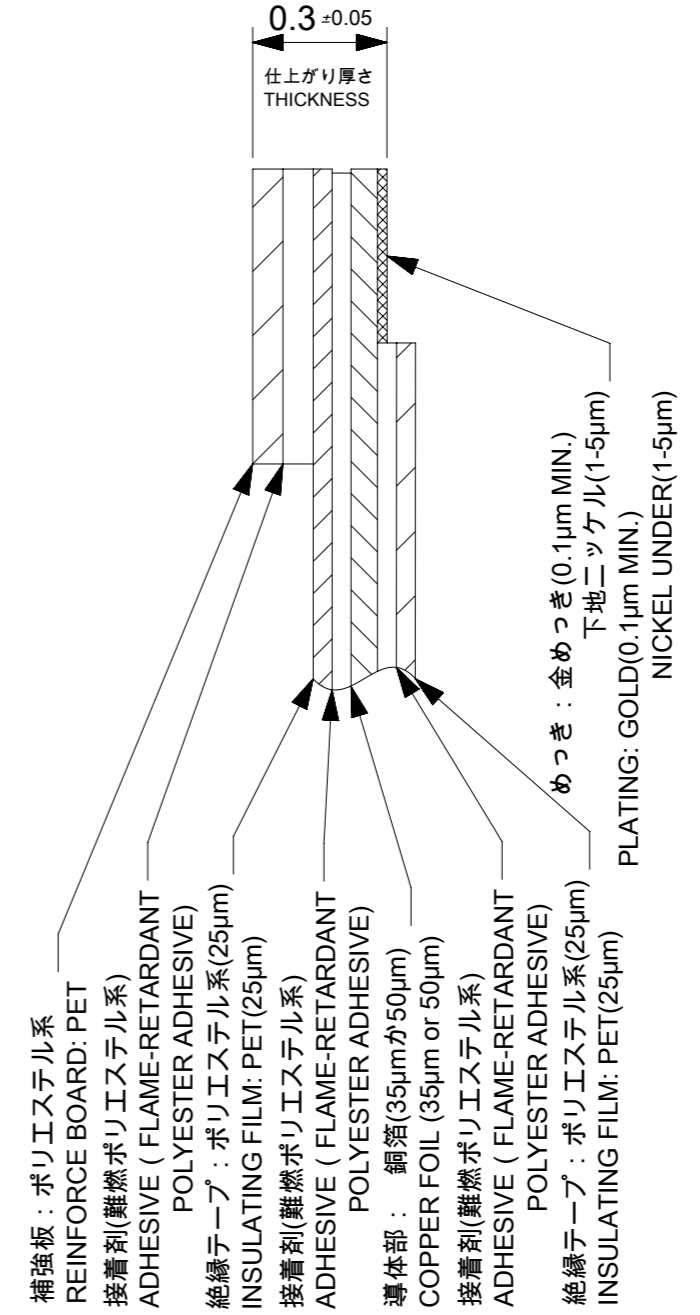
パターン推奨寸法 (参考)
RECOMMENDED PATTERN DIM.(REF.)
SCALE 5:1



(仕上り厚さ: 0.3±0.05)(メッキ厚: 0.1µm MIN.)
(THICKNESS: 0.3±0.05)(PLATING THICKNESS: 0.1µm MIN.)
適合FPC/FFC推奨寸法
RECOMMENDED APPLICABLE
FPC/FFC LAYOUT



FPC構成推奨仕様
STRUCTURE OF FPC



FFC構成推奨仕様
STRUCTURE OF FFC

FPCについて:
打抜き方向は、導体側から補強板側を推奨いたします。
補強フィルム材質は、ポリイミドを推奨いたします。
接着剤は、熱硬化接着剤を推奨いたします。

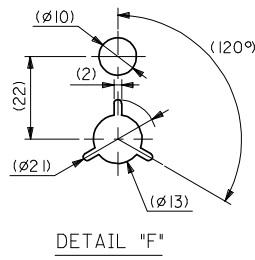
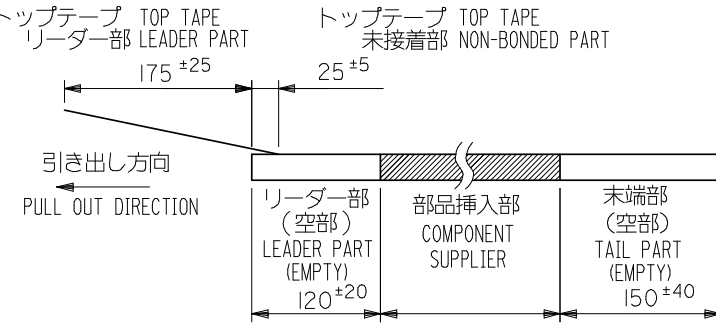
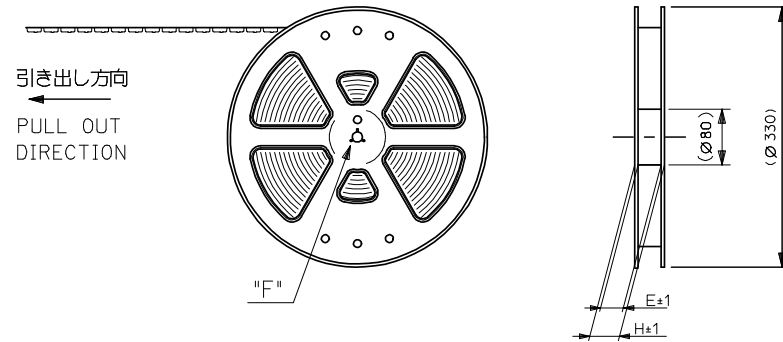
ABOUT FPC:
RECOMMENDED PUNCHER DIRECTION: FROM CONDUCTOR SIDE TO STIFFENER BOARD SIDE.
RECOMMENDED MATERIAL:
STIFFENER FILM: POLYIMIDE
BONDING AGENT: THERMOSETTING BONDING AGENT

GENERAL TOLERANCES (UNLESS SPECIFIED) 10 UNDER ± 0.2 10 OVER 30 UNDER ± 0.25 30 OVER ± 0.3 ANGULAR ± 3° DRAFT WHERE APPLICABLE MUST REMAIN WITHIN DIMENSIONS		DIMENSION UNITS: mm SCALE: 10:1 CURRENT REV DESC: EC NO: 601573 DRWN: AISHII 2018/07/18 CHK'D: TRSUZUKI 2018/08/10 APPR: RTAKEUCHI 2018/08/13 INITIAL REVISION: DRWN: MUMEDA 2005/03/29 APPR: NUKITA 2005/04/06 THIRD ANGLE PROJECTION:	molex 1.0 FPC CONN. ZIF SMT HSG ASSY -LEAD FREE- PRODUCT CUSTOMER DRAWING DOCUMENT NUMBER: SD-52207-064 DOC TYPE: PSD DOC PART: 001 REVISION: H MATERIAL NUMBER: SEE TABLE CUSTOMER: GENERAL MARKET SHEET NUMBER: 2 OF 2
---	--	---	--

注記

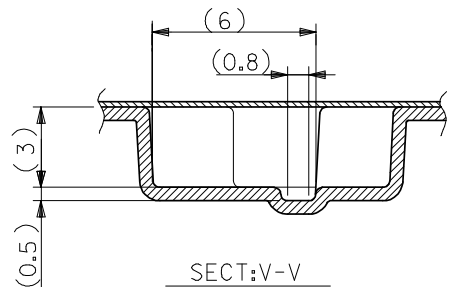
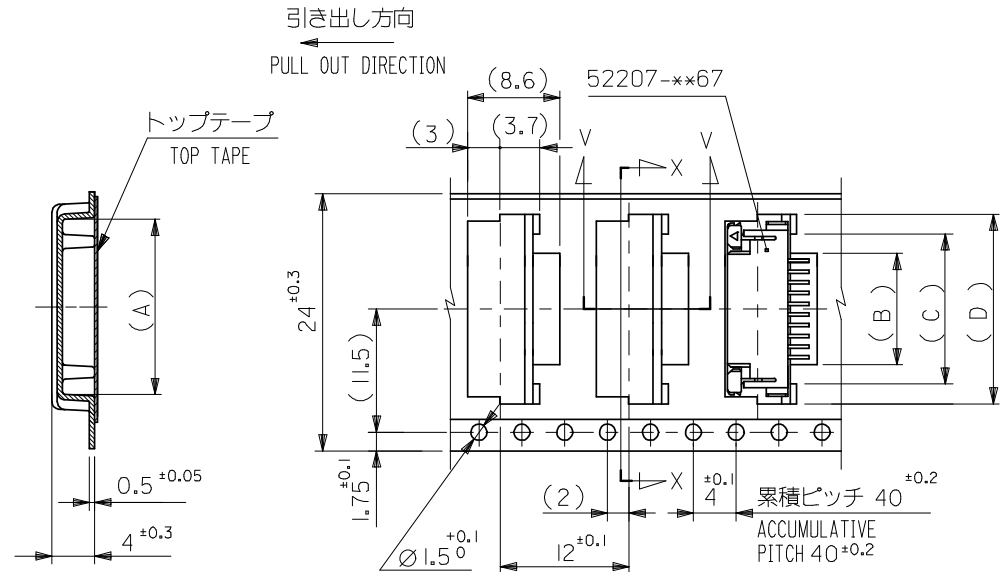
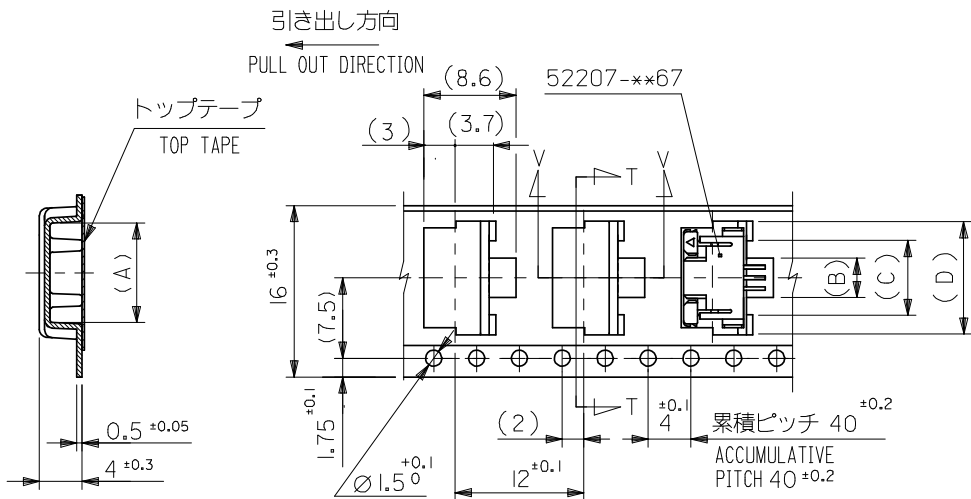
- 製品番号 52207-**67 の梱包状態はアクチュエータがロックした状態とする。
製品詳細寸法は製品単体図面を参照して下さい。
IN THE PACKAGE, ACTUATOR OF PART NO.52207-**67 SHOULD BE LOCKED FOR DETAIL OF CONNECTOR DIMENSIONS, PLEASE SEE THE DRAWING OF CONNECTOR ITSELF (NOT PACKAGED).
- 梱包数量：1000個/リール
NUMBER OF CONNECTORS : 1000PCS/REEL
- リードテープ長さ(LEAD TAPE LENGTH)

トップテープ TOP TAPE	トップテープ TOP TAPE
リーダー部 LEADER PART	未接着部 NON-BONDED PART
175 ±25	25 ±5
- 材料 (MATERIAL)
 キャリアテープ (CARRIER TAPE) : ポリプロピレン (POLYPROPYLENE)
 トップテープ (TOPTAPE) : PET, PE, PEF
 リール (REEL) : ポリスチレン (PS) <リサイクル材を含む>
 POLYSTYRENE(PS) <RECYCLE MATERIAL CONTAINED>
- ELV AND RoHS COMPLIANT.
- 本製品は52207-**60の梱包違い品、シリカゲル入りハイバリア仕様である。
THIS PRODUCT IS HIGH BARRIER PACKAGE INCLUDING SILICAGEL FOR 53398-**60.
- 開梱後の保管条件に注意のこと。(PS-52207-048参照)
REFER TO PS-52207-048 FOR CONDITIONS AFTER OPEN.



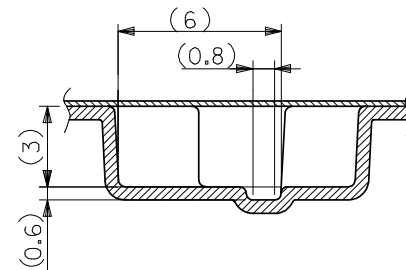
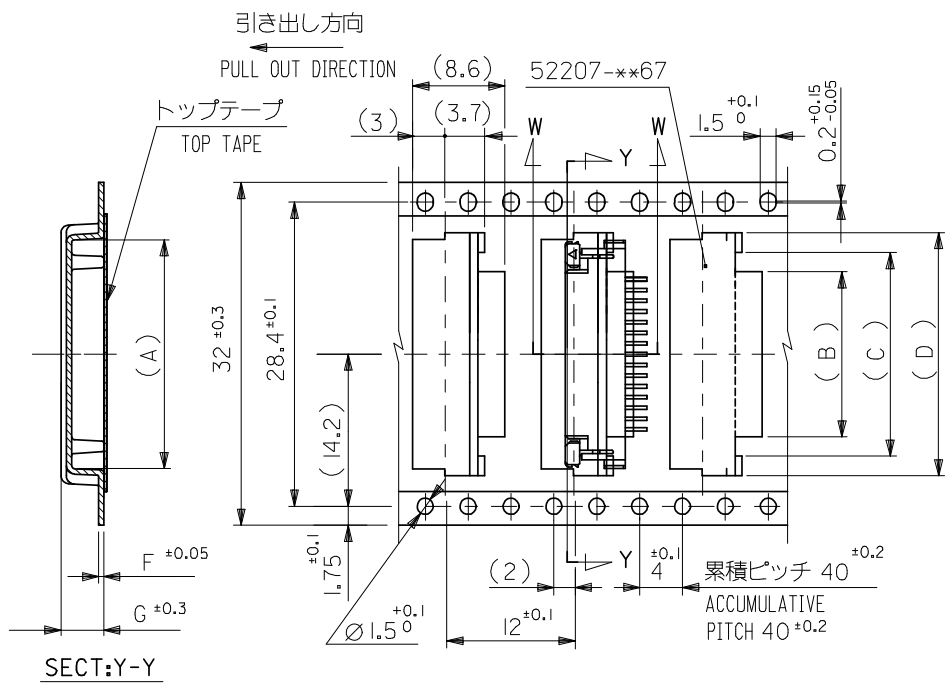
DETAIL "F"

REVISED EC NO: J2008-4127 DRWN:ASUZUKI01 2008/06/04 CHK:HMATSUMOTO 2008/06/04 APPR:NUKITA 2008/06/06	GENERAL TOLERANCES (UNLESS SPECIFIED)		DIMENSION STYLE MM ONLY		SCALE ---	52207-**51	MODEL NO.	
	10 UNDER ±---		DRAWN BY DATE M. NABEI '08/05/29		TITLE EMBOSSSED TAPE PKG. FOR 52207-**67 HIGH BARRIER PKG.	DESIGN UNITS METRIC	THIRD ANGLE PROJECTION	
	10 OVER 30 UNDER ±---		CHECKED BY DATE H. MATSUMOTO '08/05/29			MOLEX INCORPORATED		
	30 OVER ±---		APPROVED BY DATE N. UKITA '08/05/29		MATERIAL NO.	DOCUMENT NO.	SHEET NO. 1 OF 5	
	ANGULAR ±--- °		DRAFT WHERE APPLICABLE MUST REMAIN WITHIN DIMENSIONS		SEE TABLE	SD-52207-067		
A	THIS DRAWING CONTAINS INFORMATION THAT IS PROPRIETARY TO MOLEX INCORPORATED AND SHOULD NOT BE USED WITHOUT WRITTEN PERMISSION							



24	29.4	25.4	18.5	15	11.7	17.3	52207-1151	11
			17.5	14	10.7	16.3	52207-1051	10
			16.5	13	9.7	15.3	52207-0951	9
			15.5	12	8.7	14.3	52207-0851	8
			14.5	11	7.7	13.3	52207-0751	7
			13.5	10	6.7	12.3	52207-0651	6
			12.5	9	5.7	11.3	52207-0551	5
			11.5	8	4.7	10.3	52207-0451	4
16	21.4	17.4	10.5	7	3.7	9.3	52207-0351	3
キャリアテープ幅 CARRIER TAPE WIDTH	H	E	(D)	(C)	(B)	(A)	MATERIAL NO. MODEL NO. 52207-**51	極数 CKT.

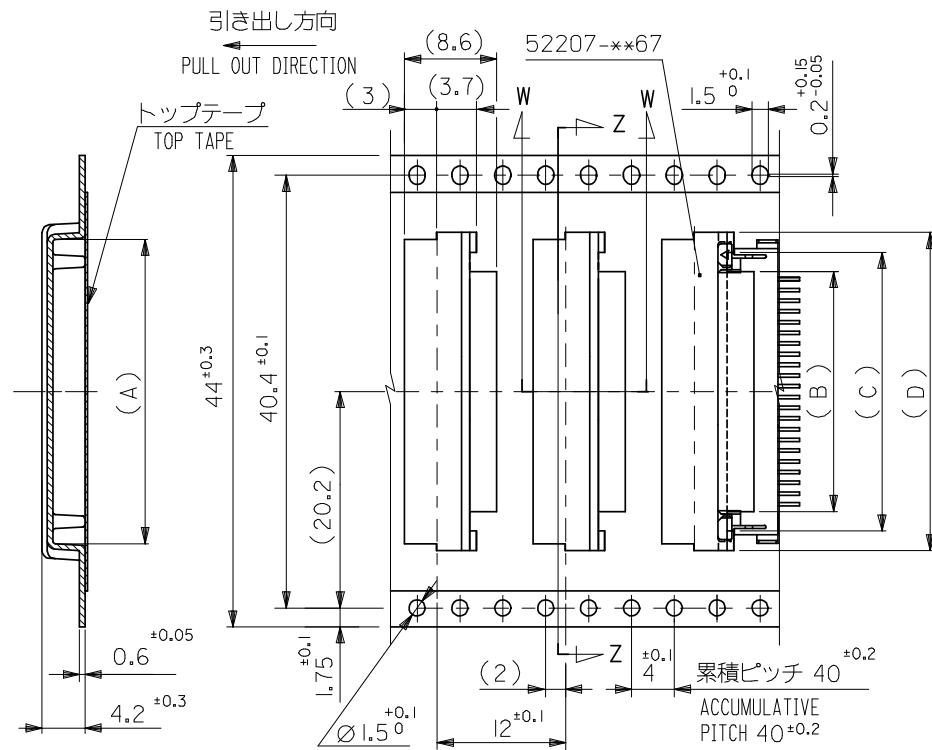
REVISED EC NO: J2008-4127 DRWN: ASUZUKI01 2008/06/04 CHK: HATSUMOTO 2008/06/04 APPR: NUKITA 2008/06/06	GENERAL TOLERANCES (UNLESS SPECIFIED)		DIMENSION STYLE MM ONLY		SCALE ---	DESIGN UNITS METRIC	THIRD ANGLE PROJECTION	
	10 UNDER	± ---	DRAWN BY M. NABEI	DATE '08/05/29	TITLE EMBOSSSED TAPE PKG. FOR 52207-**67 HIGH BARRIER PKG.			
	10 OVER 30 UNDER	± ---	CHECKED BY H. MATSUMOTO	DATE '08/05/29	MOLEX INCORPORATED			
	30 OVER	± ---	APPROVED BY N. UKITA	DATE '08/05/29	DOCUMENT NO. SD-52207-067		SHEET NO. 2 OF 5	
	ANGULAR	± --- °	MATERIAL NO. SEE TABLE		THIS DRAWING CONTAINS INFORMATION THAT IS PROPRIETARY TO MOLEX INCORPORATED AND SHOULD NOT BE USED WITHOUT WRITTEN PERMISSION			
DRAFT WHERE APPLICABLE MUST REMAIN WITHIN DIMENSIONS								



32mm 幅 キャリアテープ
32mm WIDTH CARRIER TAPE

32	37.4	33.4	4.0	0.5	23.5	20	16.7	22.35	52207-1651	16
			4.2	0.6	22.5	19	15.7	21.35	52207-1551	15
			4.2	0.6	21.5	18	14.7	20.35	52207-1451	14
			4.2	0.6	20.5	17	13.7	19.35	52207-1351	13
			4.2	0.6	19.5	16	12.7	18.35	52207-1251	12
キャリアテープ幅 CARRIER TAPE WIDTH	H	E	(G)	(F)	(D)	(C)	(B)	(A)	MATERIAL NO.	極数 CKT.
									MODEL NO. 52207-**51	

REVISED EC NO: J2008-4127 DRWN: ASUZUKI 2008/06/04 CH'KD: MATSUMOTO 2008/06/04 APPR: NUKITA 2008/06/06	GENERAL TOLERANCES (UNLESS SPECIFIED)		DIMENSION STYLE MM ONLY		SCALE ---	DESIGN UNITS METRIC	THIRD ANGLE PROJECTION		
	10 UNDER	±---	DRAWN BY M. NABEI	DATE '08/05/29	TITLE EMBOSSSED TAPE PKG. FOR 52207-**67 HIGH BARRIER PKG.				
	10 OVER 30 UNDER	±---	CHECKED BY H. MATSUMOTO	DATE '08/05/29	MOLEX INCORPORATED				
	30 OVER	±---	APPROVED BY N. UKITA	DATE '08/05/29	MATERIAL NO.	DOCUMENT NO.	SHEET NO.		
	ANGULAR	±---°	SEE TABLE		SD-52207-067	3 OF 5			
DRAFT WHERE APPLICABLE MUST REMAIN WITHIN DIMENSIONS		THIS DRAWING CONTAINS INFORMATION THAT IS PROPRIETARY TO MOLEX INCORPORATED AND SHOULD NOT BE USED WITHOUT WRITTEN PERMISSION							

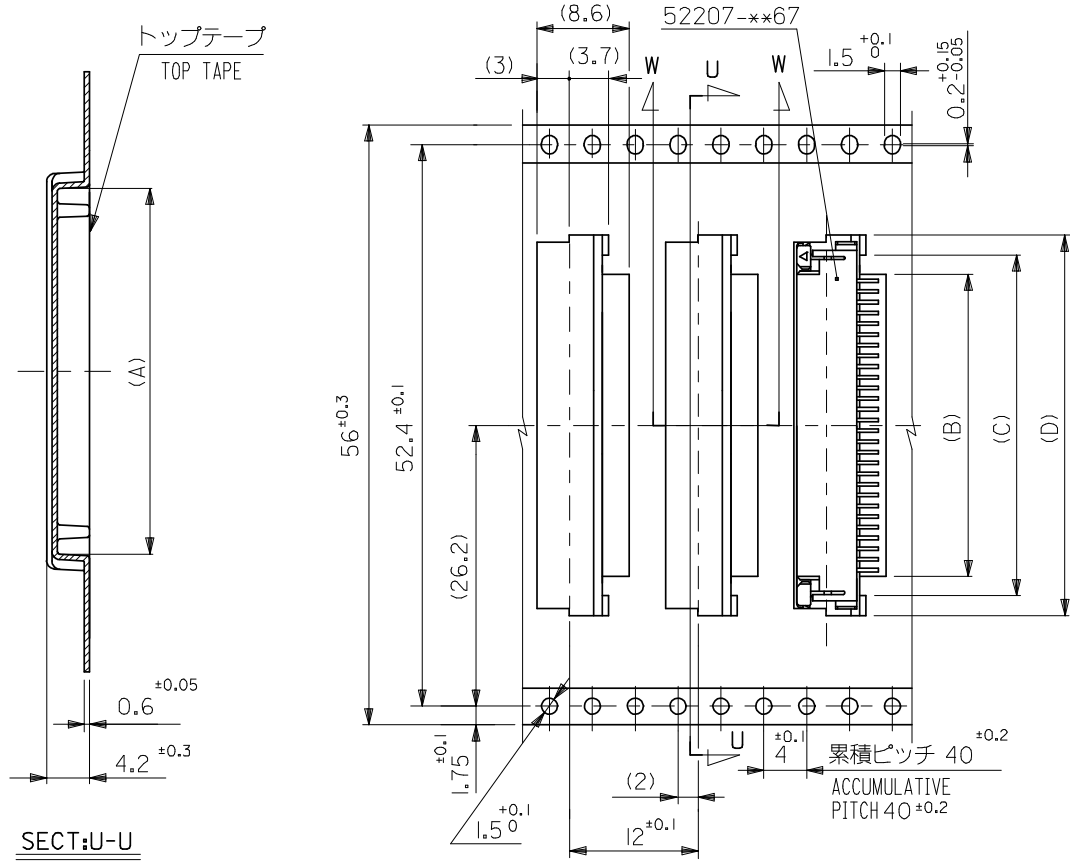


SECT:Z-Z

44mm 幅 キャリアテープ
44mm WIDTH CARRIER TAPE

44	49.4	45.4	33.5	30	26.7	32.35	52207-2651	26
			31.5	28	24.7	30.35	52207-2451	24
			29.5	26	22.7	28.35	52207-2251	22
			28.5	25	21.7	27.35	52207-2151	21
			27.5	24	20.7	26.35	52207-2051	20
			26.5	23	19.7	25.35	52207-1951	19
25.5	22	18.7	24.35	52207-1851	18			
キャリアテープ幅 CARRIER TAPE WIDTH	H	E	(D)	(C)	(B)	(A)	MATERIAL NO. MODEL NO. 52207-**51	極数 CKT.

REVISED EC NO: J2008-4127 DRWN: ASUZUKI 2008/06/04 CHK: H. MATSUMOTO 2008/06/04 APPR: NUKITA 2008/06/06	GENERAL TOLERANCES (UNLESS SPECIFIED)		DIMENSION STYLE MM ONLY		SCALE ---	DESIGN UNITS METRIC	THIRD ANGLE PROJECTION	
	10 UNDER	± ---	DRAWN BY M. NABEI	DATE '08/05/29	TITLE EMBOSSSED TAPE PKG. FOR 52207-**67 HIGH BARRIER PKG.			
	10 OVER 30 UNDER	± ---	CHECKED BY H. MATSUMOTO	DATE '08/05/29				
	30 OVER	± ---	APPROVED BY N. UKITA	DATE '08/05/29	MOLEX INCORPORATED MATERIAL NO. DOCUMENT NO. SD-52207-067 SHEET NO. 4 OF 5			
	ANGULAR	± --- °	SEE TABLE					
DRAFT WHERE APPLICABLE MUST REMAIN WITHIN DIMENSIONS		THIS DRAWING CONTAINS INFORMATION THAT IS PROPRIETARY TO MOLEX INCORPORATED AND SHOULD NOT BE USED WITHOUT WRITTEN PERMISSION						



SECT:U-U

56mm 幅 キャリアテープ
56mm WIDTH CARRIER TAPE

56	61.4	57.4	37.5	34	30.7	36.35	52207-3051	30
キャリアテープ幅 CARRIER TAPE WIDTH	F	E	(D)	(C)	(B)	(A)	MATERIAL NO.	CIRCUIT
			35.5	32	28.7	34.35	52207-2851	28

REVISED EC NO: J2008-4127 DRWN: ASUZUKI01 2008/06/04 CHK: HMATSUMOTO 2008/06/04 APPR: NUKITA 2008/06/06 REV A	GENERAL TOLERANCES (UNLESS SPECIFIED)		DIMENSION STYLE MM ONLY		SCALE ---	DESIGN UNITS METRIC	52207-**51 MODEL NO.	
	10 UNDER	± ---	DRAWN BY M. NABEI	DATE '08/05/29	TITLE EMBOSSD TAPE PKG. FOR 52207-**67 HIGH BARRIER PKG.			
	10 OVER 30 UNDER	± ---	CHECKED BY H. MATSUMOTO	DATE '08/05/29	MATERIAL NO. SD-52207-067			
	30 OVER	± ---	APPROVED BY N. UKITA	DATE '08/05/29	SHEET NO. 5 OF 5			
	ANGULAR	± --- °	SEE TABLE		DOCUMENT NO. SD-52207-067			
DRAFT WHERE APPLICABLE MUST REMAIN WITHIN DIMENSIONS		THIS DRAWING CONTAINS INFORMATION THAT IS PROPRIETARY TO MOLEX INCORPORATED AND SHOULD NOT BE USED WITHOUT WRITTEN PERMISSION						