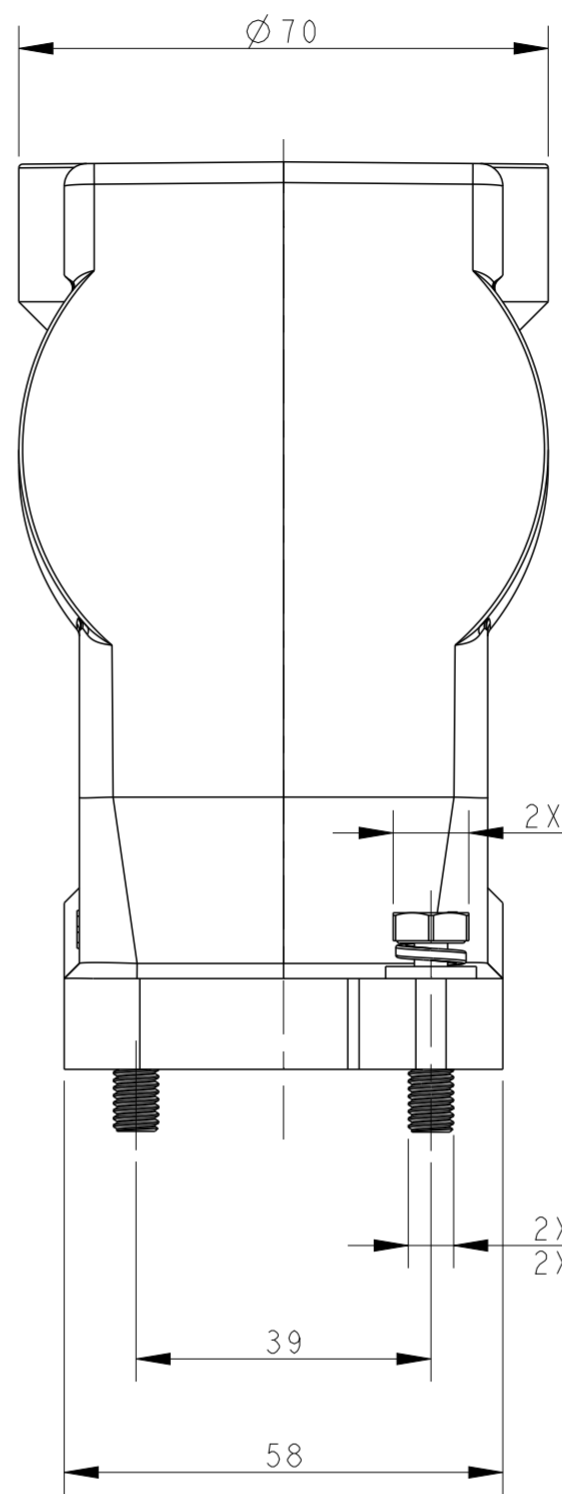
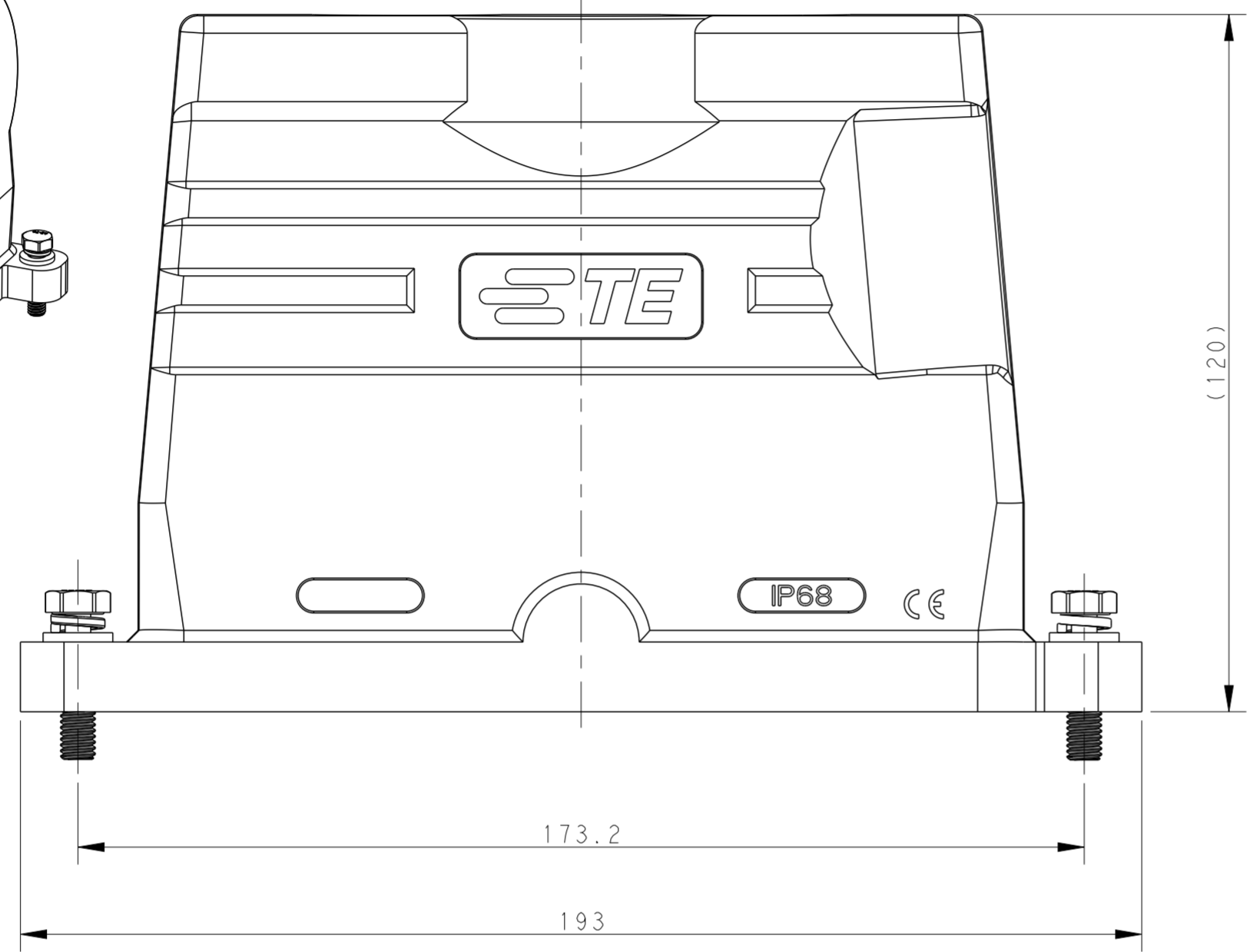
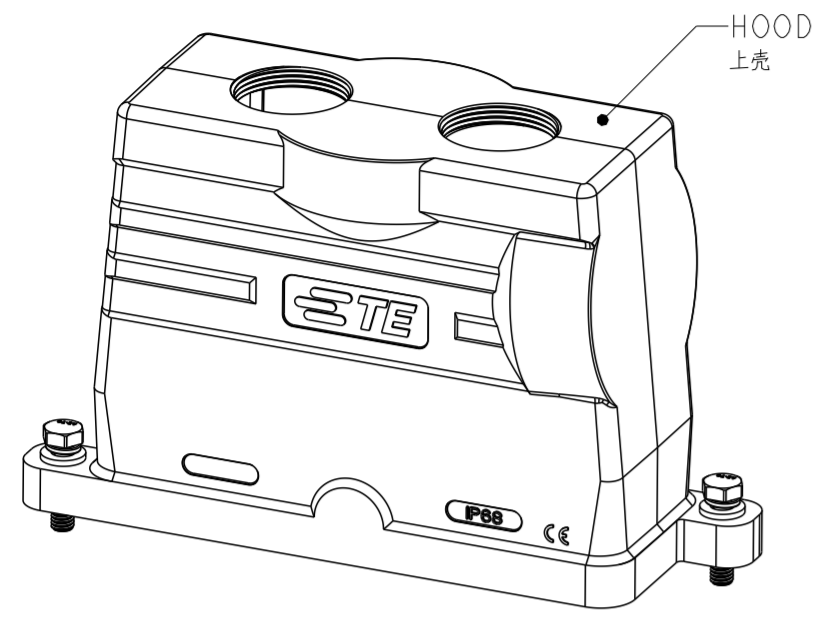


THIS DRAWING IS UNPUBLISHED. RELEASED FOR PUBLICATION 20  
 © COPYRIGHT 20 BY - ALL RIGHTS RESERVED.

REVISIONS					
P	LTR	DESCRIPTION	DATE	DWN	APVD
A		INITIAL RELEASE	24FEB2017	DW	CW
A1		ECR-19-004297	21MAR2019	SR	CW
B		ECR-20-016312	04JUN2021	BS	CW
B1		ECR-23-166302	23FEB2023	AC	CW

TYPE 1: TWO TOP ENTRY  
 类型 1: 顶部两个出线孔

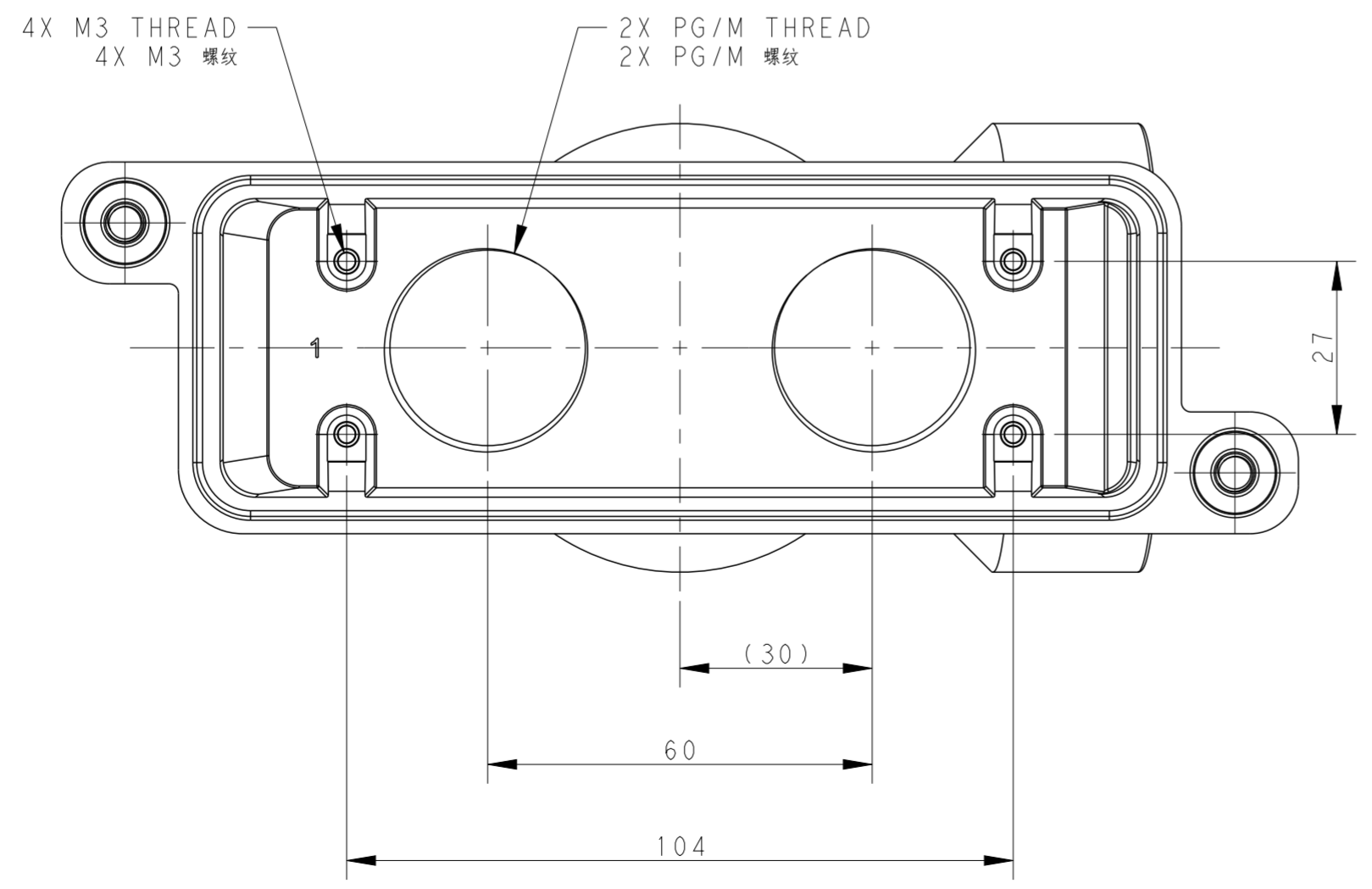


NOTES:  
 1. TECHNICAL CHARACTERISTICS:  
 HOOD MATERIAL: DIE CAST ALUMINIUM ALLOY  
 HOOD SURFACE: POWDER COATED, BLACK  
 DEGREE OF PROTECTION: IP68 (MATED)

2. OBSOLETE

注释:  
 1. 技术参数:  
 上壳材料: 铝合金  
 上壳表面处理: 黑色粉末喷涂  
 防护等级: IP68 (配合)

2. 料号已停用



2	T1920240225-109	H24BPR-TGH-XL-2M25-EMC-C	H24BPR HEIGHTEN HOOD, DIAGONAL LOCKING, TOP ENTRY 2M25, POWDER COATED, BLACK H24BPR加高上壳, 对角锁定, 顶出2M25, 黑色粉末喷涂	M25
	T1920240232-109	H24BPR-TGH-XL-2M32-EMC-C	H24BPR HEIGHTEN HOOD, DIAGONAL LOCKING, TOP ENTRY 2M32, POWDER COATED, BLACK H24BPR加高上壳, 对角锁定, 顶出2M32, 黑色粉末喷涂	M32
2	T1920240240-109	H24BPR-TGH-XL-2M40-EMC-C	H24BPR HEIGHTEN HOOD, DIAGONAL LOCKING, TOP ENTRY 2M40, POWDER COATED, BLACK H24BPR加高上壳, 对角锁定, 顶出2M40, 黑色粉末喷涂	M40
PART NUMBER 料号			PART DESCRIPTION 描述	2X PG/M THREAD 2X PG/M 螺纹孔

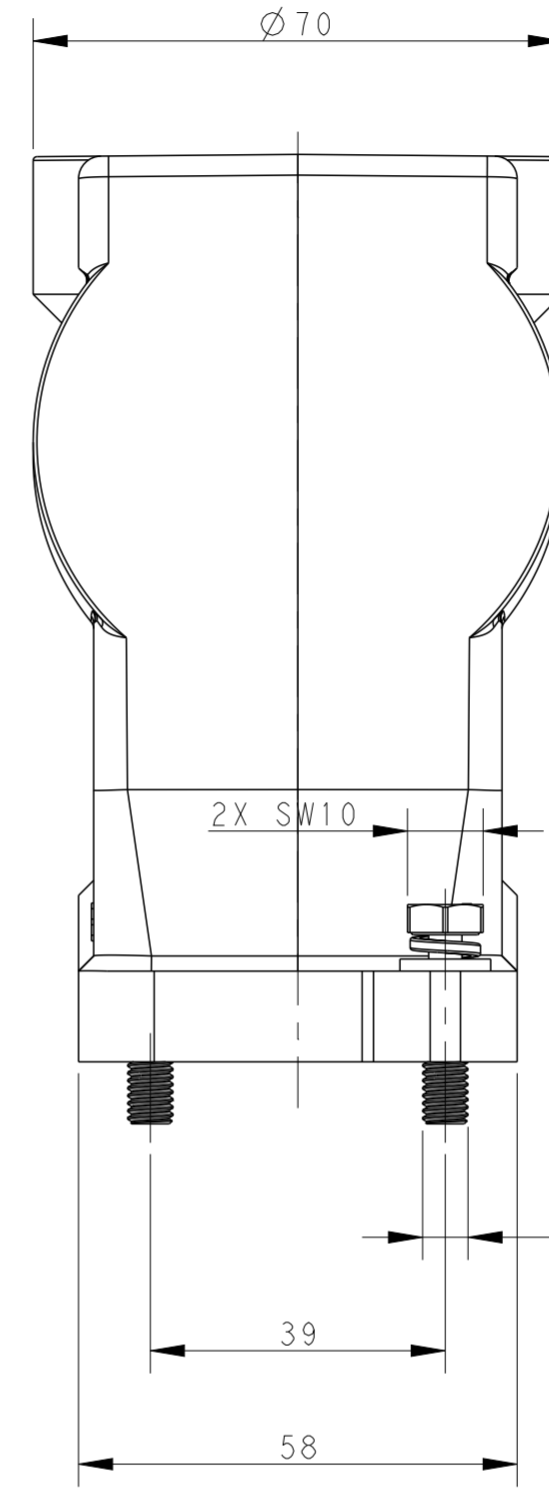
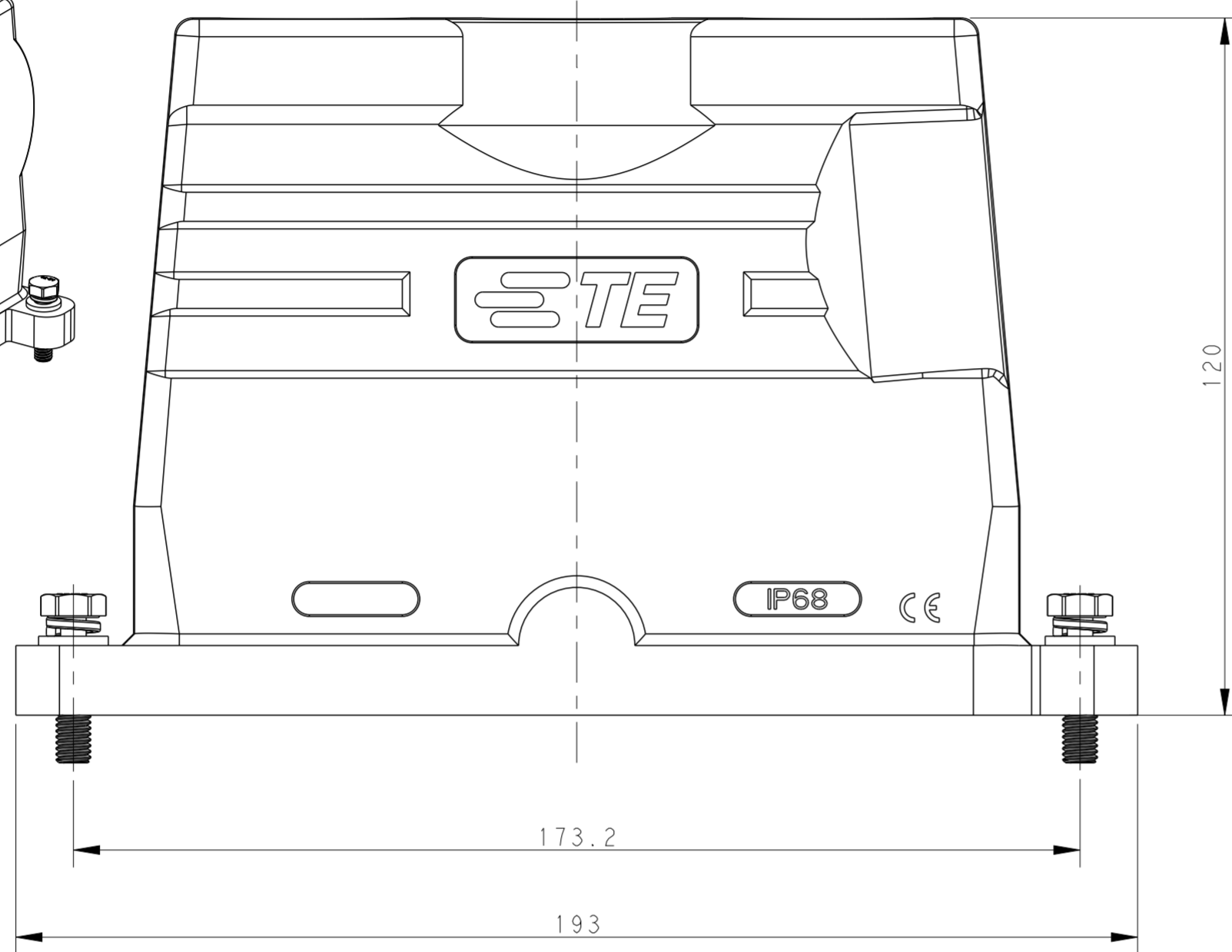
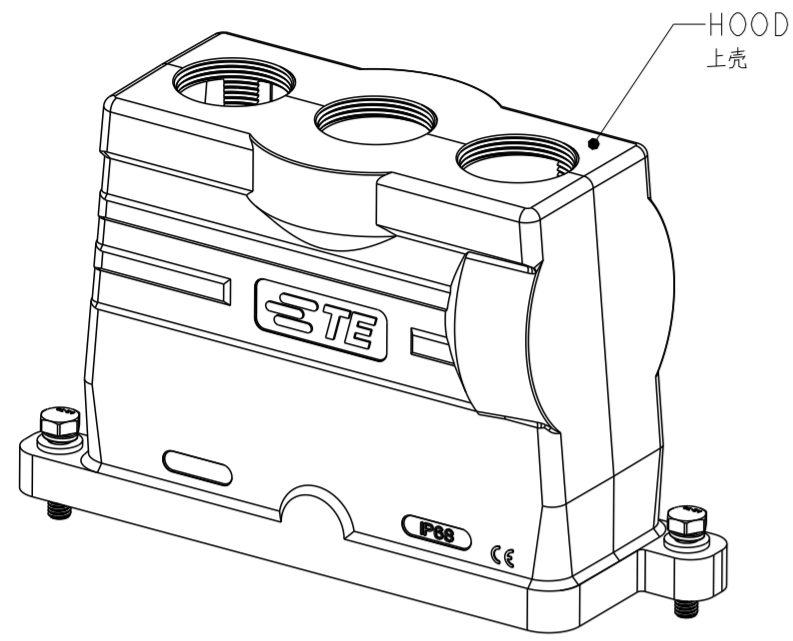
THIS DRAWING IS A CONTROLLED DOCUMENT.

DWN	24FEB2017	TE Connectivity	NAME H24BPR-TGH-XL-XMXX-EMC-C
CHK	24FEB2017		
APVD	24FEB2017		
PRODUCT SPEC	108-137191		
APPLICATION SPEC	114-137191	SIZE	A2
MATERIAL	-	CAGE CODE	-
TOLERANCES UNLESS OTHERWISE SPECIFIED:	0 PLC ±	DRAWING NO	©-T1920240XXX109
1 PLC ±	1 PLC ±	RESTRICTED TO	-
2 PLC ±	2 PLC ±	SCALE	1:1
3 PLC ±	3 PLC ±	SHEET	1 OF 3
4 PLC ±	4 PLC ±	REV	B1
ANGLES ±	FINISH	CUSTOMER DRAWING	

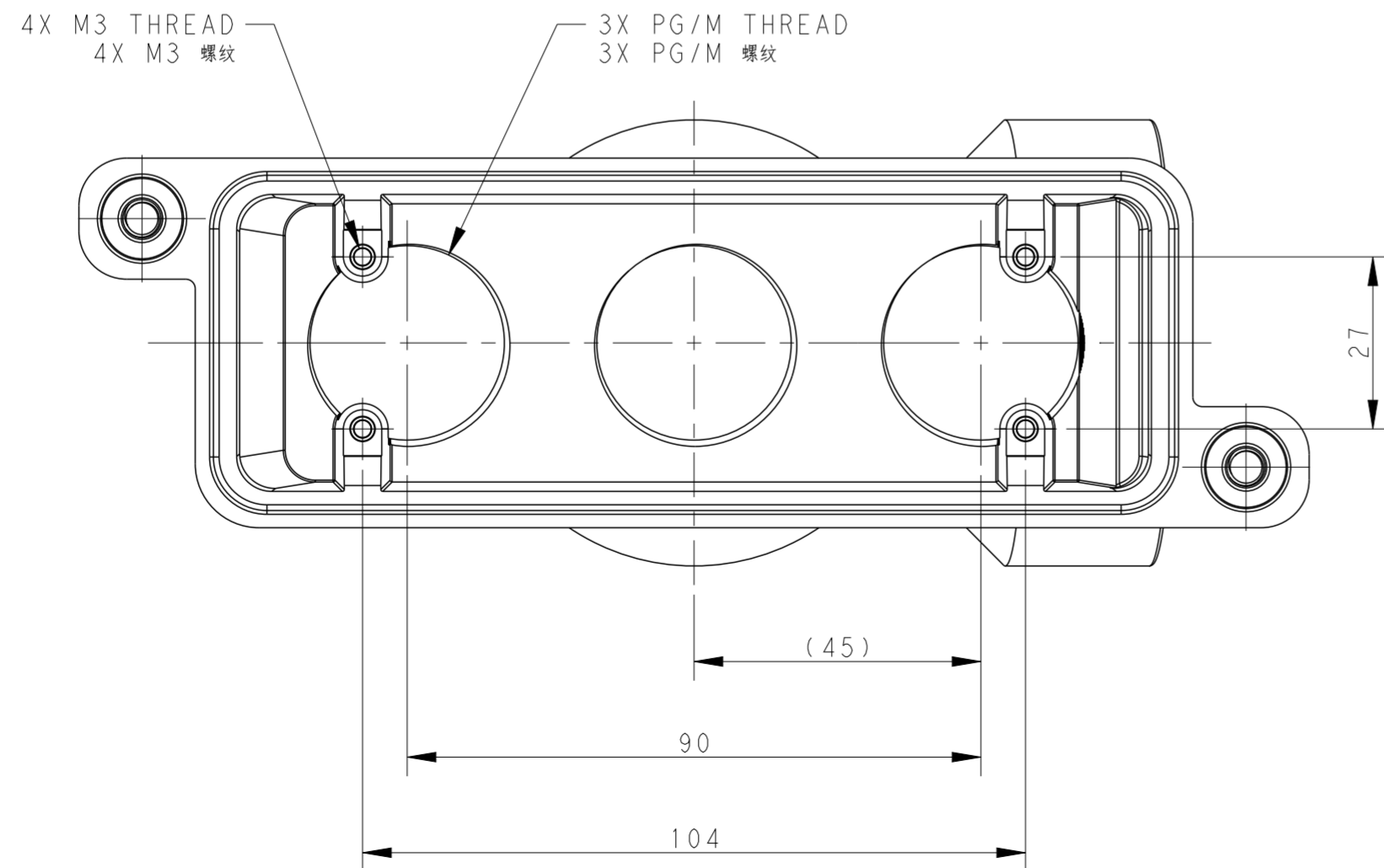
THIS DRAWING IS UNPUBLISHED. RELEASED FOR PUBLICATION 20  
 © COPYRIGHT 20 BY - ALL RIGHTS RESERVED.

REVISIONS				
P	LTR	DESCRIPTION	DATE	APVD
-	-	SEE SHEET 1	-	-

TYPE 2: THREE TOP ENTRY  
 类型2: 顶部三个出线孔



NOTE:  
SEE SHEET 1



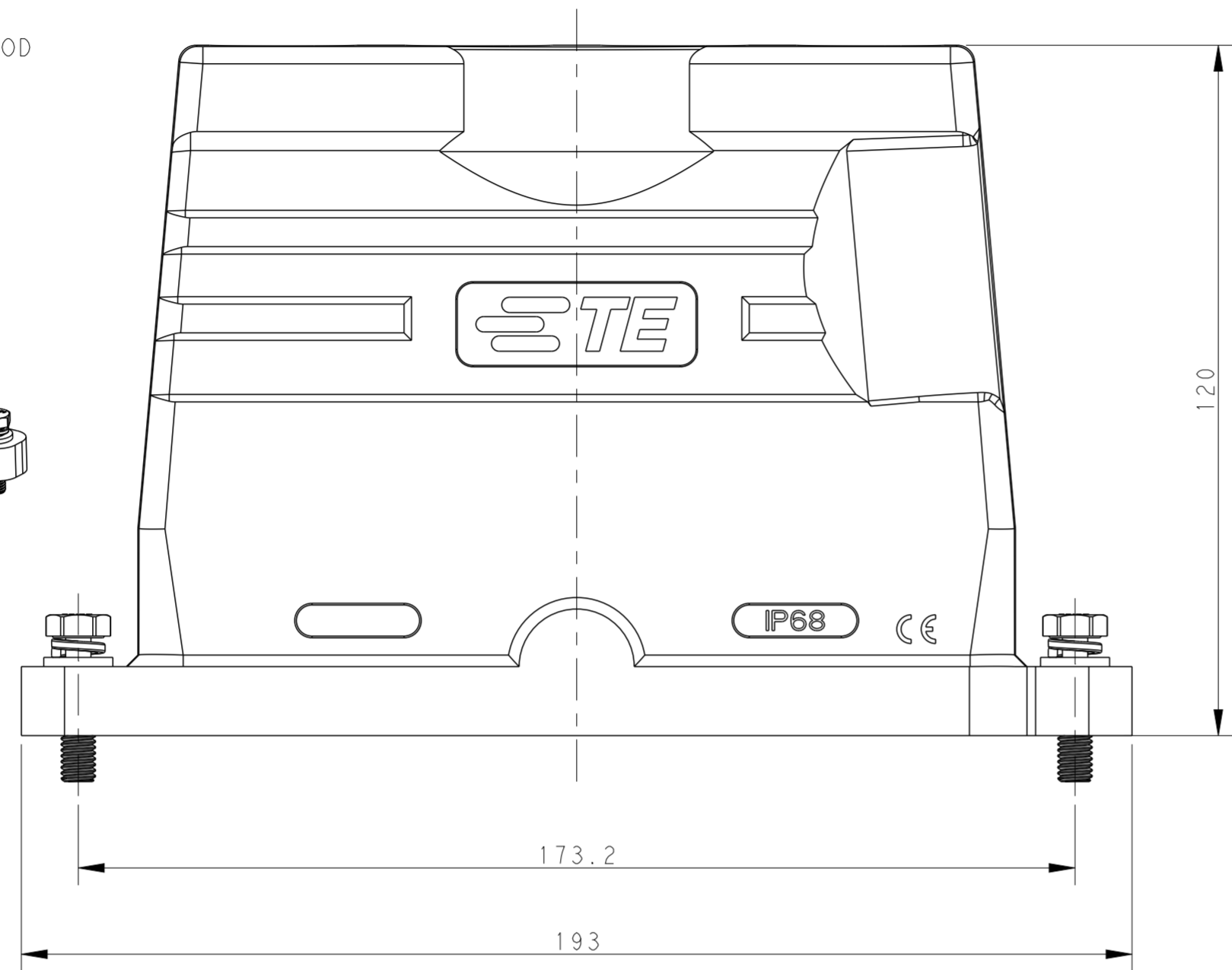
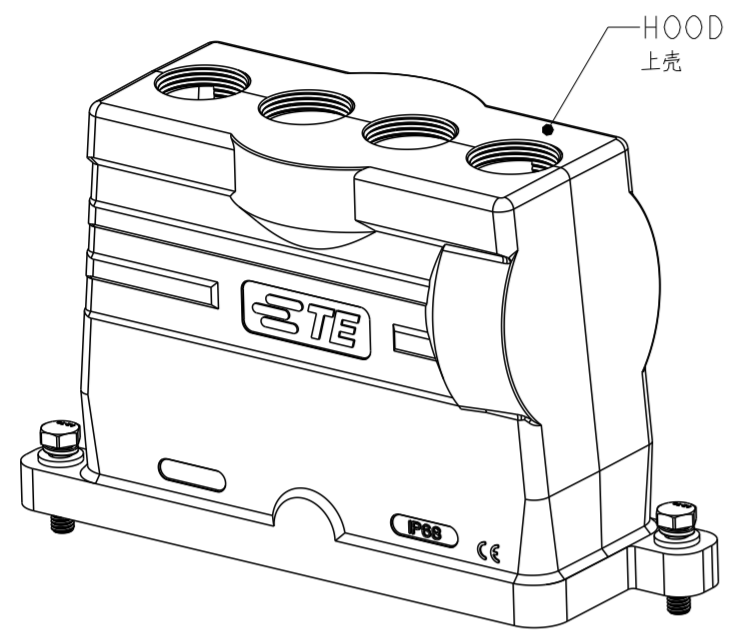
2	T1920240325-109	H24BPR-TGH-XL-3M25-EMC-C	H24BPR HEIGHTEN HOOD, DIAGONAL LOCKING, TOP ENTRY-3M25, POWDER COATED, BLACK H24BPR 加高上壳, 对角锁定, 顶出3M25, 黑色粉末喷涂	M25
2	T1920240332-109	H24BPR-TGH-XL-3M32-EMC-C	H24BPR HEIGHTEN HOOD, DIAGONAL LOCKING, TOP ENTRY-3M32, POWDER COATED, BLACK H24BPR 加高上壳, 对角锁定, 顶出3M32, 黑色粉末喷涂	M32
PART NUMBER 料号		PART DESCRIPTION 描述		3X PG/M THREAD 3X PG/M 螺纹孔

THIS DRAWING IS A CONTROLLED DOCUMENT.		DWN 24FEB2017 DAVID WANG	TE Connectivity	
DIMENSIONS: mm		CHK 24FEB2017 CHRIS WANG		
TOLERANCES UNLESS OTHERWISE SPECIFIED:		APVD 24FEB2017 XIANG XU	NAME H24BPR-TGH-XL-XMXX-EMC-C	
0 PLC ±	1 PLC ±	PRODUCT SPEC 108-137191	SIZE A2	CAGE CODE -
2 PLC ±	3 PLC ±	APPLICATION SPEC 114-137191	DRAWING NO. C-T1920240XXX109	RESTRICTED TO -
4 PLC ±	ANGLES ±	WEIGHT -	SCALE 1:1	SHEET 2 OF 3
MATERIAL -	FINISH -	CUSTOMER DRAWING	REV B1	

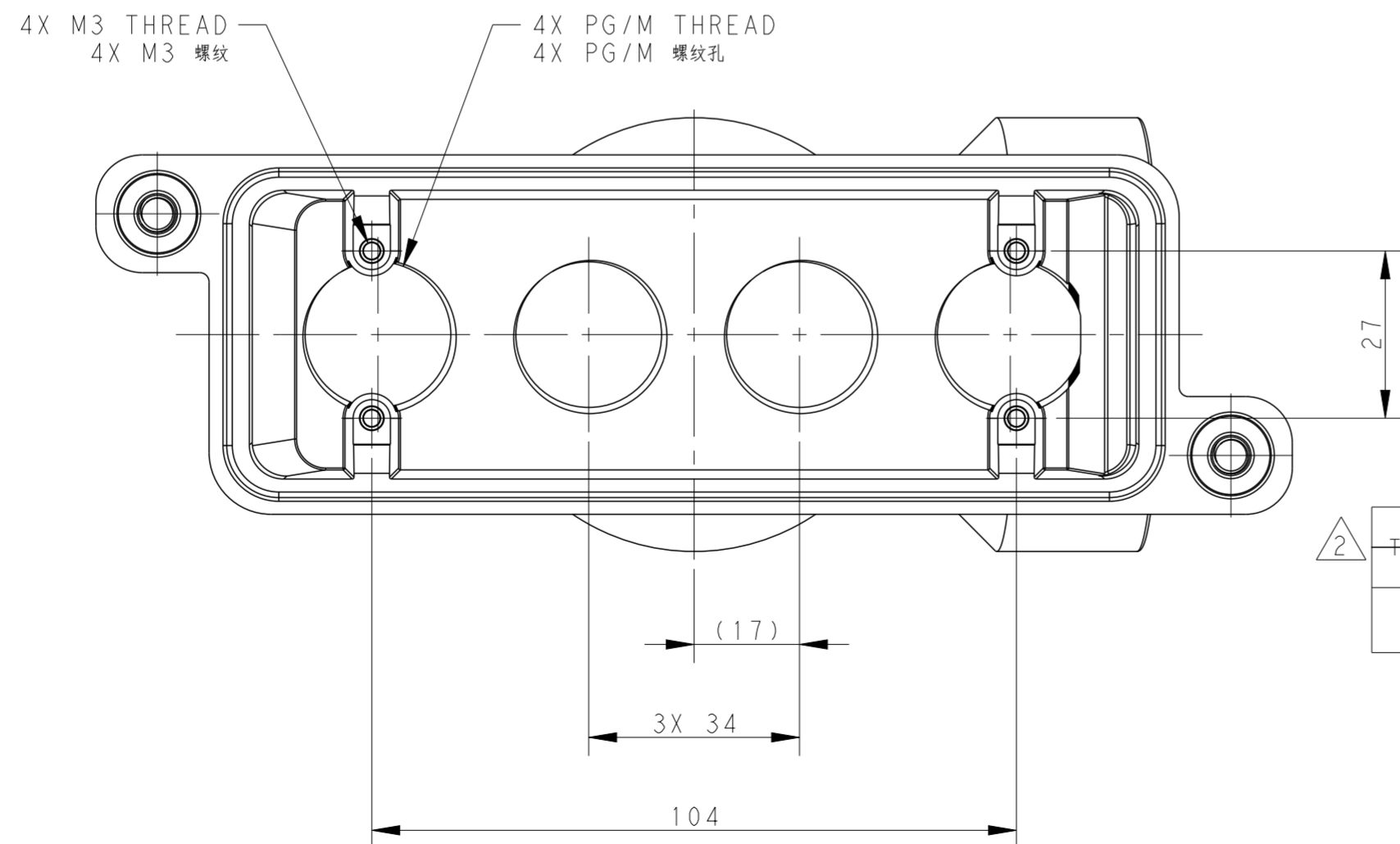
THIS DRAWING IS UNPUBLISHED. RELEASED FOR PUBLICATION 20  
 © COPYRIGHT 20 BY - ALL RIGHTS RESERVED.

REVISIONS				
P	LTR	DESCRIPTION	DATE	APVD
-	-	SEE SHEET 1	-	-

TYPE 3: FOUR TOP ENTRY  
 类型3: 顶部四个出线孔



NOTE:  
SEE SHEET 1



T1920240425-109	H24BPR TGH-XL 4M25 EMC-C	H24BPR HEIGHTEN HOOD, DIAGONAL LOCKING, TOP ENTRY 4M25, POWDER COATED, BLACK H24BPR 加高上壳, 对角锁定, 顶出4M25, 黑色粉末喷涂	M25
PART NUMBER 料号	PART DESCRIPTION 描述		4X PG/M THREAD 4X PG/M 螺纹孔

THIS DRAWING IS A CONTROLLED DOCUMENT.		DWN 24FEB2017 DAVID WANG	<b>STE</b> TE Connectivity	
		CHK 24FEB2017 CHRIS WANG		
DIMENSIONS: mm		APVD 24FEB2017 XIANG XU	NAME H24BPR-TGH-XL-XMXX-EMC-C	
TOLERANCES UNLESS OTHERWISE SPECIFIED:		PRODUCT SPEC 108-137191	SIZE A2	
0 PLC ±	1 PLC ±	APPLICATION SPEC 114-137191	CAGE CODE -	DRAWING NO. C-T1920240XXX109
2 PLC ±	3 PLC ±	WEIGHT -	RESTRICTED TO -	
4 PLC ±	ANGLES ±	CUSTOMER DRAWING	SCALE 1:1	SHEET 3 OF 3
FINISH -				REV B1