

62759-1 ✓ ACTIVE



## SPLICE

TE Internal #: 62759-1

Splices, Pigtail Splice / Thru Splice, 24 – 18.5 AWG Wire Size, .2 – .6 mm<sup>2</sup> Wire Size, Serrated, 400 – 1300 CMA Wire Size, Brass, 2

Serration, SPLICE

[View on TE.com >](#)

Terminals & Splices > Splices



Wire Size: 400 – 1300 CMA

Sealable: No

Splice Features: Serrated

### Features

#### Product Type Features

Sealable	No
Splice Type	Pigtail Splice, Thru Splice
Compatible With Discrete Wire Type	Solid, Stranded
Wire Insulation Support Retention Type	Non-Insulation Support

#### Configuration Features

Number of Serrations	2
Compatible With Wire & Cable Type	Discrete Wire

#### Body Features

Product Weight	.04 g
Splice Features	Serrated

#### Contact Features

Contact Base Material	Brass
Barrel Type	Open

#### Mechanical Attachment

Wire Insulation Support	Without
-------------------------	---------



### Dimensions

Wire Size	400 – 1300 CMA
Terminal Material Thickness	.41 mm[.016 in]
Product Length	2.6 mm[.102 in]

### Usage Conditions

Insulation Option	Uninsulated
Operating Temperature Range	-40 – 110 °C[-40 – 230 °F]

### Operation/Application

Compatible With Wire Base Material	Copper
------------------------------------	--------

### Industry Standards

Government Qualified Splice	No
-----------------------------	----

### Packaging Features

Packaging Quantity	20000
Packaging Method	Reel

### Product Compliance

[For compliance documentation, visit the product page on TE.com>](#)

EU RoHS Directive 2011/65/EU	Compliant
EU ELV Directive 2000/53/EC	Compliant
China RoHS 2 Directive MIIT Order No 32, 2016	No Restricted Materials Above Threshold
EU REACH Regulation (EC) No. 1907/2006	Current ECHA Candidate List: JUNE 2023 (235) Candidate List Declared Against: JUNE 2023 (235) Does not contain REACH SVHC
Halogen Content	Low Halogen - Br, Cl, F, I < 900 ppm per homogenous material. Also BFR/CFR/PVC Free
Solder Process Capability	Not applicable for solder process capability

#### Product Compliance Disclaimer

This information is provided based on reasonable inquiry of our suppliers and represents our current actual knowledge based on the information they provided. This information is subject to change. The part numbers that TE has identified as EU RoHS compliant have a maximum concentration of 0.1% by weight in homogenous materials for lead, hexavalent chromium, mercury, PBB, PBDE, DBP, BBP, DEHP, DIBP, and 0.01% for cadmium, or qualify for an exemption to these limits as defined in the Annexes of Directive 2011/65/EU (RoHS2). Finished electrical and electronic equipment products will be CE marked as required by Directive 2011/65/EU. Components may not be CE marked. Additionally, the part numbers that TE has identified as EU ELV compliant have a maximum concentration of 0.1% by weight in homogenous materials for lead, hexavalent chromium, and mercury, and 0.01% for cadmium, or qualify for an exemption to these limits

as defined in the Annexes of Directive 2000/53/EC (ELV). Regarding the REACH Regulation, the information TE provides on SVHC in articles for this part number is based on the latest European Chemicals Agency (ECHA) 'Guidance on requirements for substances in articles' posted at this URL: <https://echa.europa.eu/guidance-documents/guidance-on-reach>

## Compatible Parts



TE Part # 60372-1  
SPLICE 1200-2600 .020 BR



TE Part # 485043-1  
SPLICE 4000-9000 .020 BR



TE Part # 61769-1  
SPLICE 1200-2600 .020 BR



TE Part # 485016-1  
SPLICE 500-2200 .030 BR



TE Part # 41459  
SPLICE 800-2600 CMA BR



TE Part # 1217967-1  
SPLICE 8500-14000 .025 BR



TE Part # 40509  
SPLICE 3300 TO 9000 CMA BR



TE Part # 41313  
SPLICE 800-2500 CMA TPBR



TE Part # 41974  
SPLICE 1000-3200 CMA BR

## Also in the Series | SPLICE

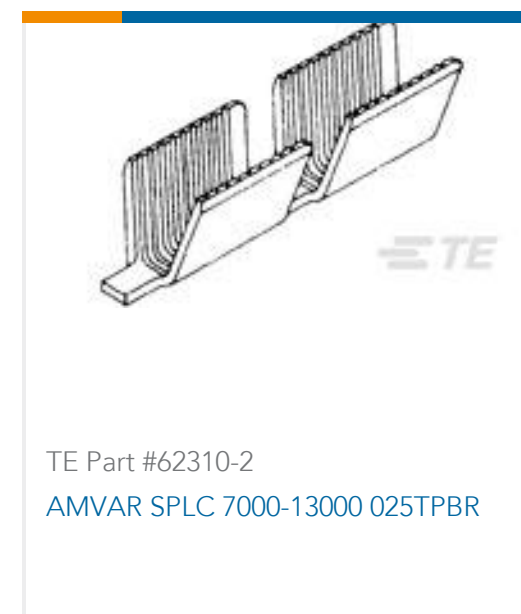
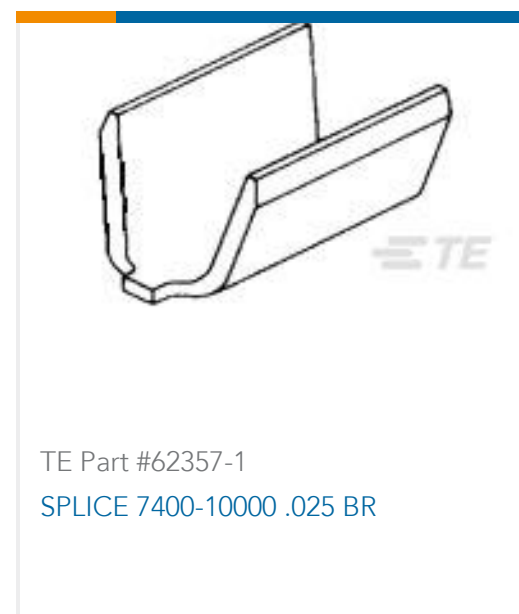


Crimp Wire Pins, Tabs & Ferrules(1)



Splices(64)

## Customers Also Bought



## Documents

### Product Drawings

[SPLICE 400-1300 .016 BR](#)

English

### CAD Files

[3D PDF](#)

3D

Customer View Model

[ENG\\_CVM\\_CVM\\_62759-1\\_U\\_c-62759-1-u.2d\\_dxf.zip](#)

English

Customer View Model

[ENG\\_CVM\\_CVM\\_62759-1\\_U\\_c-62759-1-u.3d\\_igs.zip](#)

English

Customer View Model

[ENG\\_CVM\\_CVM\\_62759-1\\_U\\_c-62759-1-u.3d\\_stp.zip](#)

English

By downloading the CAD file I accept and agree to the [Terms and Conditions](#) of use.

### Product Specifications



### Application Specification

English

---

### Product Environmental Compliance

[MD\\_62759-1\\_02072018733\\_dmtec](#)

English

[MD\\_62759-1\\_02072018733\\_dmtec](#)

English

---

### Agency Approvals

[CSA Certificate](#)

English