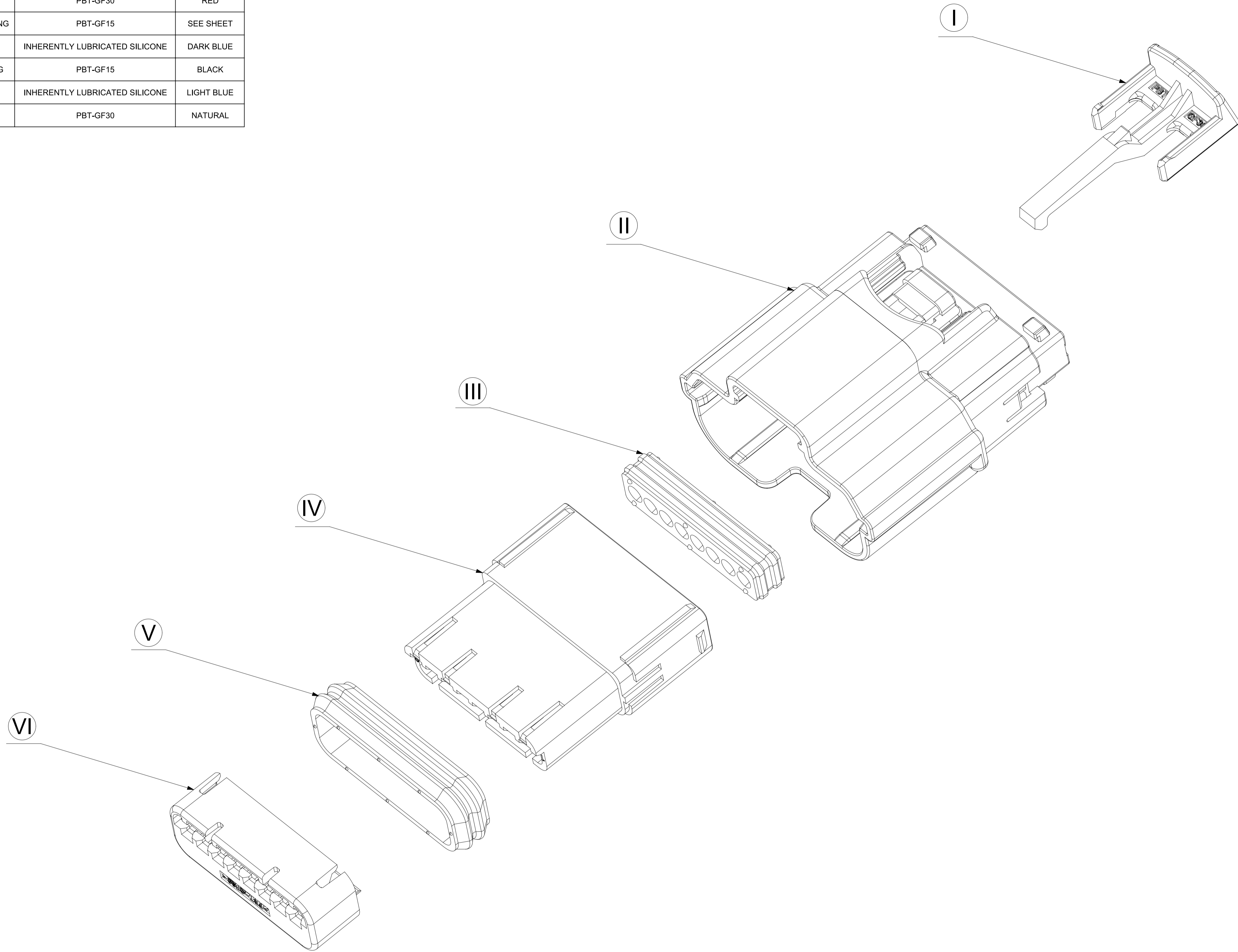


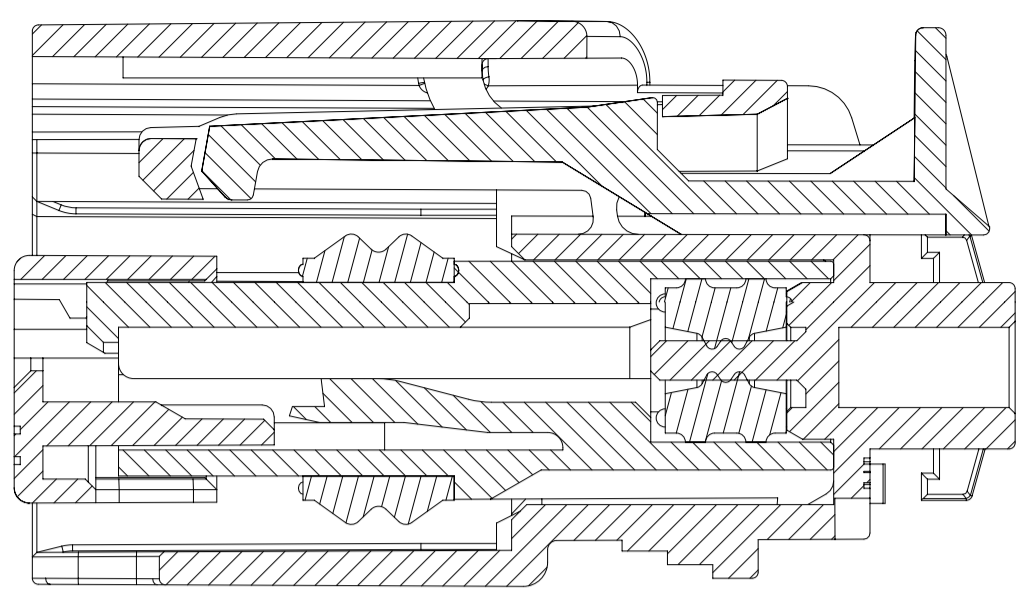
SHEET DESCRIPTION	
BOM	

ITEM NO.	DESCRIPTION	MATERIAL	COLOR
I	CPA	PBT-GF30	RED
II	CONNECTOR HOUSING	PBT-GF15	SEE SHEET
III	MATTE SEAL	INHERENTLY LUBRICATED SILICONE	DARK BLUE
IV	TERMINAL HOUSING	PBT-GF15	BLACK
V	PERIPHERAL SEAL	INHERENTLY LUBRICATED SILICONE	LIGHT BLUE
VI	TPA	PBT-GF30	NATURAL

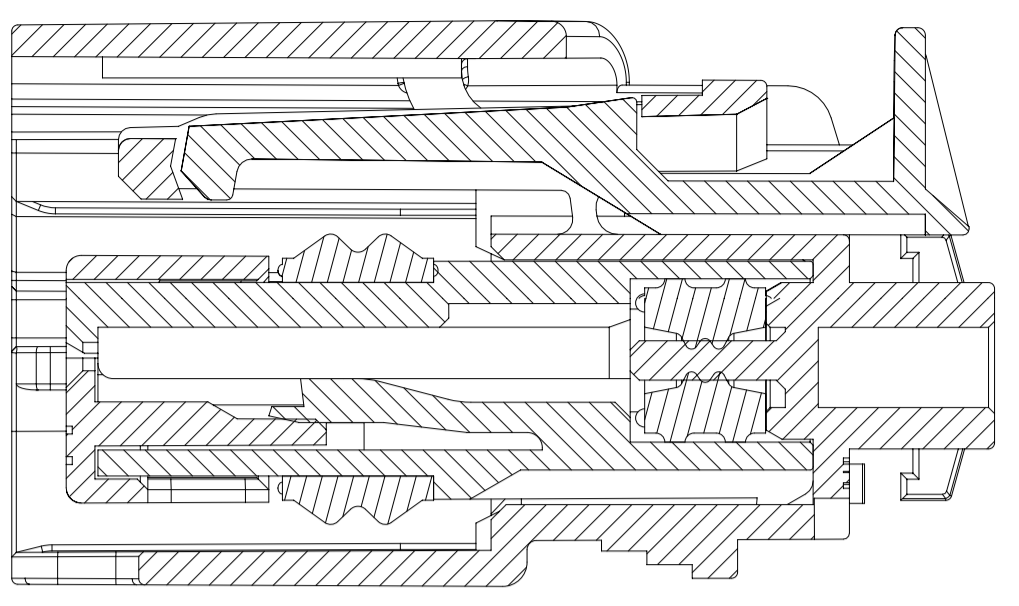


SYMBOLS = 0 = 0 = 0 = 0 = 0 = 0 = 0 = 0 = 0	THIS DRAWING CONTAINS INFORMATION THAT IS PROPRIETARY TO MOLEX ELECTRONIC TECHNOLOGIES, LLC AND SHOULD NOT BE USED WITHOUT WRITTEN PERMISSION		CURRENT REV DESC: EC NO: CO-000000853 DRWN: Yan Allen 15-Apr-2022 CHK'D: Fiona Chen 15-Apr-2022 APPR: Colin Zhang 20-Apr-2022		 USCAR 0.64MM 8 WAY ADD NEW P/N: 314049184/9194					
	DIMENSION UNITS: mm SCALE: 4:1	GENERAL TOLERANCES (UNLESS SPECIFIED) ANGULAR TOL ± 0.5°		INITIAL REVISION: DRWN: Yan Allen 14-Feb-2022 APPR: David Xie 24-Feb-2022						
DRAFT WHERE APPLICABLE MUST REMAIN WITHIN DIMENSIONS			THIRD ANGLE PROJECTION	DRAWING: A1-SIZE	SERIES: 31404	DOCUMENT NUMBER: SD-31404-811	DOC TYPE: PSD	DOC PART: 001	REVISION: G12	
DOCUMENT STATUS: Approved			RELEASE DATE: 20-Apr-2022 01:31:59		MATERIAL NUMBER:		CUSTOMER: GENERAL MARKET		SHEET NUMBER: 2 OF 4	

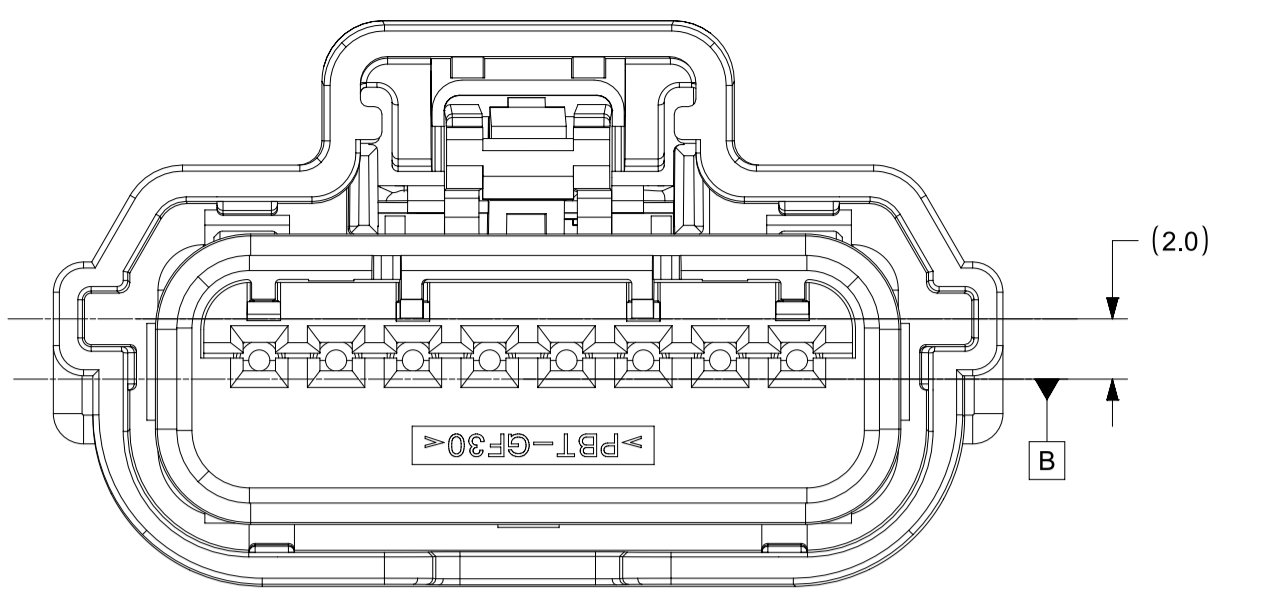
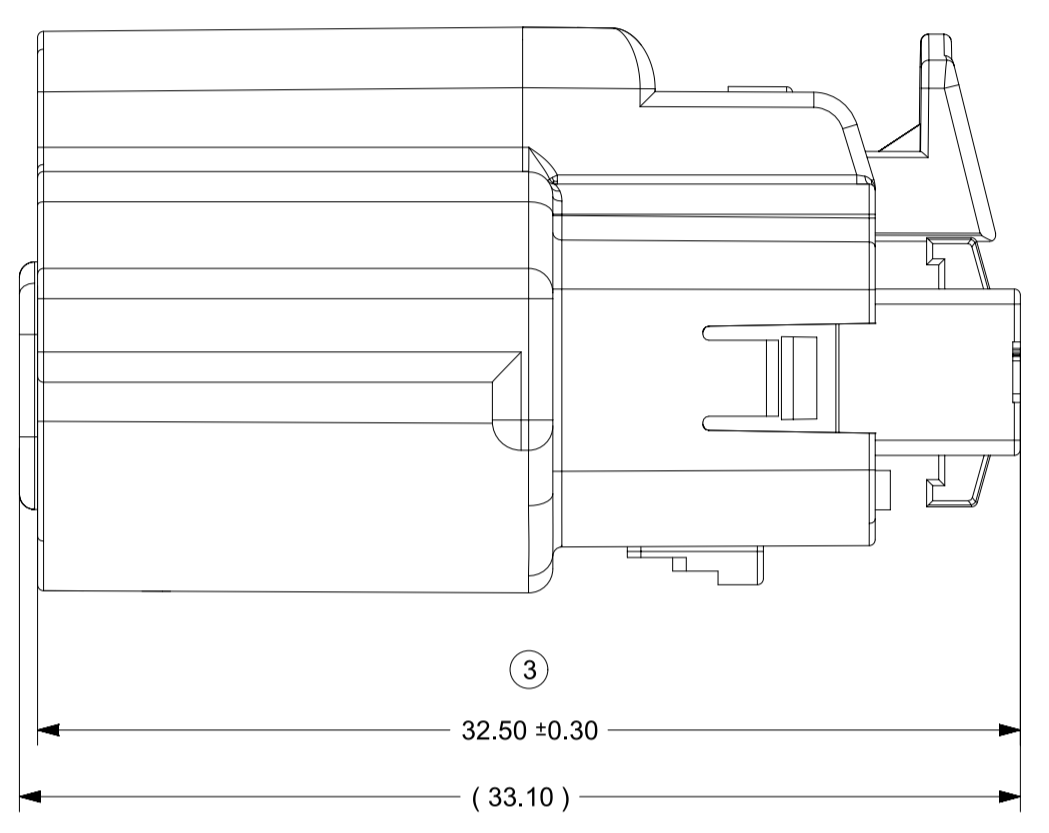
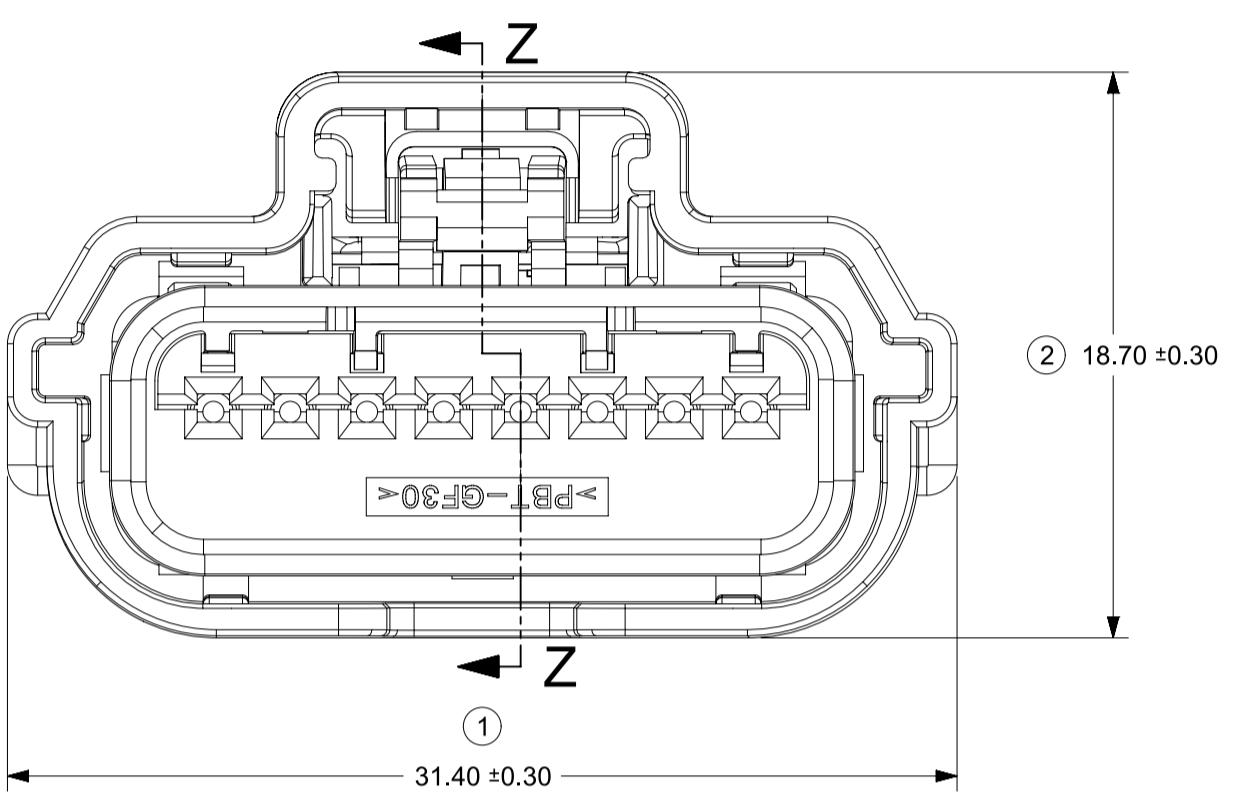
SHEET DESCRIPTION
KEY CONFIGURATIONS



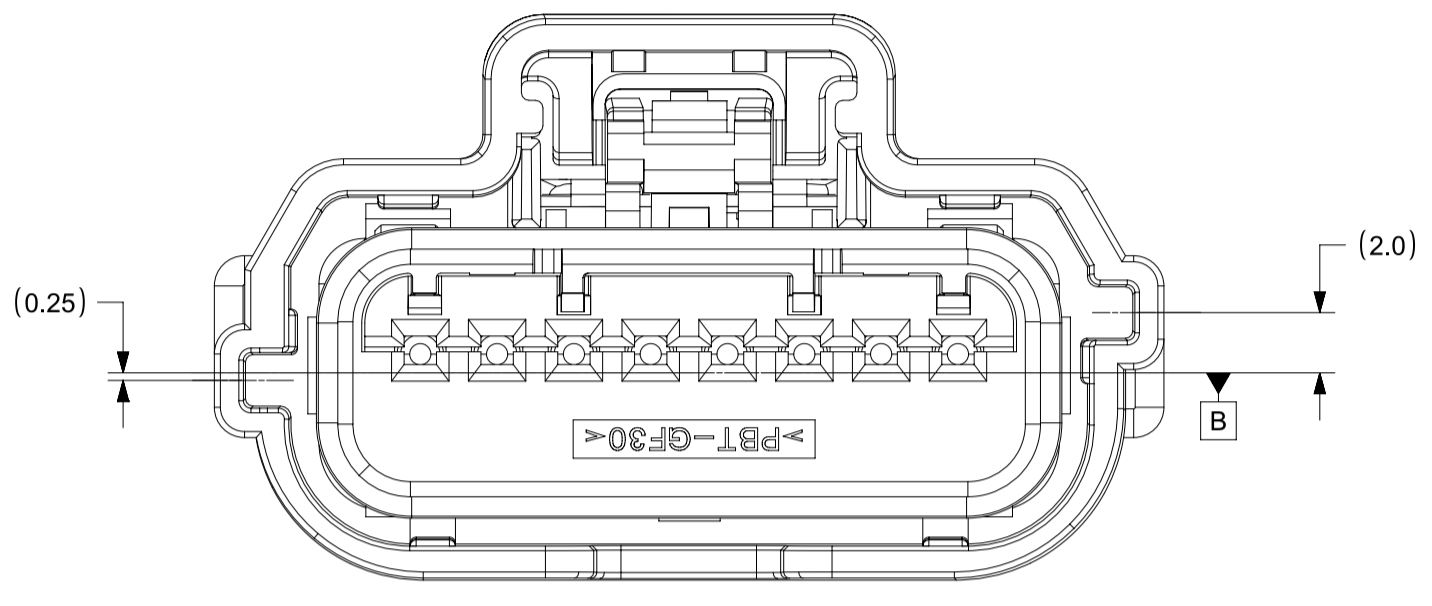
SECTION Z-Z
TPA SHOWN IN AS-SHIPPED
PRE-SET POSITION
SEE NOTE 1-a



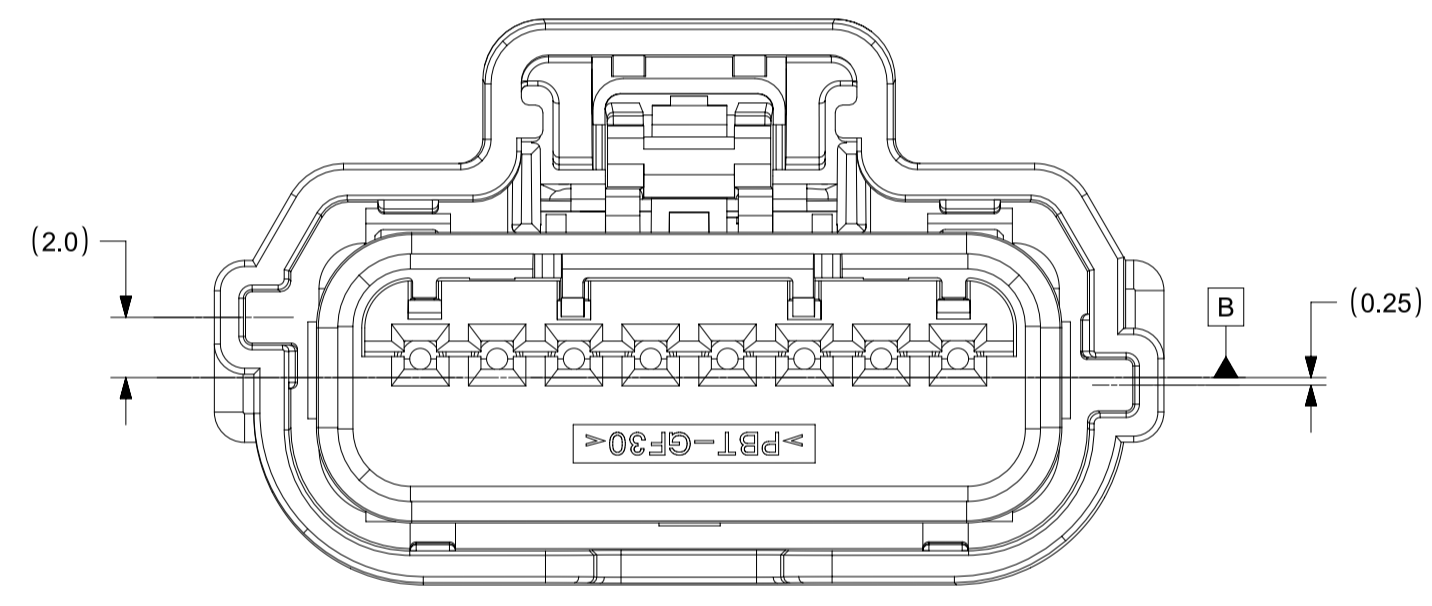
SECTION Y-Y
TPA SHOWN IN FINAL
LOCK POSITION
SEE NOTE 1-a



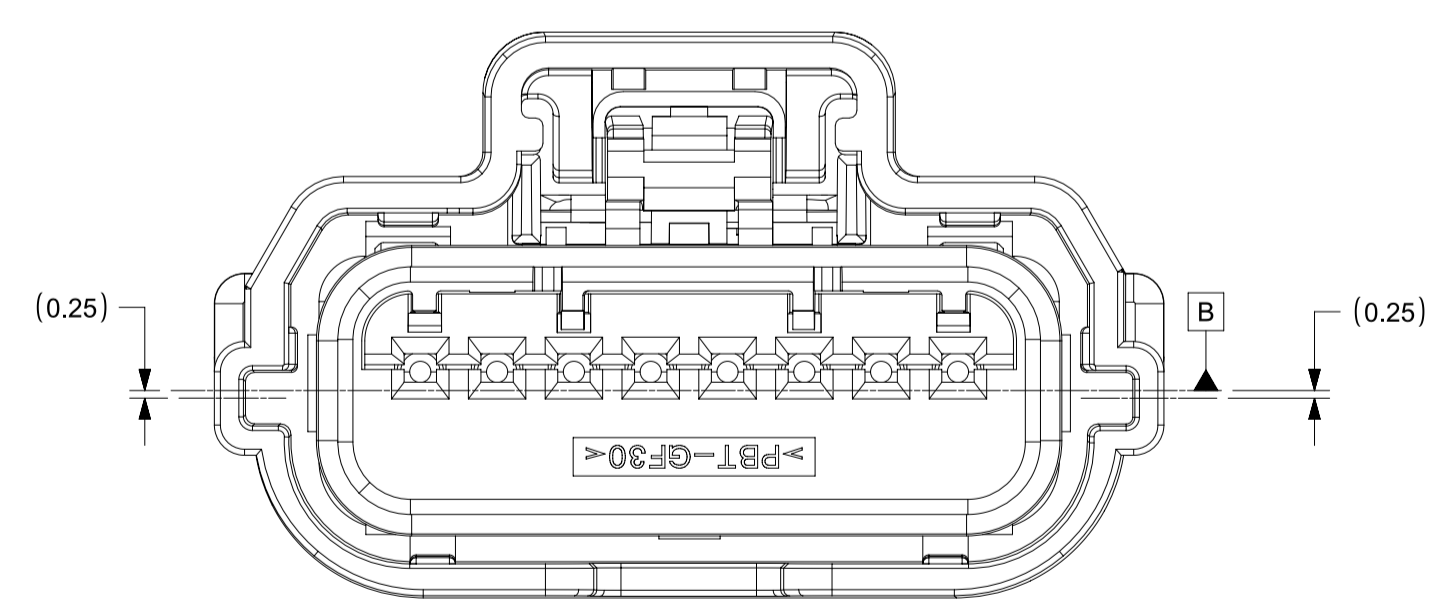
POLARIZATION A



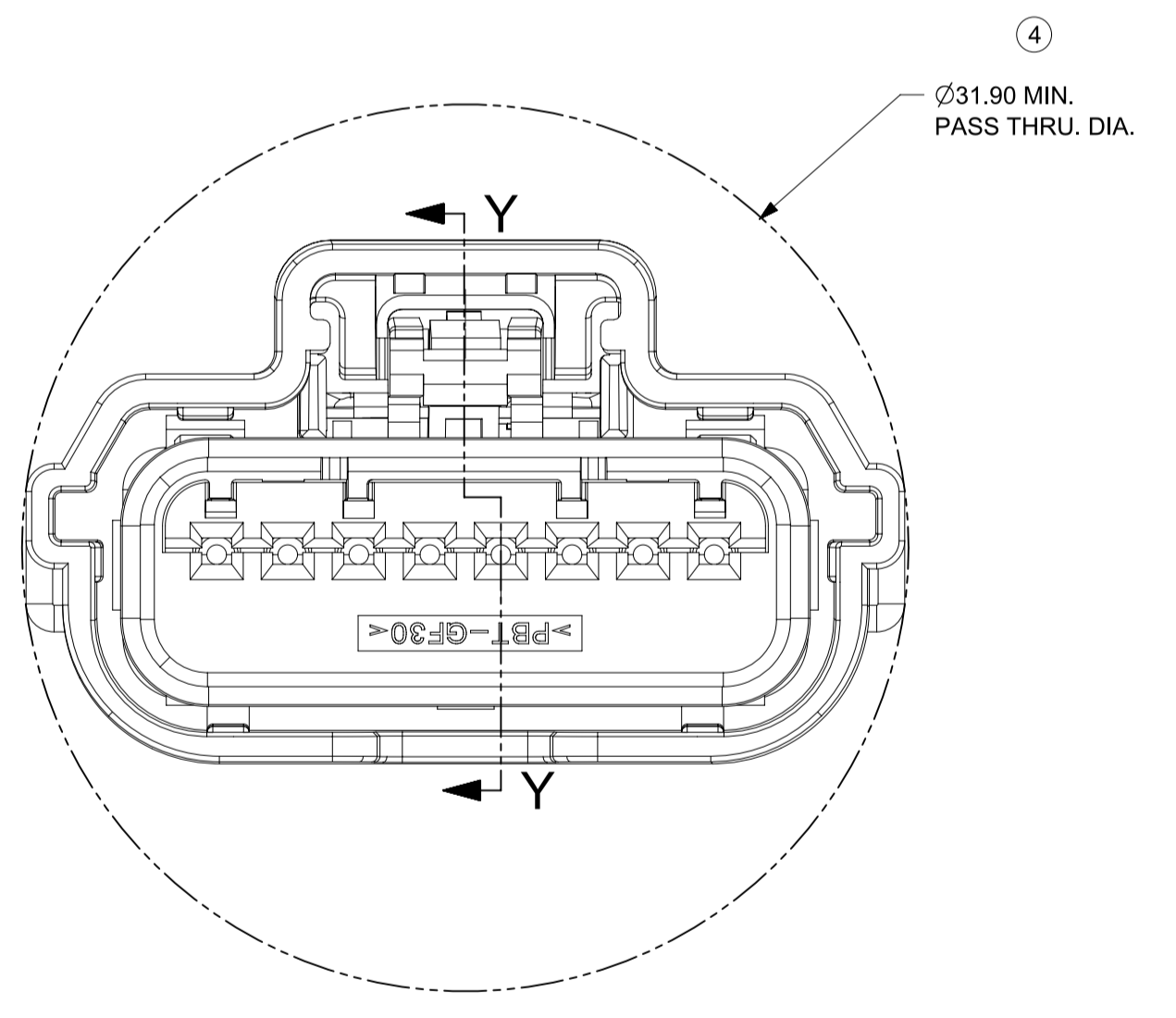
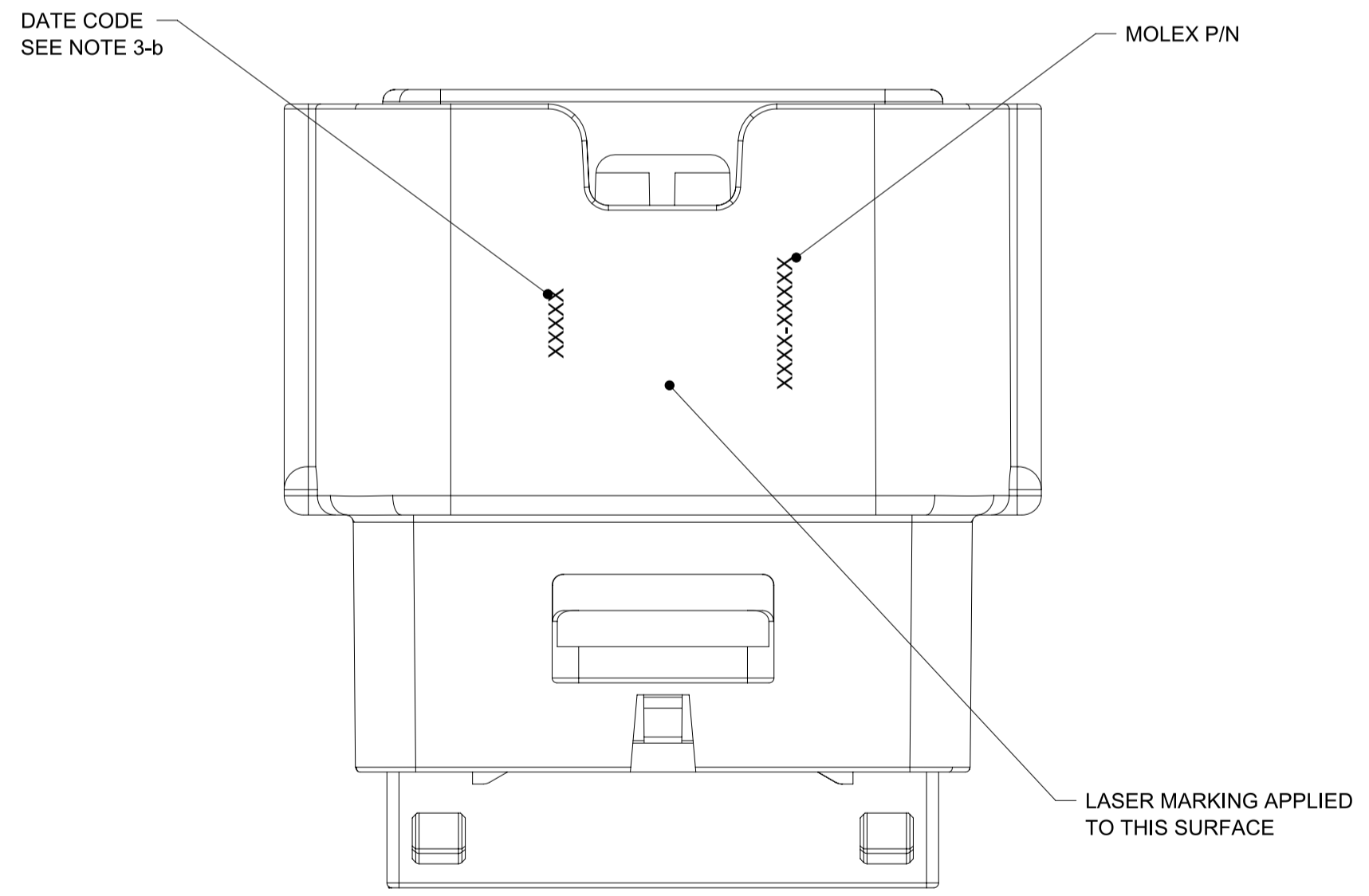
POLARIZATION B



POLARIZATION C

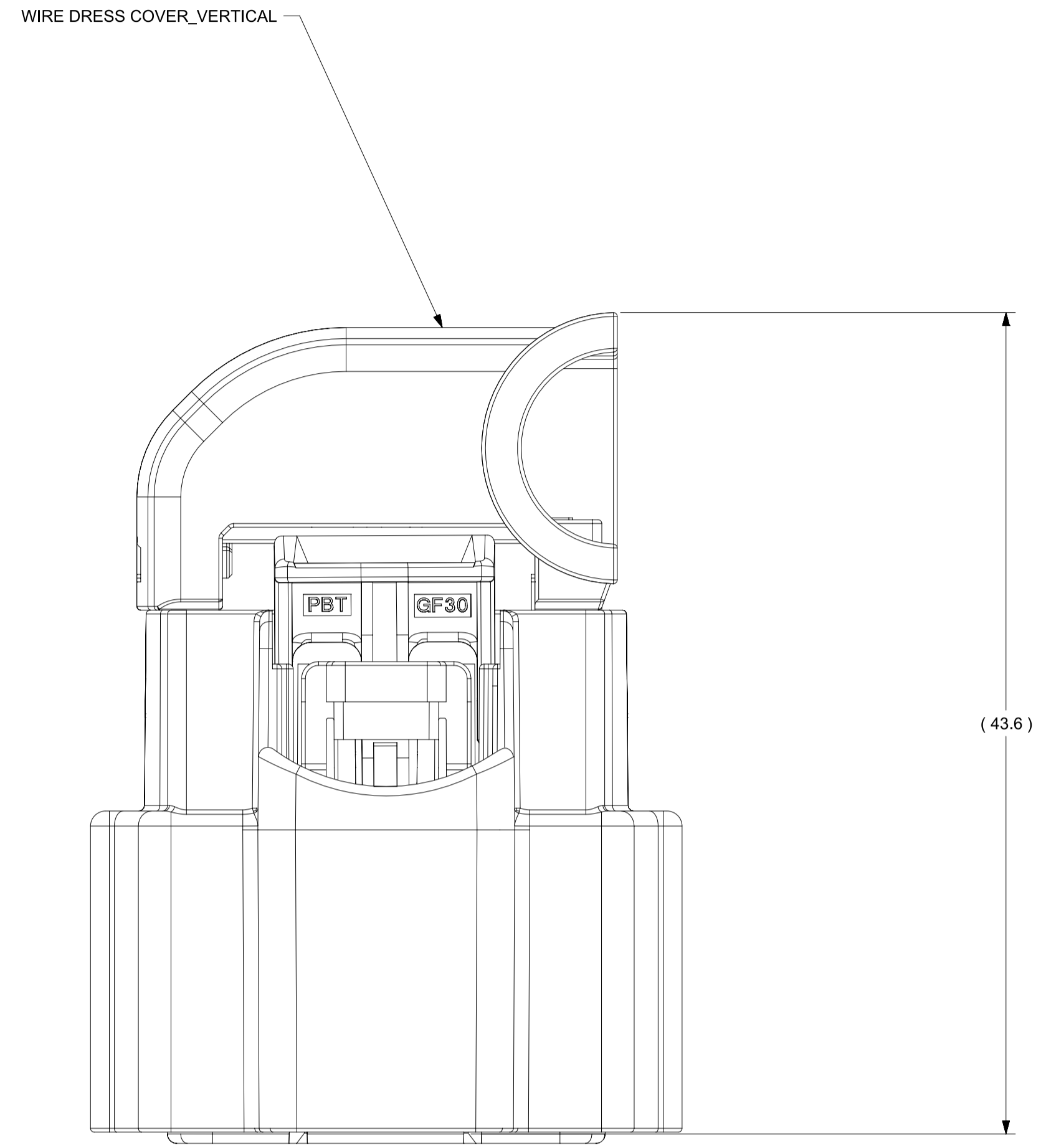
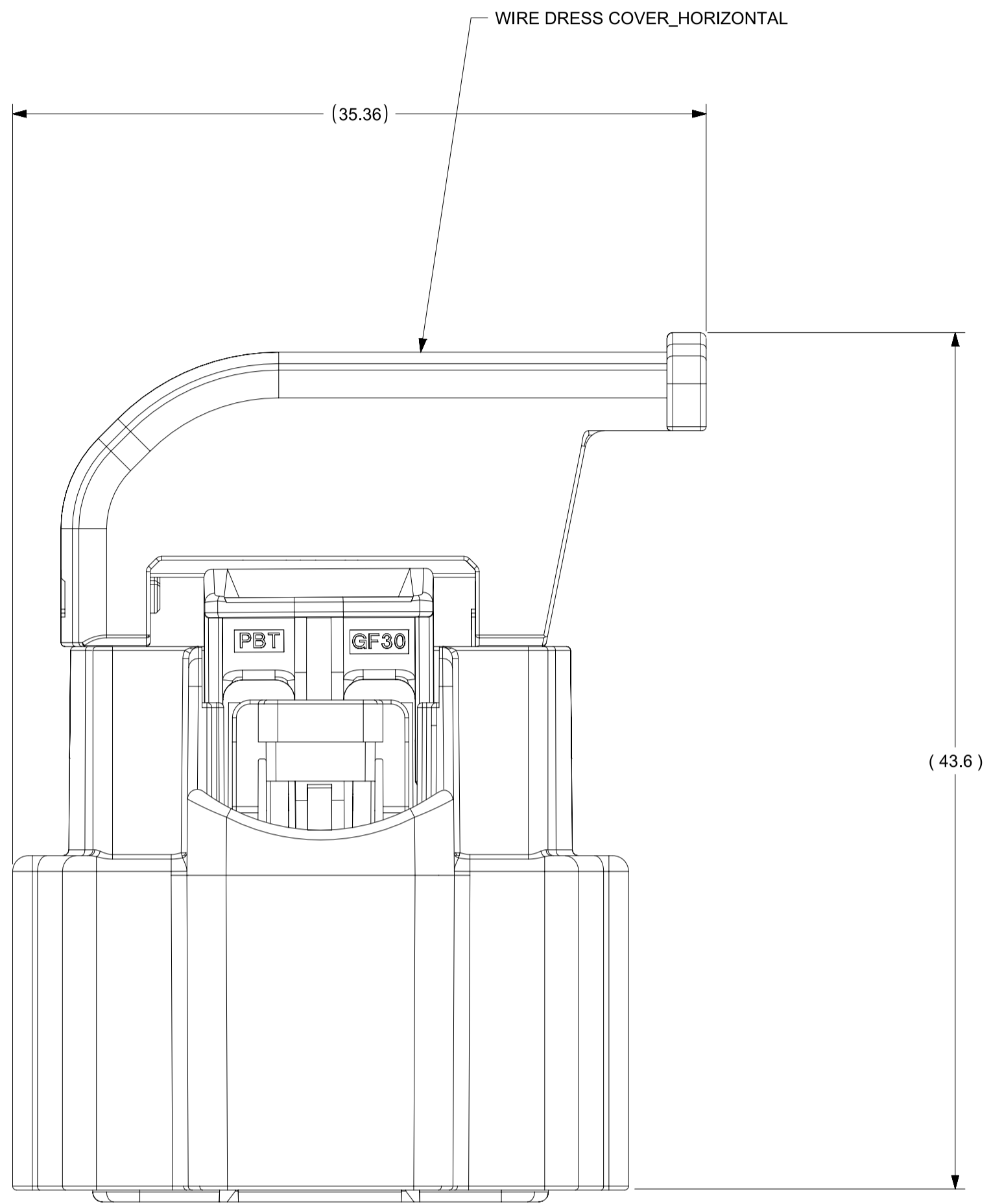


POLARIZATION D



SYMBOLS	THIS DRAWING CONTAINS INFORMATION THAT IS PROPRIETARY TO MOLEX ELECTRONIC TECHNOLOGIES, LLC AND SHOULD NOT BE USED WITHOUT WRITTEN PERMISSION		CURRENT REV DESC:			molex			
	DIMENSION UNITS	SCALE							EC NO: CO-000000853
▽ = 0	mm	4:1	GENERAL TOLERANCES (UNLESS SPECIFIED)			PRODUCT SALES DRAWING			
▽ = 0	ANGULAR TOL ± 0.5°		4 PLACES ± 0	CHK'D: Fiona Chen	15-Apr-2022	DOCUMENT NUMBER	DOC TYPE	DOC PART	REVISION
▽ = 0	3 PLACES ± 0		2 PLACES ± 0	APPR: Colin Zhang	20-Apr-2022	SD-31404-811	PSD	001	G12
▽ = 0	2 PLACES ± 0		1 PLACE ± 0	INITIAL REVISION:		MATERIAL NUMBER			
▽ = 0	1 PLACE ± 0		0 PLACES ± 0	DRWN: Yan Allen	14-Feb-2022	CUSTOMER		SHEET NUMBER	
▽ = 0	0 PLACES ± 0		DRAFT WHERE APPLICABLE MUST REMAIN WITHIN DIMENSIONS			GENERAL MARKET		3 OF 4	
⊕	THIRD ANGLE PROJECTION	DRAWING	SERIES	A1-SIZE		31404			

SHEET DESCRIPTION
WIRE DRESS COVER ASSEMBLY



SYMBOLS = 0 = 0 = 0 = 0 = 0 = 0 = 0 = 0 = 0 = 0	THIS DRAWING CONTAINS INFORMATION THAT IS PROPRIETARY TO MOLEX ELECTRONIC TECHNOLOGIES, LLC AND SHOULD NOT BE USED WITHOUT WRITTEN PERMISSION		CURRENT REV DESC: EC NO: CO-000000853 DRWN: Yan Allen 15-Apr-2022 CHK'D: Fiona Chen 15-Apr-2022 APPR: Colin Zhang 20-Apr-2022		 USCAR 0.64MM 8 WAY ADD NEW P/N: 314049184/9194		
	DIMENSION UNITS mm	SCALE 4:1	GENERAL TOLERANCES (UNLESS SPECIFIED) ANGULAR TOL ± 0.5°				
4 PLACES ± 0 3 PLACES ± 0 2 PLACES ± 0 1 PLACE ± 0 0 PLACES ± 0		INITIAL REVISION: DRWN: Yan Allen 14-Feb-2022 APPR: David Xie 24-Feb-2022		DOCUMENT NUMBER SD-31404-811	DOC TYPE PSD	DOC PART 001	REVISION G12
DRAFT WHERE APPLICABLE MUST REMAIN WITHIN DIMENSIONS		THIRD ANGLE PROJECTION 	DRAWING A1-SIZE	SERIES 31404	MATERIAL NUMBER GENERAL MARKET	CUSTOMER GENERAL MARKET	SHEET NUMBER 4 OF 4