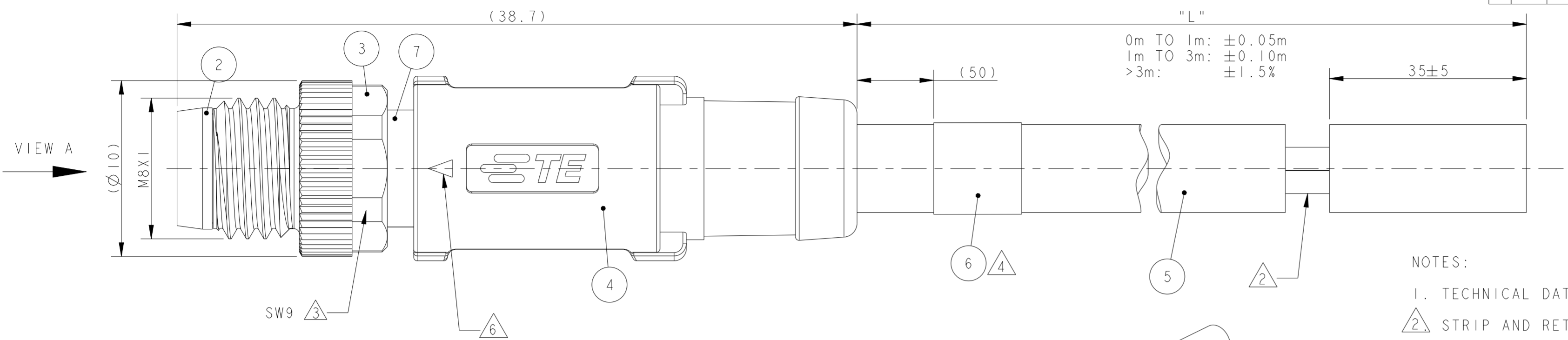


THIS DRAWING IS UNPUBLISHED. RELEASED FOR PUBLICATION 20  
 © COPYRIGHT 20 BY - ALL RIGHTS RESERVED.

P	LTR	DESCRIPTION	DATE	DWN	APVD
A		INITIAL RELEASE	02MAR2016	N.P	X.X
A1		PER ECR-16-010253	21JUL2016	N.P	X.X
A2		PER ECR-16-016206	16NOV2016	G.W	C.W
A3		PER ECR-20-009319	26MAR2021	B.P	C.W



- NOTES:
1. TECHNICAL DATA: SEE TABLE 1
  2. STRIP AND RETAIN THE INSULATION
  3. RECOMMEND TORQUE 0.4Nm
  4. TE LABEL AREA.
  5. -\*: CABLE LENGTH. -0.5:0.5m, -1.0:1.0m, -1.5:1.5m...
  6. INSERT MARK FOR MATING.
  7. ALL PRODUCT MUST COMPLIANCE WITH ROHS AND REACH.
  8. -00X: FOR CABLE LENGTH, SEE TABLE 2 AND REFER TO LENGTH "L"
- 注意事项
1. 技术参数：见表1
  2. 剥线并保留绝缘层；
  3. 推荐扭矩0.4Nm；
  4. TE 标签位置；
  5. - \* 线长：-0.5:0.5m, -1.0:1.0m, -1.5:1.5m
  6. 产品对插标示；
  7. 产品必须符合ROHS与REACH。
  8. -00X：线缆长度，参考表2，参照长度"L"

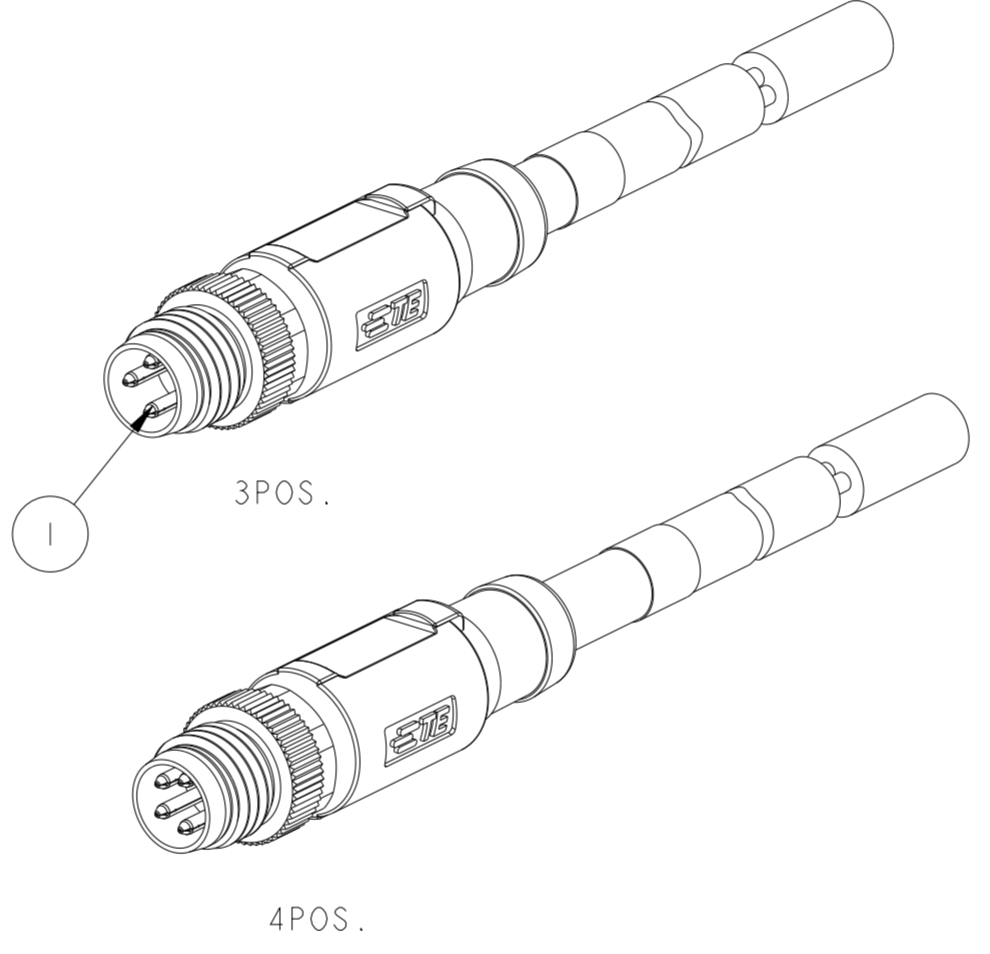
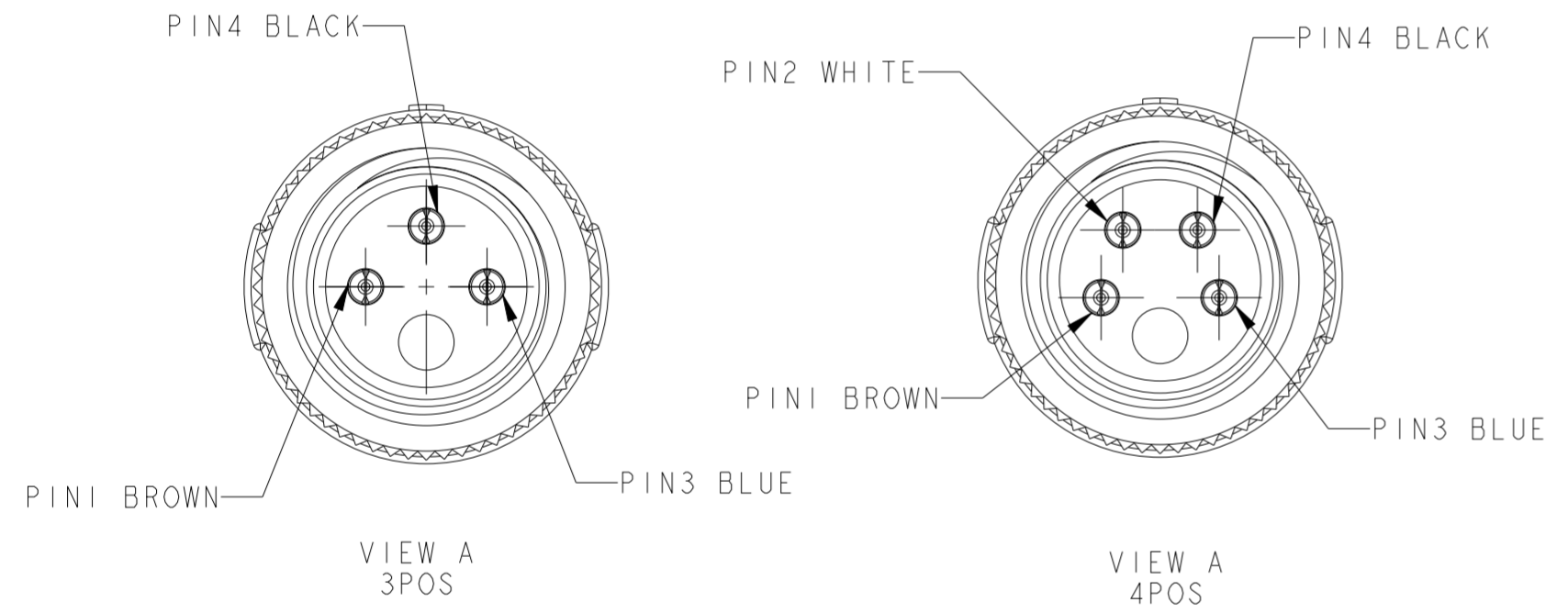


TABLE 1

TECHNICAL DATA	T40611X0003-00X	T40611X0004-00X
RATED VOLTAGE	60V	30V
RATED CURRENT	3A	
POLLETION DEGREE	3	
OVERVOLTAGE CATEGORY	II	
MATERIAL GROUP	II	
DEGREE OF PROTECTION	IP67	

	COPPER ALLOY	SHIELDING	7
-	-	TE LABEL	6
-	-	CABLE	5
BLUE COLOR	POLYURETHANE	OVER-MOLDING	4
-	COPPER ALLOY	COUPLING NUT	3
BALCK COLOR	PA66	HOUSING	2
GOLD FLASH	COPPER ALLOY	CONTACT	1
COMMENTS	MATERIAL	DESCRIPITON	ITEM

CABLE CHARACTERISTIC	LENGTH "L"	CABLE TEMP. RANGE	JACKET COLOR	JACKET MATERIAL	TYPE	POS.	TABLE 2
							PART NUMBER
WIRES: 0.25mm <sup>2</sup> (24AWG)	FIXED: -40°C~80°C FLXIBLE: -25°C~80°C	GRAY	PUR (UL)	RPC-M8-MS-4CON-PUR-**SH	4	T4061120004-00X	
				RPC-M8-MS-3CON-PUR-**SH	3	T4061120003-00X	
	FIXED: -10°C~80°C FLXIBLE: -5°C~80°C	BLACK	PVC (UL)	RPC-M8-MS-4CON-PVC-**SH	4	T4061110004-00X	
				RPC-M8-MS-3CON-PVC-**SH	3	T4061110003-00X	

THIS DRAWING IS A CONTROLLED DOCUMENT.

DIMENSIONS: mm

TOLERANCES UNLESS OTHERWISE SPECIFIED:

0 PLC	±	0.50
1 PLC	±	0.35
2 PLC	±	
3 PLC	±	
4 PLC	±	
ANGLES	±	
FINISH		

MATERIAL: -

APVD: Xiang Xu 21JAN2016

NAME: M8 CABLE ASSEMBLY MALE SIDE SINGLE ENDED, SHIELDED TYPE

APPLICATION SPEC: 108-106140

SIZE: A2

CAGE CODE: -

DRAWING NO: T40611X000X00X

RESTRICTED TO: -

SCALE: 1:1

SHEET: 1 OF 1

REV: A3

CUSTOMER DRAWING