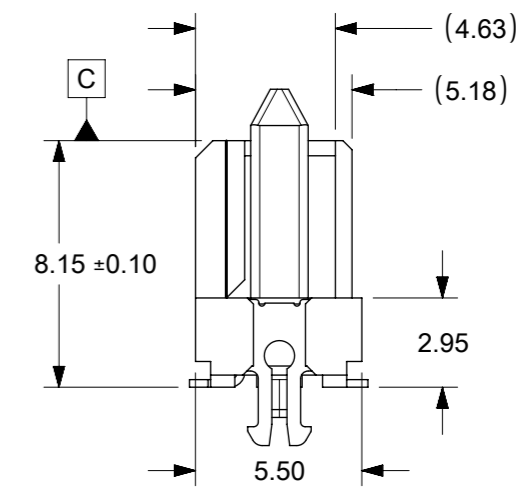
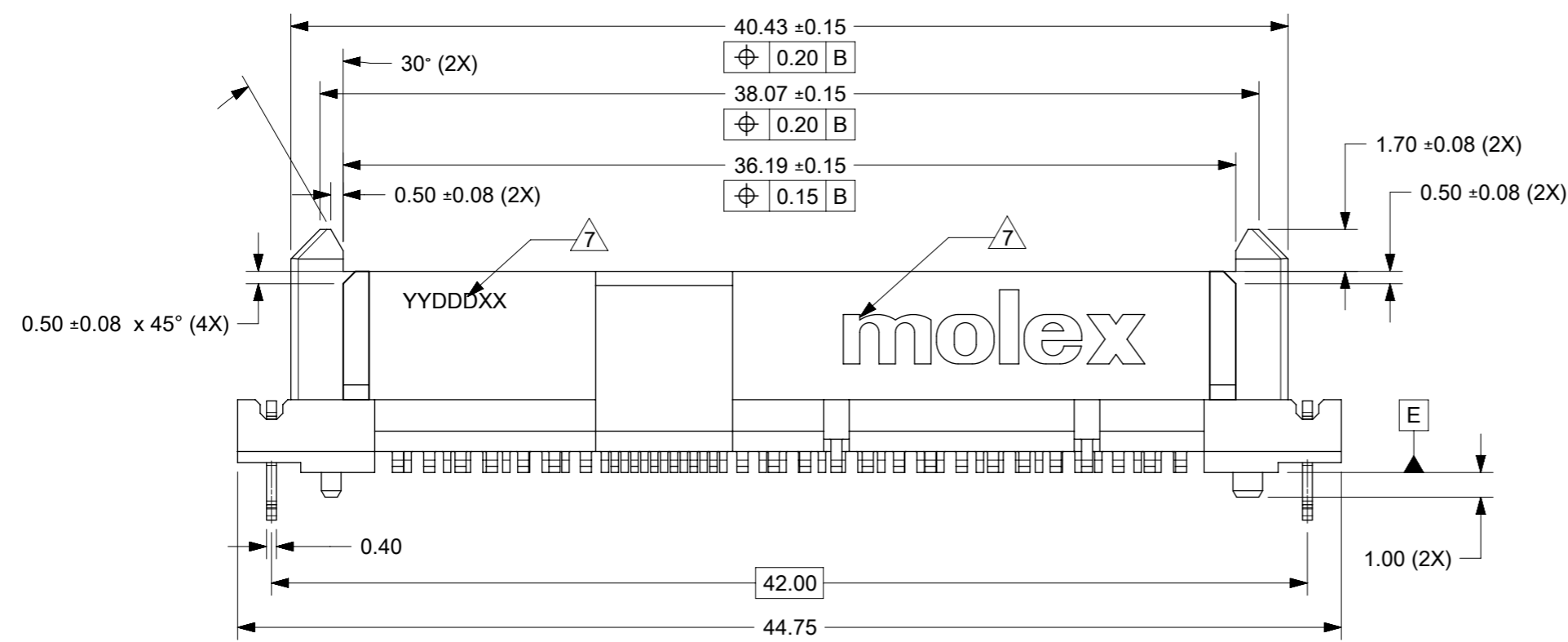


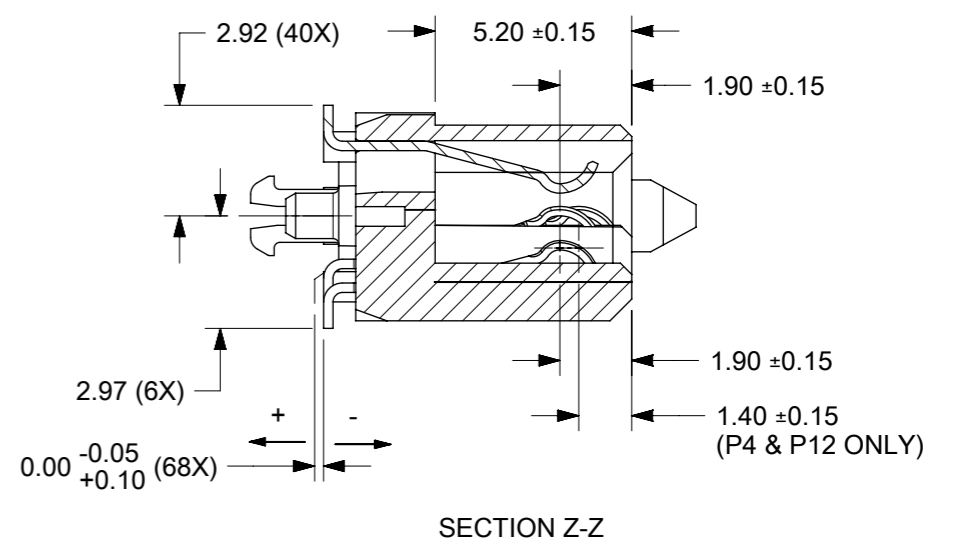
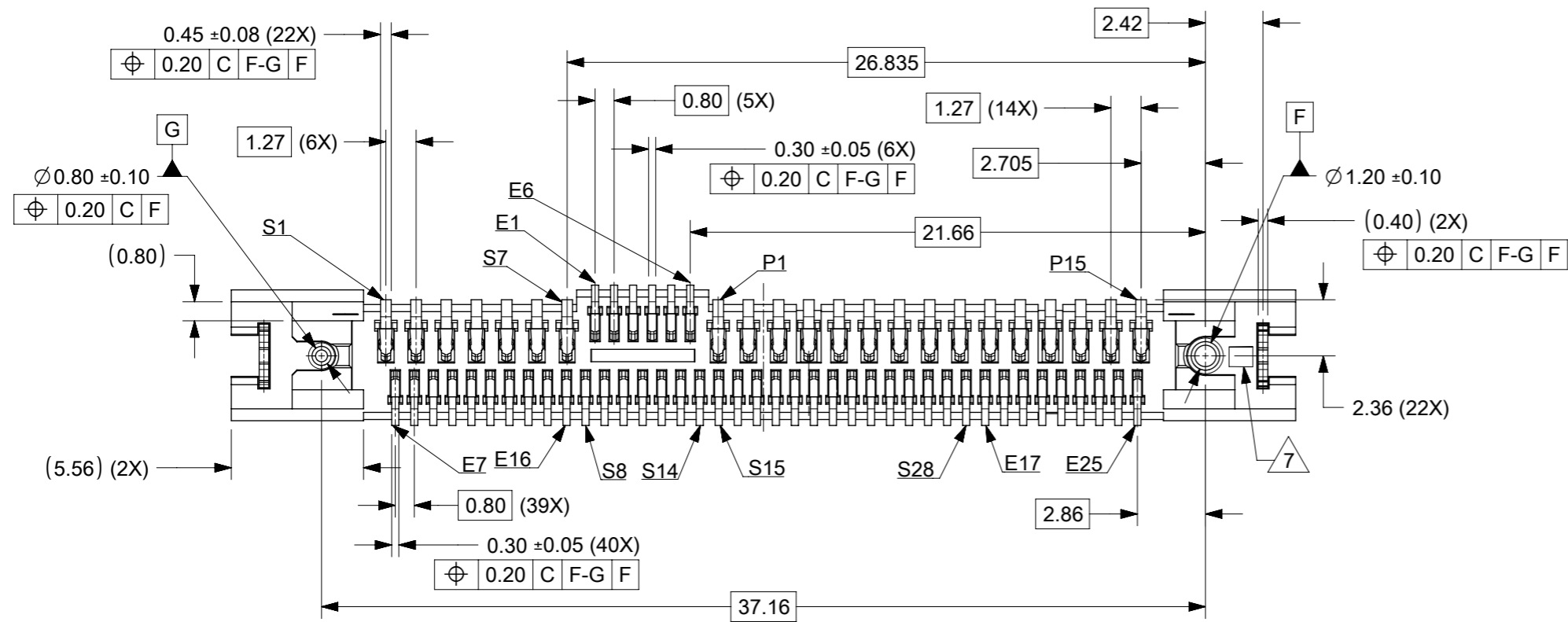
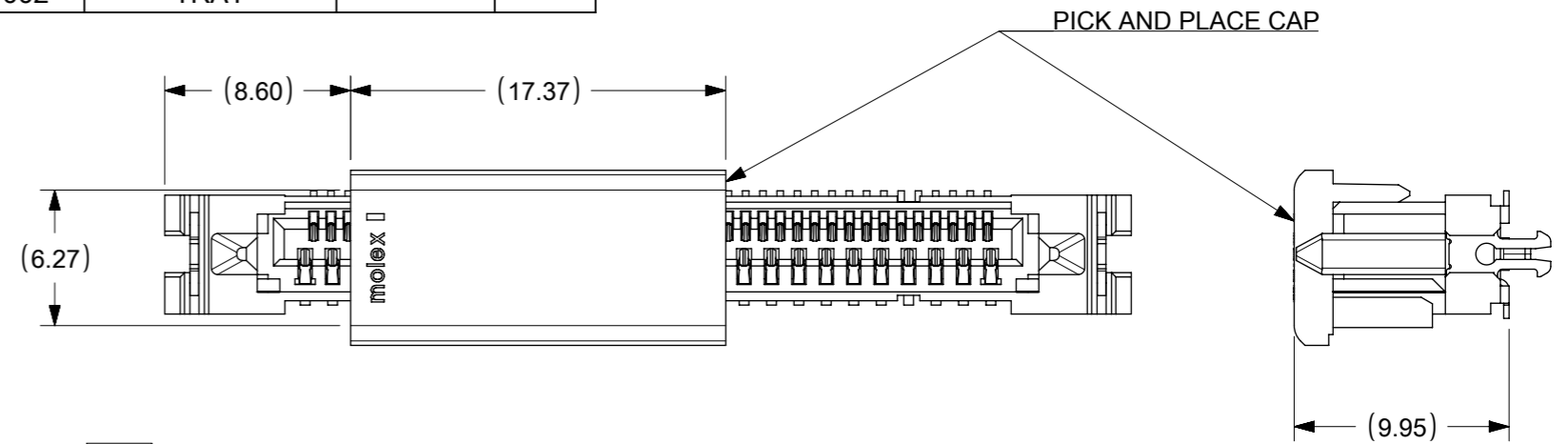
- NOTES:
- MATERIALS:  
HOUSING: LCP, GLASS FILLED, UL94V-0, COLOR: BLACK  
TERMINALS & SMT CLIP: COPPER ALLOY
  - FINISHES:  
TERMINALS:  
0.76µM MIN GOLD ON CONTACTS OVER 1.27µM MIN NICKEL UNDERPLATE.  
2.54µM MIN MATTE TIN ON SOLDER TAIL OVER 1.27µM MIN NICKEL UNDERPLATE.  
SMT CLIP:  
2.54µM MIN MATTE TIN OVER 1.27µM MIN NICKEL UNDERPLATE
  - PRODUCT SPECIFICATION: PS-78777-001
  - PACKAGING SPECIFICATION: PK-78777-001
  - REFER TO AS-78777-001 FOR PCB ROUTING RECOMMENDATIONS.
  - NON FUNCTIONAL CORING TO VARIES.
  - MOLEX LOGO, DATE CODE AND CAVITY ID TO BE LOCATED APPROXIMATELY AS SHOWN.
  - PRODUCT IS COMPLIANT TO RoHS DIRECTIVE WITH THE FOLLOWING BANNED SUBSTANCES - LEAD, MERCURY, CADMIUM, HEXAVALENT CHROMIUM, POLYBROMINATED BIPHENYLS AND POLYBROMINATED DIPHENYL ETHERS.



YYDDDX
   
 YEAR →
   
 DAYS →
   
 ASSEMBLY LINE CODE →

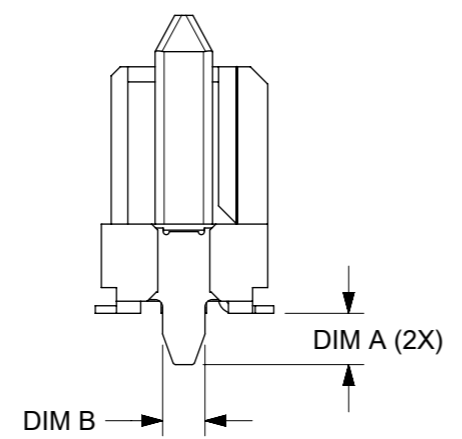
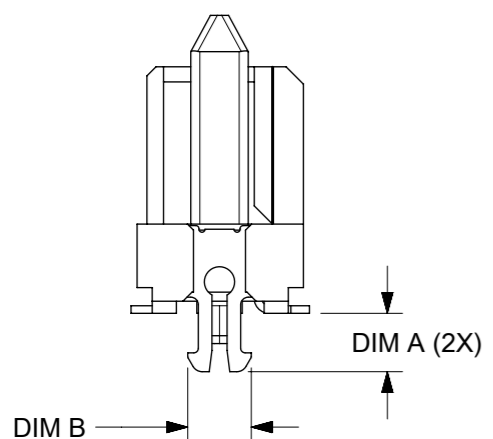
THIS DRAWING CONTAINS INFORMATION THAT IS PROPRIETARY TO MOLEX ELECTRONIC TECHNOLOGIES, LLC AND SHOULD NOT BE USED WITHOUT WRITTEN PERMISSION		CURRENT REV DESC:			
DIMENSION UNITS	SCALE				
mm	NTS			SAS/PCIE STD HEIGHT BACKPLANE SMT RECEPTACLE	
GENERAL TOLERANCES (UNLESS SPECIFIED)				PRODUCT CUSTOMER DRAWING	
ANGULAR TOL	± 3.0°			DOCUMENT NUMBER	
4 PLACES	±	EC NO: 704203	2022/04/22	SD-78777-101	
3 PLACES	±	DRWN: ABELD2	2022/05/17	DOC TYPE	DOC PART
2 PLACES	± 0.2	CHK'D: JKACHLIC	2022/05/17	PSD	000
1 PLACE	±	APPR: JKACHLIC	2022/05/17	REVISION	
0 PLACES	±	INITIAL REVISION:		B2	
DRAFT WHERE APPLICABLE MUST REMAIN WITHIN DIMENSIONS		DRWN: CGOH	2013/04/05	MATERIAL NUMBER	
THIRD ANGLE PROJECTION		APPR: BOKOK	2013/04/17	CUSTOMER	
DRAWING		SERIES		SHEET NUMBER	
A3-SIZE		78777		1 OF 4	

PART NO	HOLD DOWN	BLADE/ FORKLOCK HEIGHT DIM A (2X)	PICK & PLACE CAP	PACKAGING SPECIFICATION	PACKAING	DIM T $\triangle 9$	DIM B
78777-1002	FORKLOCK	1.93	YES	PK-78777-001	TAPE AND REEL	2.36±0.10	2.10
78777-1003	FORKLOCK			PK-78777-002	TRAY		
78777-1004	MOUNT BLADE	1.70	YES	PK-78777-001	TAPE AND REEL	1.30±0.10	1.40
78777-1005	MOUNT BLADE			PK-78777-002	TRAY		

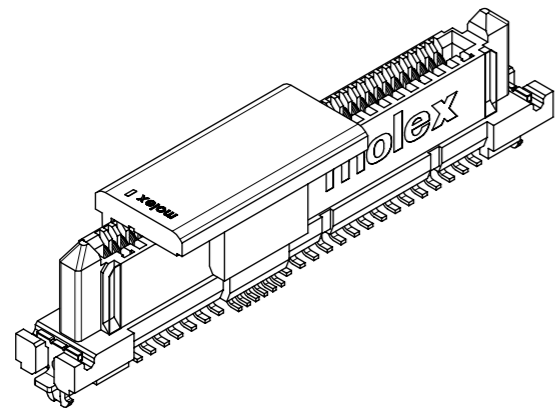
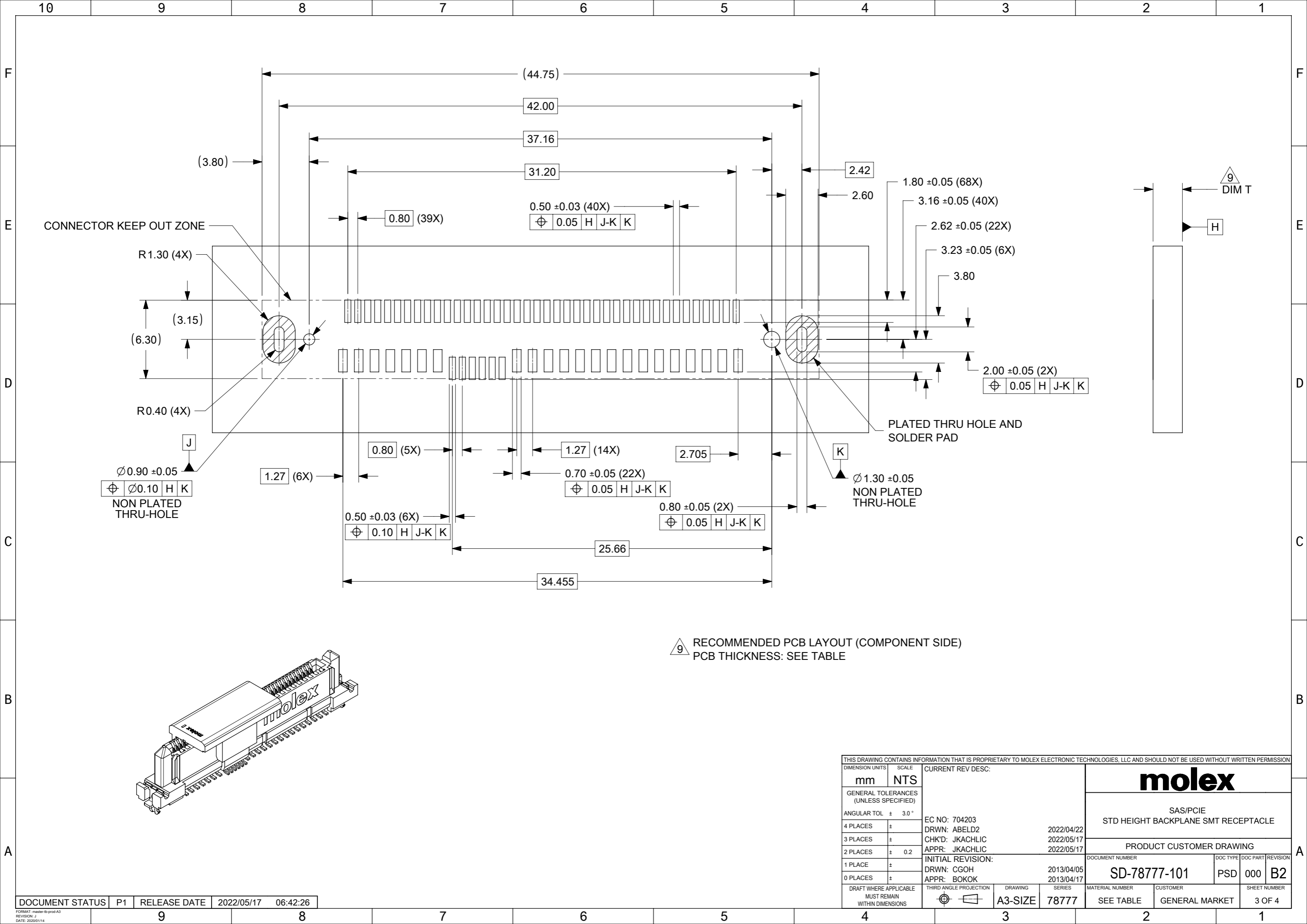


FORKLOCK OPTION

MOUNT BLADE OPTION



THIS DRAWING CONTAINS INFORMATION THAT IS PROPRIETARY TO MOLEX ELECTRONIC TECHNOLOGIES, LLC AND SHOULD NOT BE USED WITHOUT WRITTEN PERMISSION		CURRENT REV DESC:		<b>molex</b>	
DIMENSION UNITS	SCALE				
mm	NTS			SAS/PCIE STD HEIGHT BACKPLANE SMT RECEPTACLE	
GENERAL TOLERANCES (UNLESS SPECIFIED)				PRODUCT CUSTOMER DRAWING	
ANGULAR TOL	± 3.0°			DOCUMENT NUMBER	
4 PLACES	±	EC NO: 704203	2022/04/22	SD-78777-101	
3 PLACES	±	DRWN: ABELD2	2022/05/17	DOC TYPE	DOC PART
2 PLACES	± 0.2	CHK'D: JKACHLIC	2022/05/17	PSD	000
1 PLACE	±	APPR: JKACHLIC	2022/05/17	REVISION	B2
0 PLACES	±	INITIAL REVISION:		SHEET NUMBER	
DRAFT WHERE APPLICABLE MUST REMAIN WITHIN DIMENSIONS		DRWN: CGOH	2013/04/05	MATERIAL NUMBER	
THIRD ANGLE PROJECTION		APPR: BOKOK	2013/04/17	CUSTOMER	
DRAWING		SERIES		GENERAL MARKET	
A3-SIZE		78777		2 OF 4	



9 RECOMMENDED PCB LAYOUT (COMPONENT SIDE)  
PCB THICKNESS: SEE TABLE

THIS DRAWING CONTAINS INFORMATION THAT IS PROPRIETARY TO MOLEX ELECTRONIC TECHNOLOGIES, LLC AND SHOULD NOT BE USED WITHOUT WRITTEN PERMISSION		CURRENT REV DESC:		<b>molex</b>	
DIMENSION UNITS	SCALE				
mm	NTS			SAS/PCIE STD HEIGHT BACKPLANE SMT RECEPTACLE	
GENERAL TOLERANCES (UNLESS SPECIFIED)				PRODUCT CUSTOMER DRAWING	
ANGULAR TOL	± 3.0°			DOCUMENT NUMBER	
4 PLACES	±	EC NO: 704203	2022/04/22	SD-78777-101	
3 PLACES	±	DRWN: ABELD2	2022/05/17	DOC TYPE	DOC PART
2 PLACES	± 0.2	CHK'D: JKACHLIC	2022/05/17	PSD	000
1 PLACE	±	APPR: JKACHLIC	2022/05/17	REVISION	
0 PLACES	±	INITIAL REVISION:		B2	
DRAFT WHERE APPLICABLE MUST REMAIN WITHIN DIMENSIONS		THIRD ANGLE PROJECTION	DRAWING	SERIES	MATERIAL NUMBER
			A3-SIZE	78777	CUSTOMER
					GENERAL MARKET
					SHEET NUMBER
					3 OF 4

DOCUMENT STATUS	P1	RELEASE DATE	2022/05/17	06:42:26
-----------------	----	--------------	------------	----------

10

9

8

7

6

5

4

3

2

1

F

F

E

E

D

D

C

C

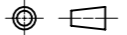
B

B

A

A

REV.	DATE	DESCRIPTION
B2	2022/04/22	SHEET 1:A7 UPDATE THE ASSEMBLY LINE CODE.

THIS DRAWING CONTAINS INFORMATION THAT IS PROPRIETARY TO MOLEX ELECTRONIC TECHNOLOGIES, LLC AND SHOULD NOT BE USED WITHOUT WRITTEN PERMISSION									
DIMENSION UNITS		SCALE		CURRENT REV DESC:				<b>molex</b>	
mm		NTS							
GENERAL TOLERANCES (UNLESS SPECIFIED)				EC NO: 704203				SAS/PCIE	
ANGULAR TOL ± 3.0 °				DRWN: ABELD2 2022/04/22				STD HEIGHT BACKPLANE SMT RECEPTACLE	
4 PLACES ±				CHK'D: JKACHLIC 2022/05/17				PRODUCT CUSTOMER DRAWING	
3 PLACES ±				APPR: JKACHLIC 2022/05/17				DOCUMENT NUMBER	
2 PLACES ± 0.2				INITIAL REVISION:				SD-78777-101	
1 PLACE ±				DRWN: CGOH 2013/04/05				DOC TYPE	
0 PLACES ±				APPR: BOKOK 2013/04/17				PSD	
DRAFT WHERE APPLICABLE MUST REMAIN WITHIN DIMENSIONS				THIRD ANGLE PROJECTION		DRAWING		SERIES	
						A3-SIZE		78777	
						MATERIAL NUMBER		CUSTOMER	
								GENERAL MARKET	
								SHEET NUMBER	
								4 OF 4	

DOCUMENT STATUS	P1	RELEASE DATE	2022/05/17 06:42:26
-----------------	----	--------------	---------------------

10

9

8

7

6

5

4

3

2

1