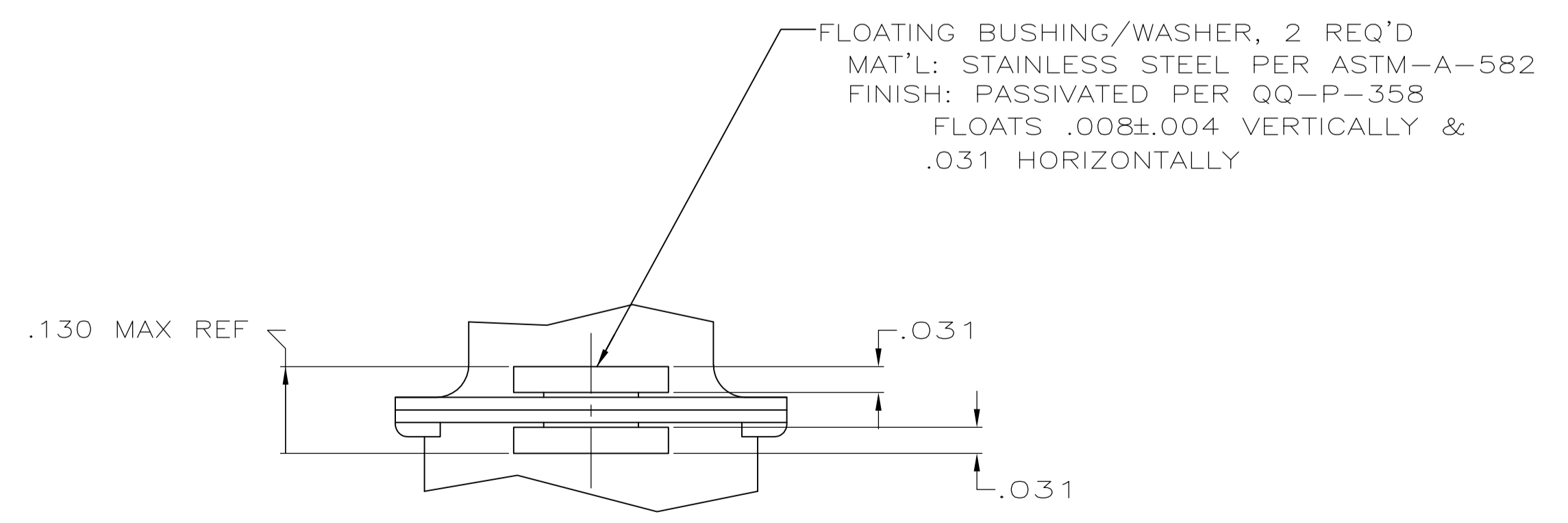
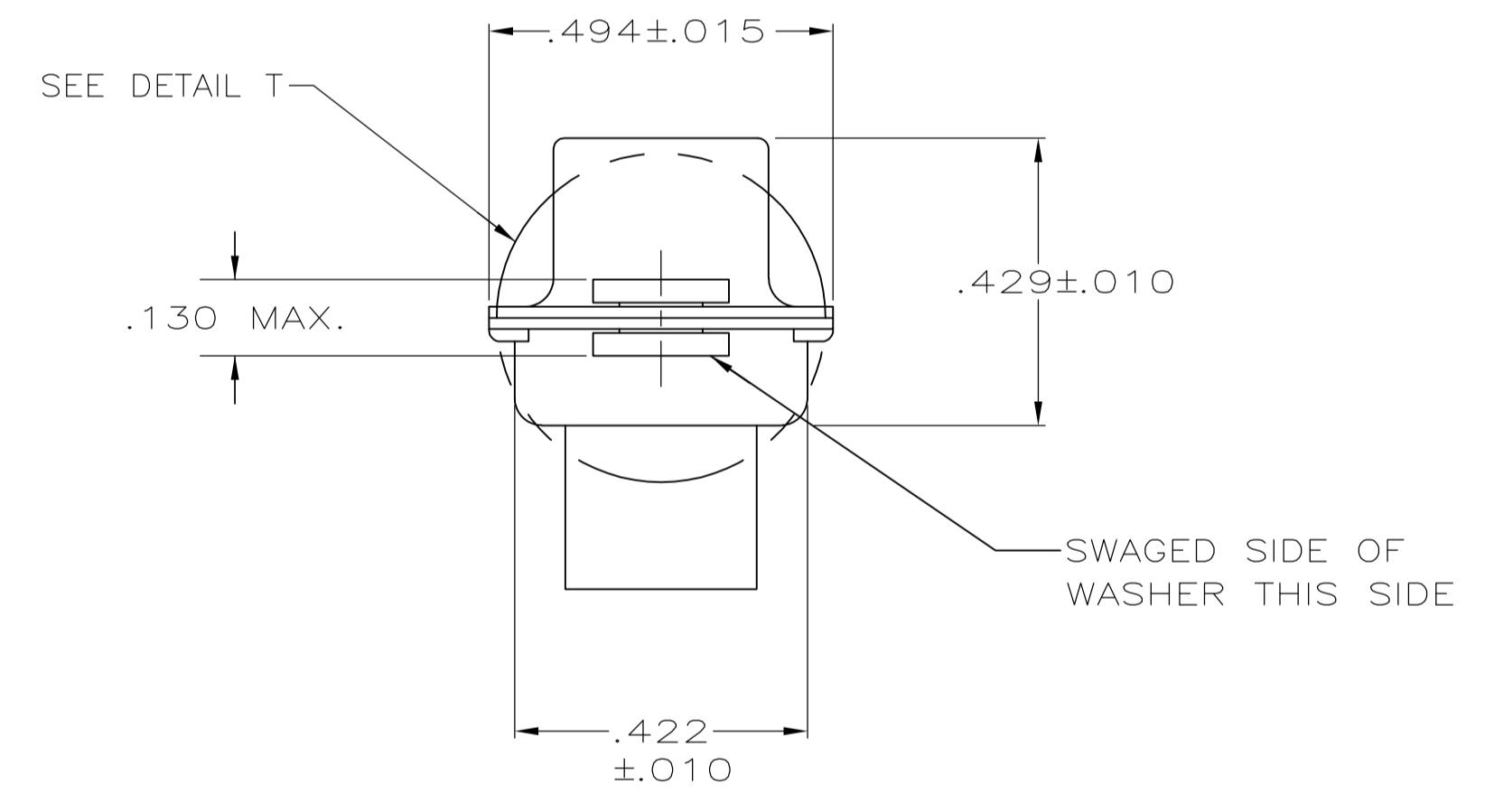
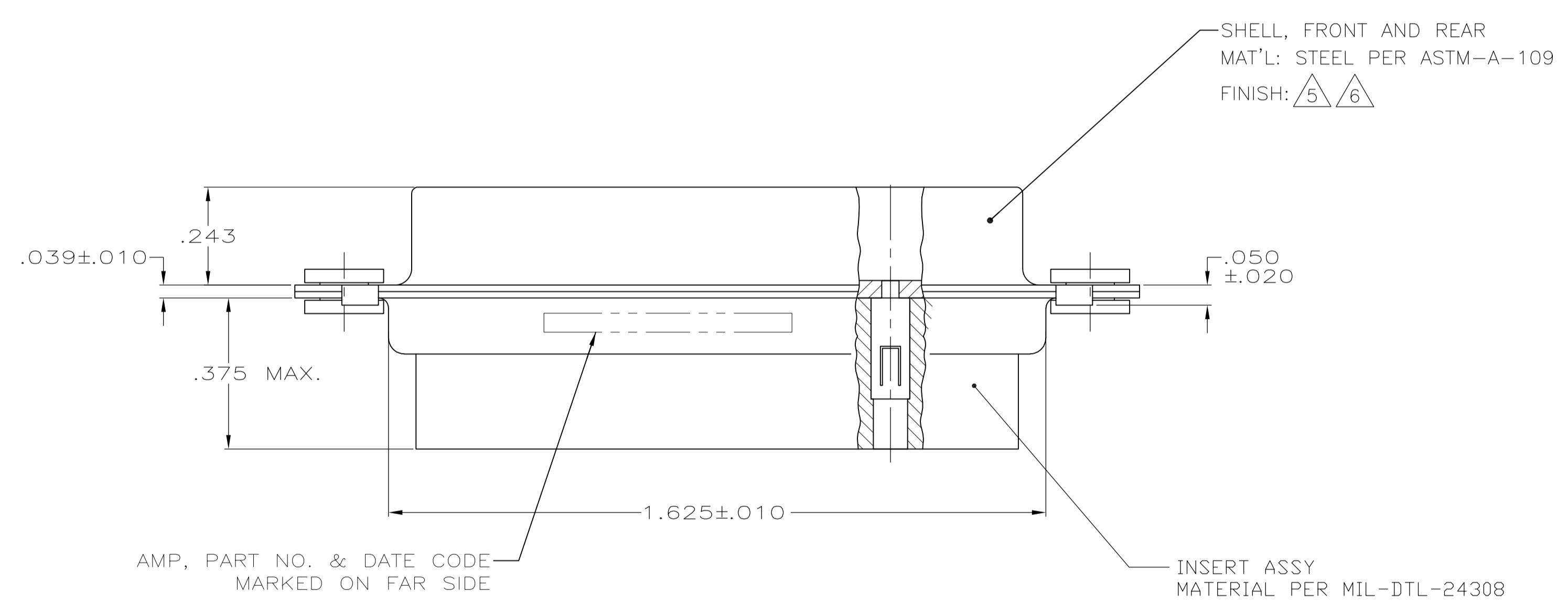
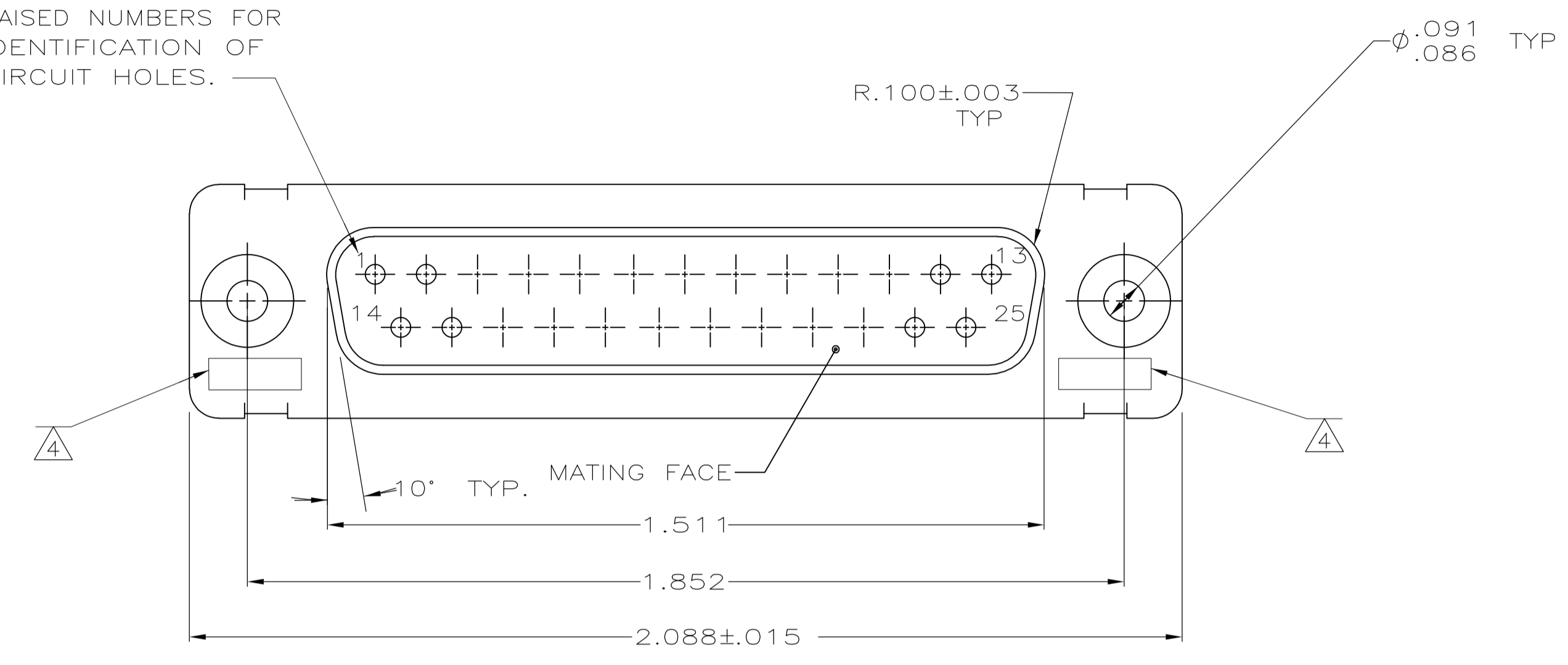


REVISONS		DATE	DWN	APVD
REV	DESCRIPTION			
B	REV PER ECO 15-005907	5-18-15	CT	DM

1. MAXIMUM WIRE INSULATION TO BE USED WITH THIS PLUG IS .068 DIA.
2. STAINLESS STEEL RETENTION CLIPS ARE INCLUDED IN INSERTS.
3. THIS PLUG WILL ACCEPT SIZE 20 PIN CONTACT M39029/64-369 OR AMP PART NUMBER 205089-1.

- 4. UL/CSA DESIGNATION MARKED IN THIS AREA, OPTIONAL
- 5. FINISH: CADMIUM PER QQ-P-416
- 6. FINISH: ZINC PLATED PER ASTM-B-633, .000200-.000400 THK WITH SUPPLEMENTARY CHROMATE (Cr3+)

RAISED NUMBERS FOR IDENTIFICATION OF CIRCUIT HOLES.



DETAIL T
SCALE 6:1

PLATED PER 6	5-1484949-1
PLATED PER 5	1484949-1
DESCRIPTION	PART NUMBER

THIS DRAWING IS A CONTROLLED DOCUMENT.

DIMENSIONS: INCHES	TOLERANCES UNLESS OTHERWISE SPECIFIED:	DIN C.C.THOMAS 8-28-02	8-28-02	TE Connectivity
0. PLC ± -	1. PLC ± -	CHK D.MILLER 8-28-02	8-28-02	
2. PLC ± -	3. PLC ± .005	APP'D D.MILLER 8-28-02	8-28-02	NAME
4. PLC ANGLES ± ± 0° 30'				RCPT. ASSEMBLY,AMPLIMITE 25 POSN,SIZE 3, SERIES 109 BLINDMATE, REVERSE GENDER
MATERIAL SEE CALLOUTS	FINISH SEE CALLOUTS	SIZE	CAGE CODE	DRAWING NO
		A1	00779	1484951
		WEIGHT		RESTRICTED TO
		CUSTOMER DRAWING	SCALE 4:1	SHEET 1 OF 1 REV B