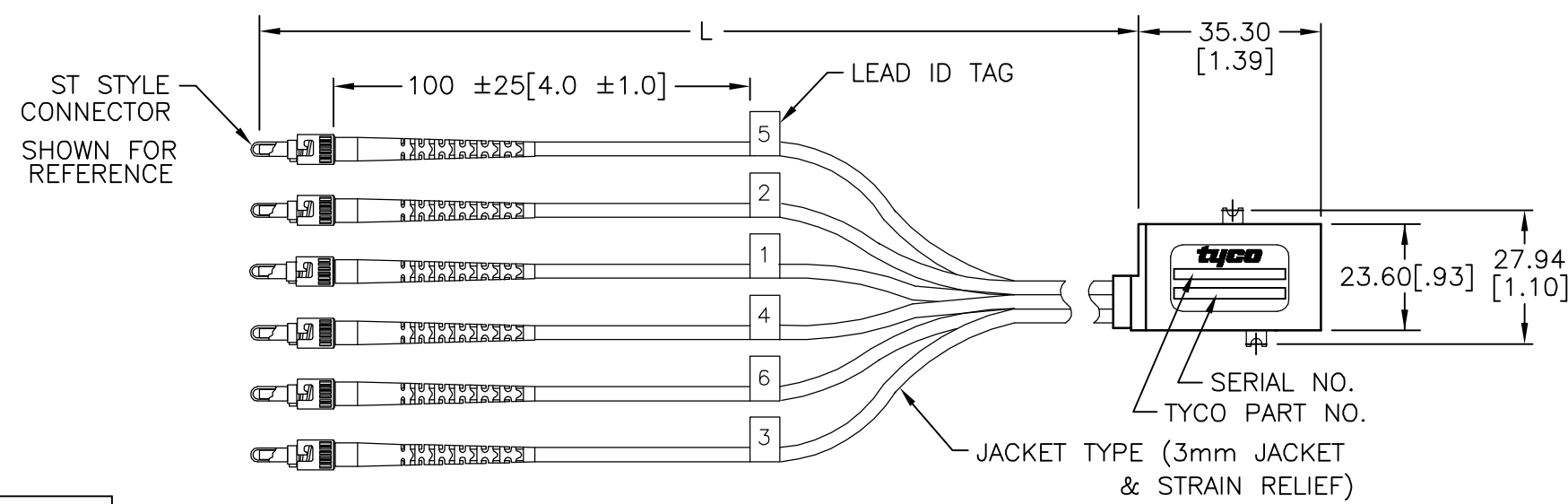
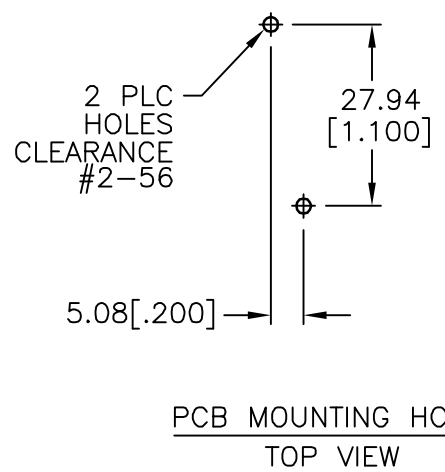
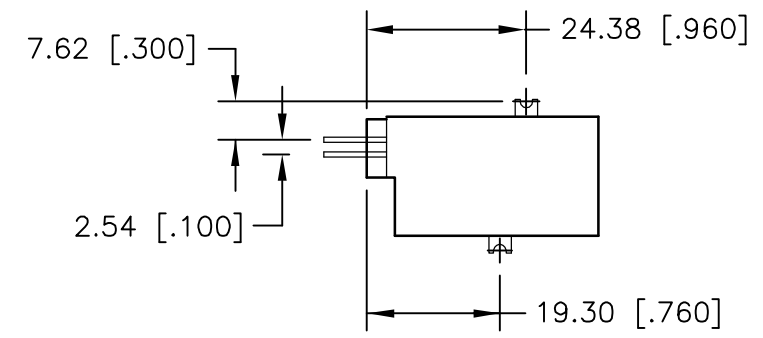
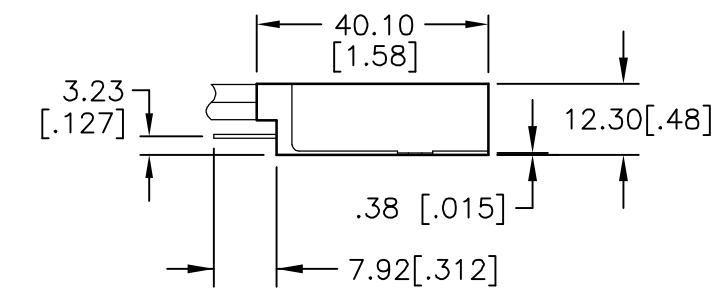
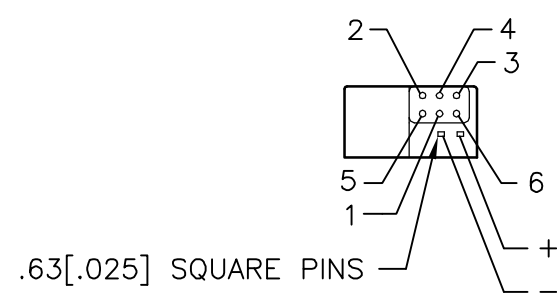


THIS DRAWING IS UNPUBLISHED. RELEASED FOR PUBLICATION
 © COPYRIGHT BY TYCO ELECTRONICS CORPORATION. ALL RIGHTS RESERVED.

LOC	DIST	REVISIONS			
P	LTR	DESCRIPTION	DATE	DWN	APVD
EA	51	1	NEW PRODUCT RELEASE	24JAN06	SM RP



PART NO.	FIBER TYPE	L	CONNECTOR TYPE
5099982-1	50/125/250	1000mm ±100mm	ST
5099982-2	62.5/125/250	1000mm ±100mm	ST
5099982-4	62.5/125/250	305mm ±25mm	LC



PERFORMANCE SPECIFICATIONS

INSERTION LOSS
 INSERTION LOSS DATA INCLUDES TWO CONNECTED PAIRS TESTED PER FOTP-34 METHOD A2

POWER OFF, 1 TO 2 & 4 TO 5 : 1.8dB MAX
 POWER ON, 1 TO 3 & 4 TO 6 : 1.8dB MAX

OPTICAL CROSSTALK : </=-45dB, PER FOTP-42
 OPERATING WAVELENGTH : 750nm TO 1450nm
 TESTED WAVELENGTH : 1300nm
 POWER REQUIREMENTS : 4.0 TO 5.5 VOLTS, 80ma MAX AT 5 VOLTS
 SWITCHING SPEED : 10 MILLISECONDS MAX.

PRELIMINARY

THIS DRAWING IS A CONTROLLED DOCUMENT.		DWN S. MONGOLD 24JAN06	Tyco Electronics Corporation Harrisburg, PA 17105-3608				
DIMENSIONS: mm [INCHES]		CHK R. PAUL 24JAN06					
TOLERANCES UNLESS OTHERWISE SPECIFIED:		APVD F. ABENDSCHEIN 24JAN06					
0 PLC ± - 1 PLC ± 1.27 2 PLC ± 0.13 3 PLC ± - 4 PLC ± - ANGLES ± 2'		NAME SWII D1X2 GOLD (STRAIGHT PIN)	SIZE A3	CAGE CODE 00779	DRAWING NO C=5099982	RESTRICTED TO -	
MATERIAL -		PRODUCT SPEC -	CUSTOMER DRAWING		SCALE 1:1	SHEET 1 OF 1	REV 1