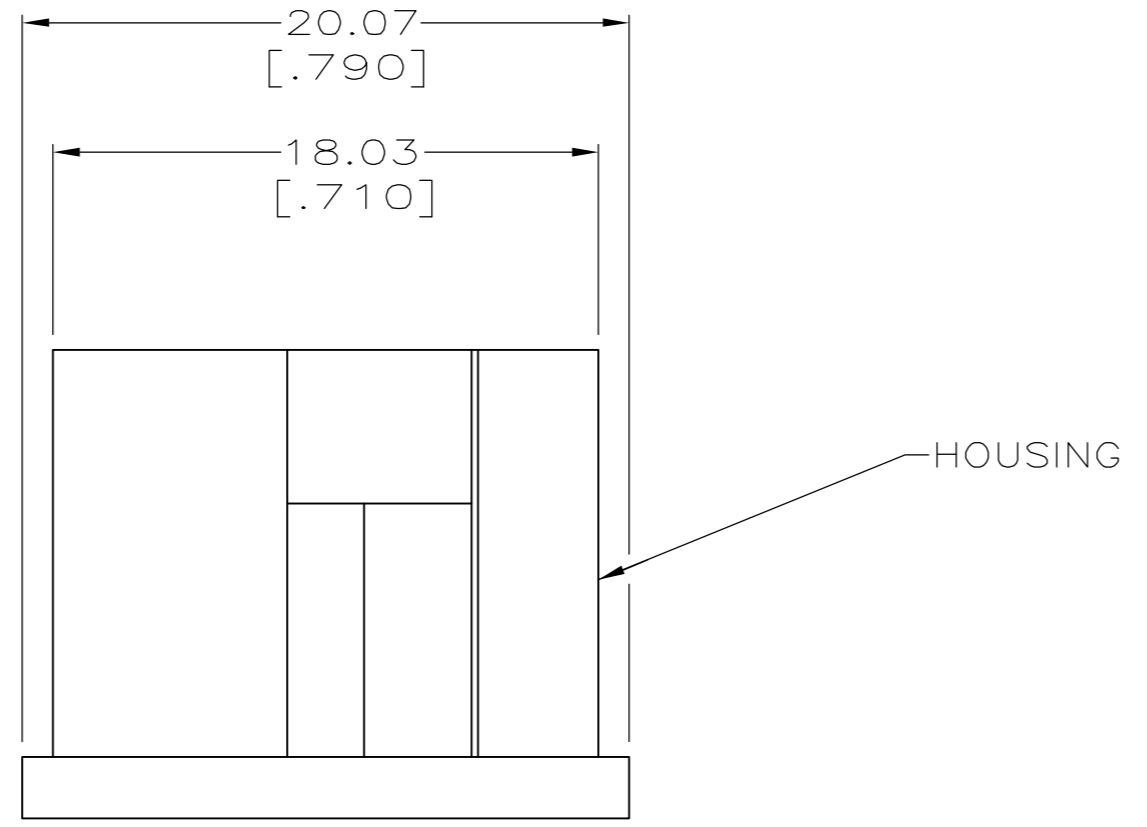
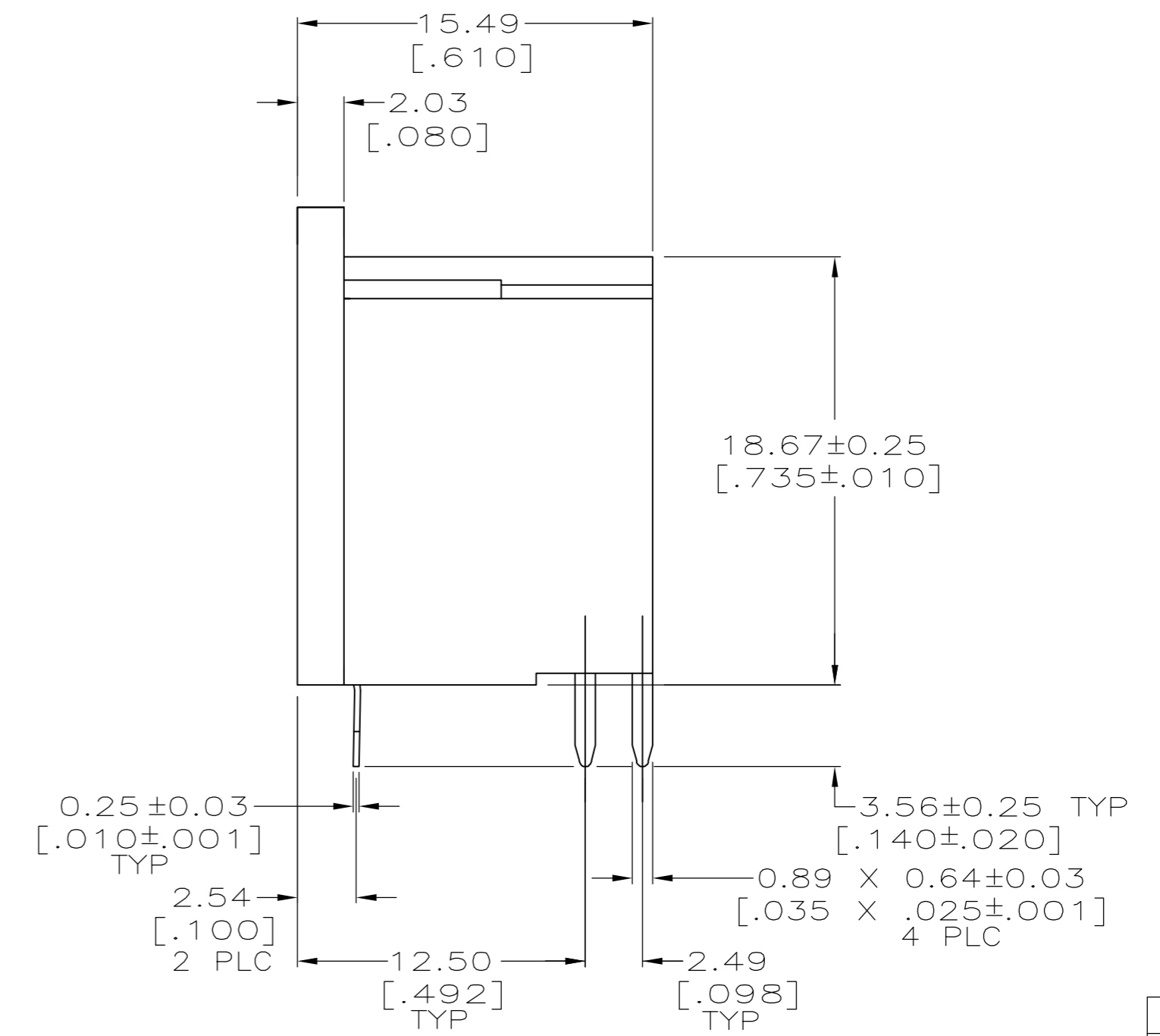
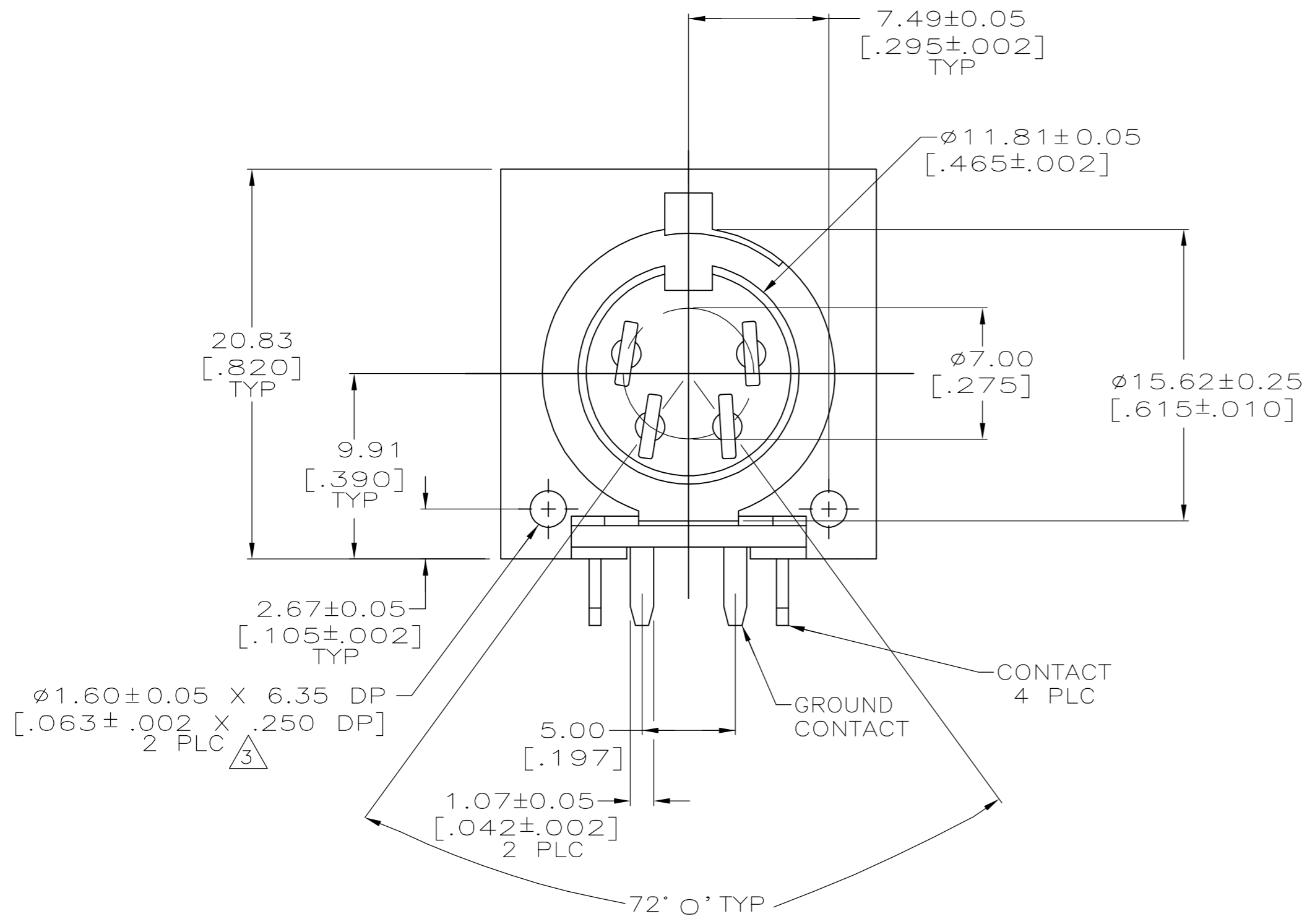


THIS DRAWING IS UNPUBLISHED. RELEASED FOR PUBLICATION  
 © COPYRIGHT BY TYCO ELECTRONICS CORPORATION. ALL RIGHTS RESERVED.

LOC		DIST		REVISIONS			
P	LTR	DESCRIPTION		DATE	DWN	APVD	
GP	00	01		REVISED PER ECO-07-008008	10APR07	JDP/CWR	



- ① HOUSING: NYLON, UL 94V-0 RATED, BLACK.
- ② CONTACTS & GROUND CONTACT: 2.54 μm [.000100] MIN TIN OVER 1.27 μm [.000050] MIN NICKEL.
- ③ ACCEPTS #2 SELF-TAPPING SCREW, .250 LONG REF.
- ④ CONTACTS & GROUND CONTACT: BRASS.



5211508-1  
PART NUMBER

THIS DRAWING IS A CONTROLLED DOCUMENT.		DWN L. VARELA - 11-11-04	tyco Electronics		Tyco Electronics Corporation Harrisburg, PA 17105-3608	
DIMENSIONS: mm [INCHES]		CHK C. ROHDE	NAME RECEPTACLE ASSY, RIGHT ANGLE, 4 POSITION, CIRCULAR DIN		RESTRICTED TO	
TOLERANCES UNLESS OTHERWISE SPECIFIED:		APVD M. WALMSLEY 11-11-04	PRODUCT SPEC 108-10047		SIZE A2	
0 PLC ± -		APPLICATION SPEC 114-40025	CAGE CODE 00779		DRAWING NO C=5211508	
1 PLC ± -		WEIGHT -	SCALE 4:1		SHEET 1 of 1	
2 PLC ± 0.13[.005]		CUSTOMER DRAWING		REV 01		
3 PLC ± -						
4 PLC ± -						
ANGLES ± 0° 30'						
FINISH						