

4

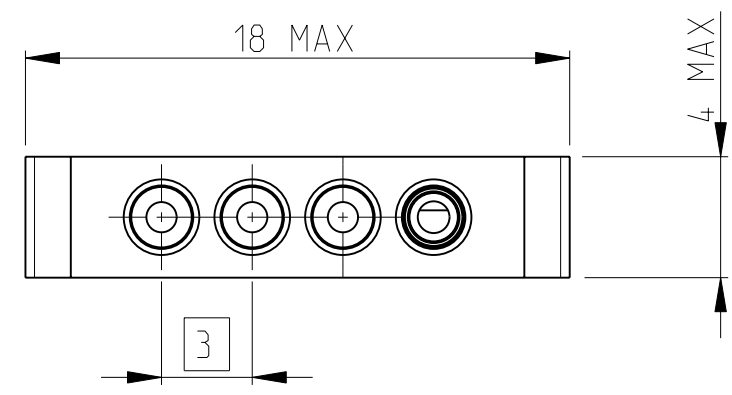
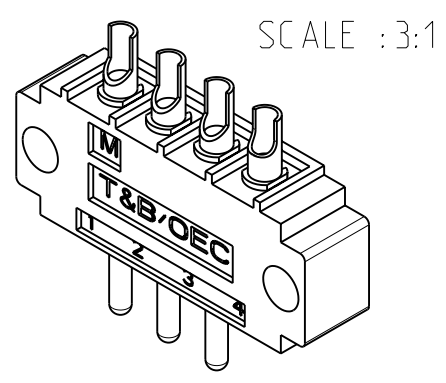
3

2

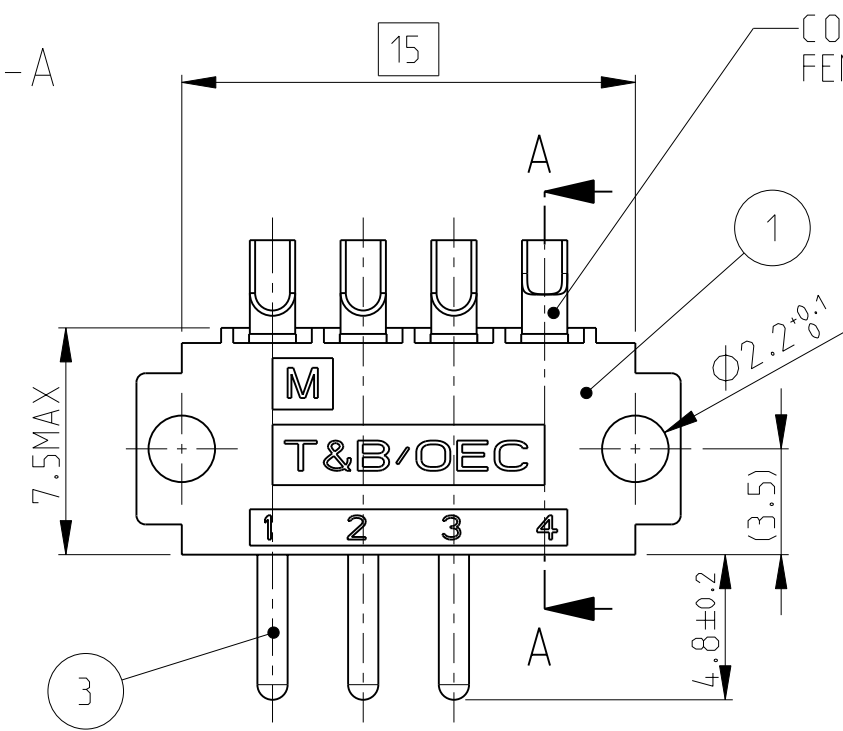
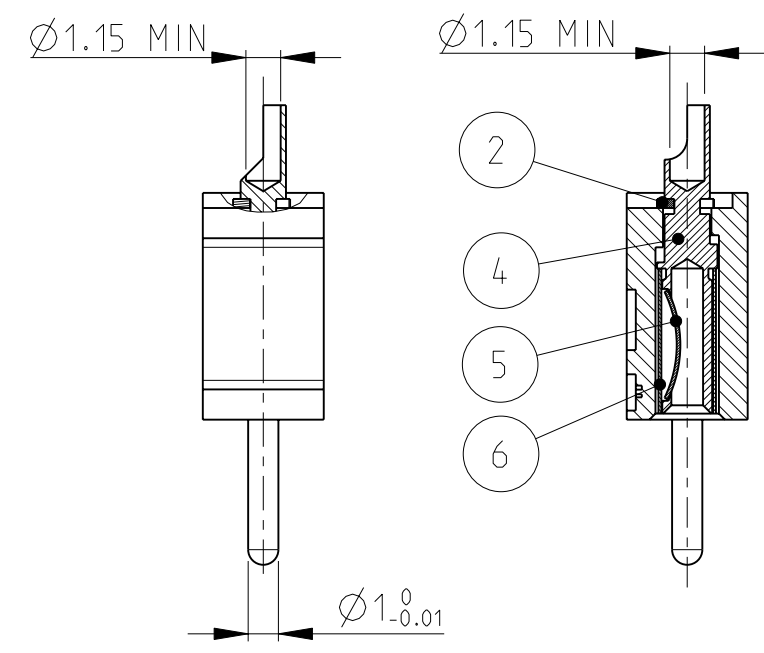
1

THIS DRAWING IS UNPUBLISHED. RELEASED FOR PUBLICATION 20  
 © COPYRIGHT 20 BY TYCO ELECTRONICS CORPORATION. ALL INTERNATIONAL RIGHTS RESERVED.

LOC	DIST	REVISIONS			
P	LTR	DESCRIPTION	DATE	DWN	APVD
F	00	A	PRIMARY RELEASE	22MARS2012	JT YP
		B	ADD DIM 3.5	04APR2012	JT YP



SECTION A-A



CONTACT FEMELLE POUR DETROMPAGE  
 FEMALE CONTACT FOR POLARIZATION

P/N 1437349-8

FINITION FINISH	MATIERE MATERIAL	DESIGNATION DESCRIPTION	REP ITEM
OR/NICKEL GOLD/NICKEL	LAITON BRASS	TUBE	6
OR/NICKEL GOLD/NICKEL	CuBe2	RESSORT SPRING	5
OR/NICKEL GOLD/NICKEL	LAITON BRASS	CONTACT FEMELLE FEMALE CONTACT	4
OR/NICKEL GOLD/NICKEL	LAITON BRASS	CONTACT MALE MALE CONTACT	3
OR/NICKEL GOLD/NICKEL	BRONZE	CLIP	2
-	PBT	ISOLANT S4 MALE S4 MALE HOUSING	1

THIS DRAWING IS A CONTROLLED DOCUMENT FOR TYCO ELECTRONICS CORPORATION IT IS SUBJECT TO CHANGE AND THE CONTROLLING ENGINEERING ORGANIZATION SHOULD BE CONTACTED FOR THE LATEST REVISION.

DWN J.THUEZ 22MARS2012	Tyco Electronics France SAS 95300 Pontoise, France	NAME CONNECTOR CRS-SC4M-4F	RESTRICTED TO
CHK Y.PETRONIN 22MARS2012			
APVD Y.PETRONIN 22MARS2012			
DIMENSIONS: mm	TOLERANCES UNLESS OTHERWISE SPECIFIED:	PRODUCT SPEC	SIZE A3
0 PLC ±- 1 PLC ±0.5 2 PLC ±0.13 3 PLC ±0.013 4 PLC ±0.0001 ANGLES ±-	MATERIAL TABLE FINISH TABLE	APPLICATION SPEC	CAGE CODE 00779
		WEIGHT -	DRAWING NO C-1437349-8
		CUSTOMER DRAWING	SCALE 4:1 SHEET 1 OF 1 REV B