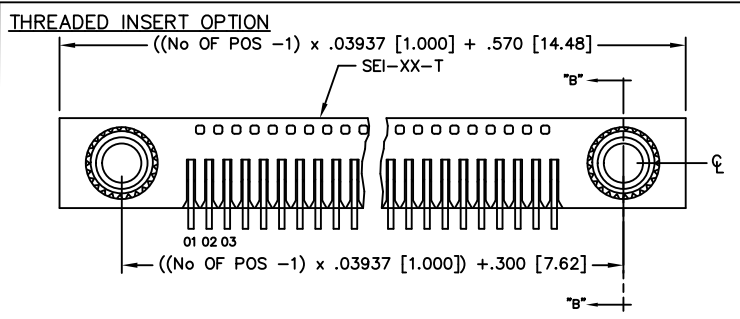
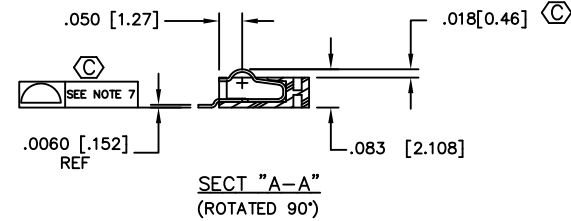
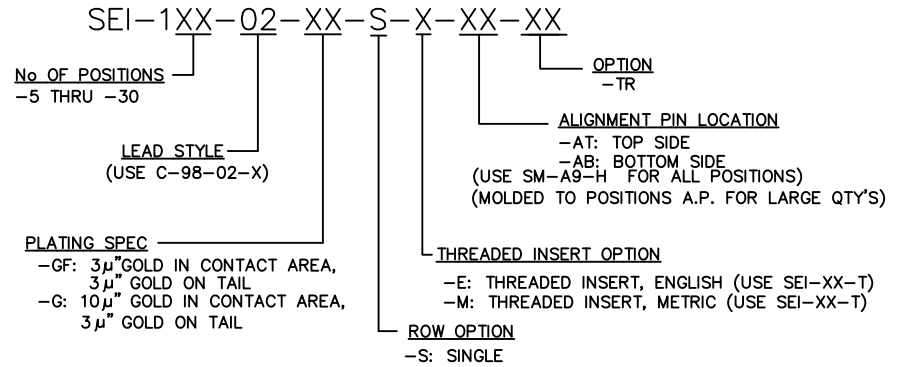
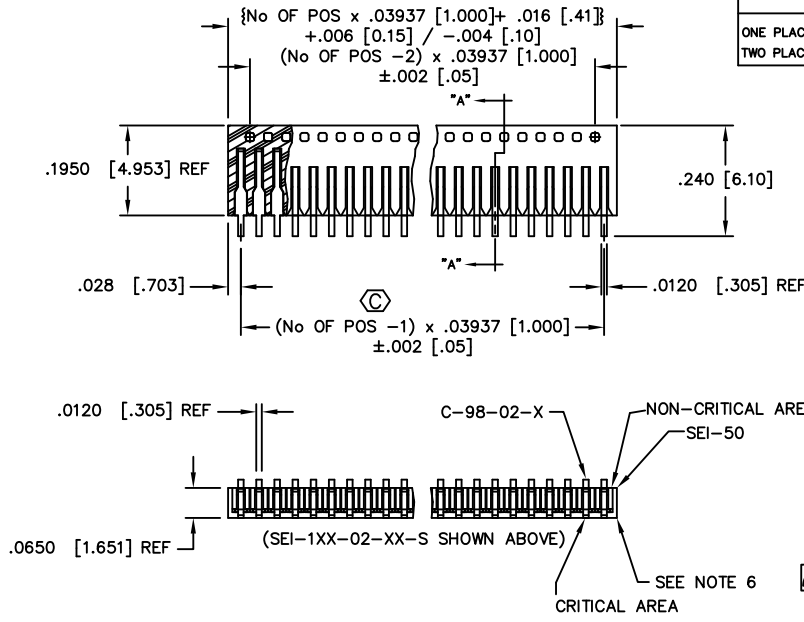
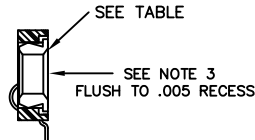


| | | | |
|----------------------------|-----------------------------|---------------------------------|----------------------------------|
| DIMENSIONS ARE IN INCHES | | UNLESS OTHERWISE NOTED | |
| TOLERANCES ARE: | | ANGLES ± 5° | |
| ONE PLACE DECIMALS ±1[2.5] | TWO PLACE DECIMALS ±.01[.3] | THREE PLACE DECIMALS ±.005[.13] | FOUR PLACE DECIMALS ±.0020[.051] |

TITLE: 1mm SINGLE ELEMENT INTERFACE
 DWG NO: SEI-1XX-02-XX-S-X-XX-XX
 SHEET 1 OF 2

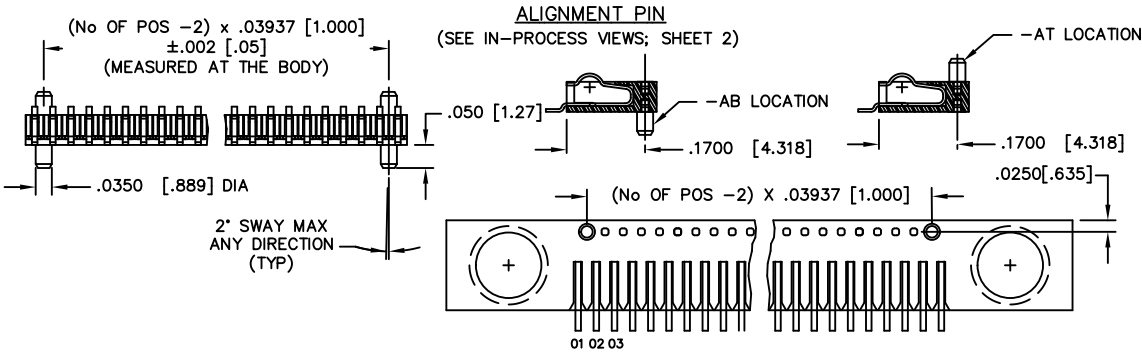


| OPTION | INSERT | THREAD |
|--------|-------------|----------|
| -E | INSL-2-56-X | 2 x 56 |
| -M | INSL-M2-4-N | M2.0 x 4 |



SECT "B-B"

- NOTES:
- ⊙ REPRESENTS A CRITICAL DIMENSION.
 - MINIMUM PULLOUT FORCE: 6 OZ.
 - LOAD INSERTS IN DIRECTION OF ARROW. (~~M~~ INSERTED FROM TOP; ~~E~~ INSERTED FROM BOTTOM)
 - PACKAGE ALL POSITIONS IN A PT-1-24-01-68 WITH TWO TP-12 PLUGS PER TUBE.
 - THREADED INSERT MUST BE ABLE TO HANDLE 20 IN-OZ'S OF TORQUE MIN (WITHOUT ROTATING OR 'LOOSENING').
 - NO CUT FLASH IN CRITICAL AREAS AS SHOWN.
 - .010" MAX CUT FLASH IN NON-CRITICAL AREAS AS SHOWN.
 - CO-PLANARITY FOR POS. -05 THRU -25 .004" MAX. FOR POS. -26 THRU -30 .006 MAX. CO-PLANARITY IS THE PLANE FORMED BY THE BOTTOM OF THE BODY & THE BOTTOM OF THE CONTACT.
 - USE SM-A9 FOR ALL ALIGNMENT OPTIONS EXCEPT 5 & 10 POSITIONS ONLY USE SM-A9-H.
 - BODIES MAY BE USED MTP WITH OR WITHOUT ALIGNMENT PINS AT PURCHASING DISCRETION.
 - NOTE DELETED.



PROPRIETARY NOTE
 THIS DOCUMENT CONTAINS CONFIDENTIAL AND PROPRIETARY INFORMATION AND ALL DESIGN, MANUFACTURING, REPRODUCTION, USE, PATENT RIGHTS AND SALES RIGHTS ARE EXPRESSLY RESERVED BY SAMTEC, INC. THIS DOCUMENT SHALL NOT BE DISCLOSED, IN WHOLE OR IN PART, TO ANY UNAUTHORIZED PERSON OR ENTITY WHO REPRODUCES, TRANSMITS OR INCORPORATES IN ANY OTHER PROJECT OF ANY MANNER WITHOUT THE EXPRESS WRITTEN CONSENT OF SAMTEC, INC.

EXISPROD/ASSEMBLY/1MM SEI-ASM

samtec

520 PARK EAST BLVD. NEW ALBANY, INDIANA 47150
 PHONE (812) 944-6733 P.O. BOX 1147
 CODE 55322