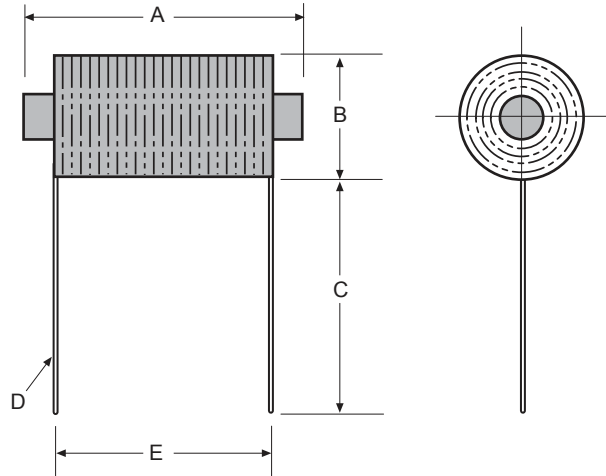




Radial High Current Chokes RHC50

Dimensions (In.)
See Table



Allied Part Number	Inductance (μh)	Rated Current Max. A	DCR Max. (Ω)	SRF Min. (MHz)	Increment Current (A)	A Max. (In.)	B Max. (In.)	C Max. (In.)	D AWG	E +/- .063
RHC50-3-5R0K-RC	5	3	.015	40	19	.875	.625	1.125	18	.500
RHC50-3-100K-RC	10	3	.081	25	17	1.125	.625	1.125	18	.687
RHC50-3-270K-RC	27	3	.035	8	15	.875	.812	1.125	18	.437
RHC50-3-500K-RC	50	3	.050	5	12	1.125	.812	1.125	18	.750
RHC50-3-101K-RC	100	3	.065	2.5	8	1.125	.812	1.125	18	.937
RHC50-3-151K-RC	150	3	.075	2.0	5	1.375	.812	1.125	18	1.062
RHC50-3-251K-RC	250	3	.090	1.0	3	1.625	.812	1.125	18	1.312
RHC50-5-5R0K-RC	5	5	.012	30	20	.875	.640	1.125	18	.750
RHC50-5-100K-RC	10	5	.015	20	18	1.123	.640	1.125	16	1.00
RHC50-5-270K-RC	27	5	.025	7	15	.875	.875	1.125	16	.559
RHC50-5-500K-RC	50	5	.030	4	10	1.123	.875	1.125	16	.750
RHC50-5-680K-RC	68	5	.035	3.5	9	1.123	.875	1.125	16	.875
RHC50-5-101K-RC	100	5	.050	2.5	7	1.375	.875	1.125	16	1.00
RHC50-5-151K-RC	150	5	.060	2.0	5	1.625	.875	1.125	16	1.25
RHC50-8-151K-RC	150	8	.060	2.0	8	1.625	.880	1.125	16	1.25
RHC50-10-5R0K-RC	5	10	.010	30	19	1.123	.687	1.125	14	.812
RHC50-10-100K-RC	10	10	.012	20	17	1.375	.687	1.125	14	1.22
RHC50-10-270K-RC	27	10	.018	7	15	1.123	.937	1.125	14	.687
RHC50-10-500K-RC	50	10	.025	4	9	1.375	.937	1.125	14	1.22
RHC50-10-680K-RC	68	10	.027	3.5	8	1.375	.937	1.125	14	1.123
RHC50-10-101K-RC	100	10	.030	2.5	6	1.625	.937	1.125	14	1.312
RHC50-15-5R0K-RC	5	15	.008	30	20	1.375	.725	1.125	12	.937
RHC50-15-100K-RC	10	15	.010	20	17	1.687	.725	1.125	12	1.50
RHC50-15-270K-RC	27	15	.015	7	14	1.375	1.00	1.125	12	.937
RHC50-15-500K-RC	50	15	.020	4	9	1.625	1.00	1.125	12	1.123

All specifications subject to change without notice.

Features

- Radial leads for direct Printed Circuit Board mounting.
- Pre-tinned leads.
- Inductance range from 5μh to 250μh. Also available in non-standard inductance values.
- Current rating range from 3 Amps to 15 Amps.
- Ideal for use in switching power supplies, filter networks and power amplifiers.

Electrical

Inductance: Measured at 1 KHz with no DC current. Incremental current reduces inductance by 10% or less.

Tolerance: 10% over entire inductance range. Available in tighter tolerances.

Operating Temp: -55° +105°C