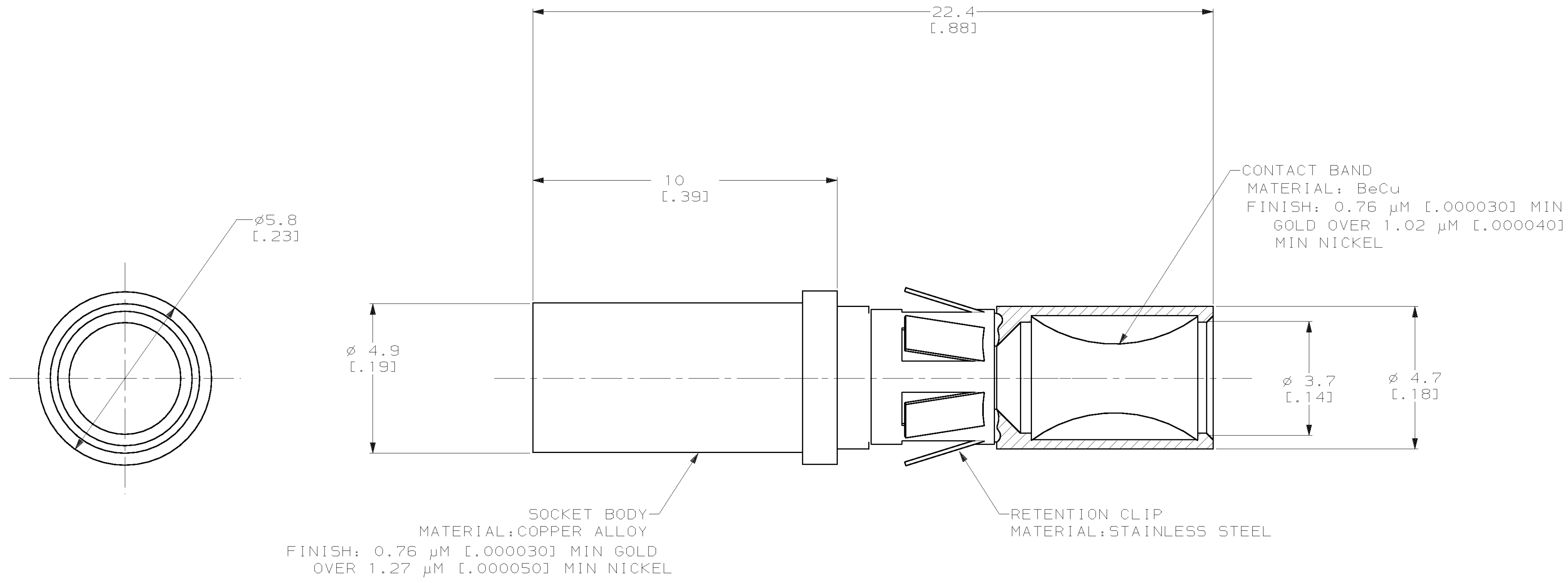


THIS DRAWING IS UNPUBLISHED. RELEASED FOR PUBLICATION ,19 .
 © COPYRIGHT 19 BY AMP INCORPORATED. ALL INTERNATIONAL RIGHTS RESERVED.

LOC		DIST		P		F		ZONE		LTR		REVISIONS		DATE	APPD
CH	11											C	ECN 95032201	03-22-95	CMS

1. RETROFIT CONTACT FOR METRIMATE AND AMPLIMATE POWER CONTACT.
2. WIRE BARREL WILL ACCEPT #10 AWG WIRE.
3. MATES WITH PN 193642-1.



193643-1
 PART NO

DO NOT SCALE PRINT. UNLESS SPECIFIED DIMENSIONS IN mm [INCHES] TOLERANCES ON : 2 PLC DEC \pm 0.5 [.02] 3 PLC DEC \pm 0.25 [.010] ANGLES \pm -	DR D. WILSON 08-12-92	AMP Incorporated Harrisburg, PA 17105-3608
	CHK R. JAYNE 08-17-92	
MATERIAL -	APPD A. GRIFFIN 08-17-92	NAME
FINISH -	APPD P. GLASER 08-17-92	SOCKET ASSY, POWER, #10 AWG
	PRODUCT SPEC -	SIZE
	APPLICATION SPEC -	CAGE CODE
	WEIGHT -	DRAWING NO
		C 00779 C=193643
		SCALE 10:1
		SHEET 1 OF 1

THIS DRAWING IS A CONTROLLED DOCUMENT FOR AMP INCORPORATED. IT IS SUBJECT TO CHANGE AND THE CONTROLLING ENGINEERING ORGANIZATION SHOULD BE CONTACTED FOR THE LATEST REVISION.