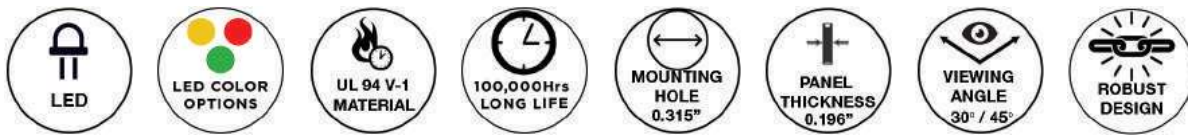




L65 Series 5mm LED Robust Panel Mount Indicator Mounting Hole 0.315" (8.0mm)



L65 is available in a robust body and recessed LED position, supplied with lock washer and hex nut, in three different diffused LEDs colors



Applications

- Industrial
- Transportation
- Food Service
- People Movers
- Medical
- Maritime
- Oil and Gas Industry
- Manufacturing
- Automation & Control

Key Features

- Mounting Hole Size: 0.315" (8.0mm)
- Max. Panel Thickness: 0.196" (5.0mm)
- Max. Mounting Torque: 5.9 lbs-in (6.8kg-cm)
- Three colors available: Red, Green, Yellow
- Low power consumption
- Body Material: Brass, chromium plated
- Base Material: Phenolic (UL94 V-1)
- Diffused T-1 3/4 (5mm) LED
- Straight leads terminals
- Rated Voltage from 2 to 24 VDC
- Reflector designed to allow maximum light distribution with a 30° or 45° viewing angle
- Front panel mounting
- Life expectancy of 100,000 hours
- High brightness LEDs for daylight viewing
- Mounting hardware provided. Fixing nut and washer included
- Recessed LED position
- Low power consumption
- Compliant with RoHS and REACH requirements
- Order gasket separately to provide water, oil, air and dust seal
- For customized options, please contact our technical sales specialists

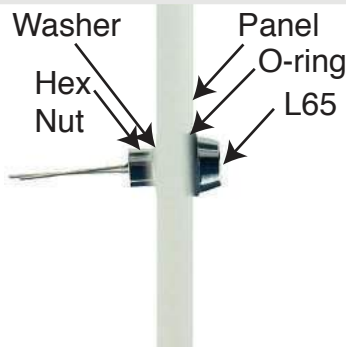
Ordering Data

The L65 Series is available in a range of standard features and options. To specify your Panel Mount Indicator, simply choose one option from each column.

Series	LED Size	LED Type Lens	Color	Rated Voltage	Termination Style
L	65	D			L
	5mm LED	Diffused			Straight Leads
			Green		
			Red		
			Yellow		
			G	2	2 VDC
			R	12	12 VDC
			Y	24	24 VDC

Accessories Ordering Data [order separately]

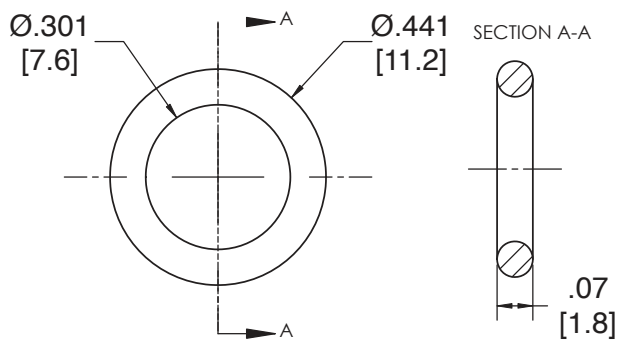
O-ring part number: **SPC301**



The Gasket O-ring SPC301 for the L65 Series is designed to seal many types of media, including water, air, dust, and oil.

The panel gasket is intended to provide a seal between the panel and the L65 Panel Mount Indicator.

Meets ASTM D2000 standard.



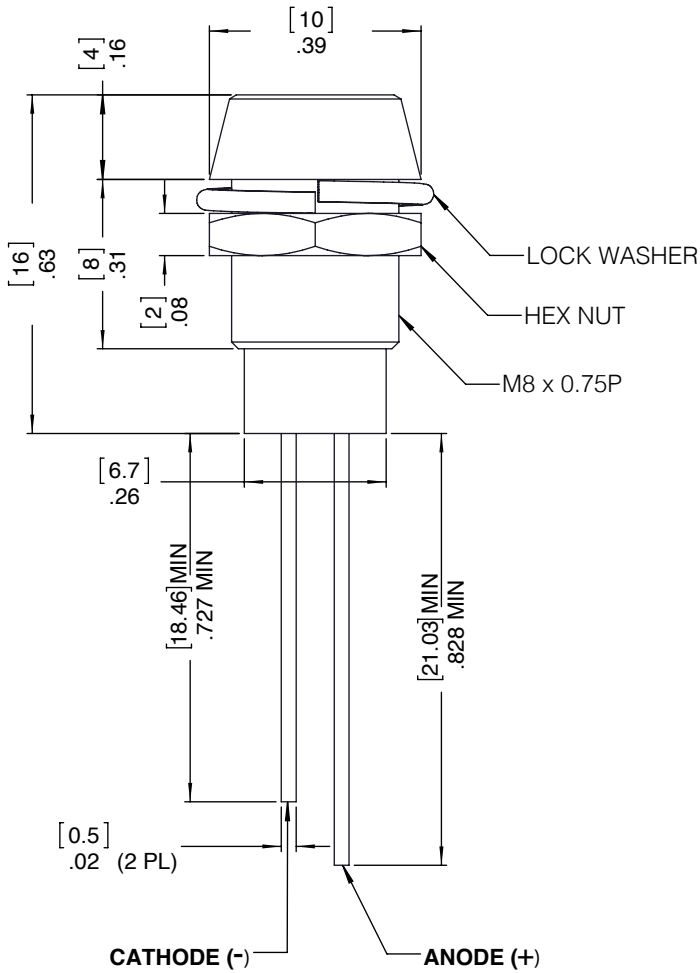
Dimensions in inches [mm]

Material	
Buna-N, Durometer A70, black	

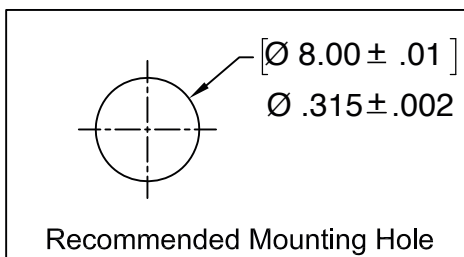
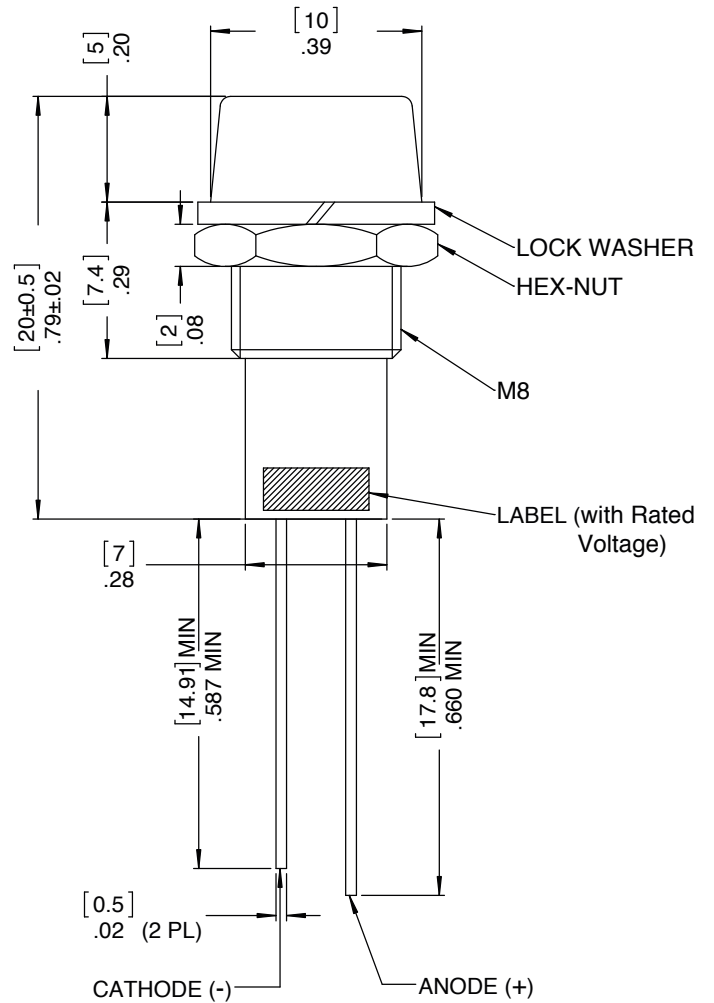
Installation Specification	
Internal Diameter	0.301" (7.6 mm)
Thickness	0.07" (1.8 mm)
Operational Temperature	-20°F to +250°F -28.9°C to +121.1°C

Product Dimension

L65DX2L



L65DX12L
L65DX24L



Dimensions in [mm] inches
General tolerances unless other-
wise specified:

	inches	mm
.X	$\pm .020$	$\pm .508$
.XX	$\pm .010$	$\pm .254$

Product Specifications

Materials	
Body	Brass, Chromium Plated
Base	Phenolic UL 94 V-1
Leads	Ag/Cu plated Iron

Temperature Specifications	
Operating Temperature	-25°C to +85°C -13°F to +185°F
Storage Temperature	-25°C to +85°C -13°F to +185°F

Installation Specifications	
Mounting Hole	0.315" (8.0 mm)
Mounting Torque (max)	5.9 lbf-in (6.8 kgf-cm)
Panel Thickness	0.019" to 0.196" (0.5 to 5.0 mm)

Part Number	Rated Voltage (V)	V _F			V _R (V) max.	I _F (mA)	Viewing Angle (deg.)	Color	Luminous Intensity typ. (mcd)	Wavelength (nm)
		min.	typ.	max.						
L65DG2L	2	2.8	3.2	3.8	5	20	45	Green	1500	510-522
L65DR2L	2	1.7	1.9	2.4	5	20	45	Red	400	620-625
L65DY2L	2	1.7	2.1	2.6	5	20	30	Yellow	1500	585-595
L65DG12L	12	8.5	11.5	-	5	10	30	Green	20	565-575
L65DR12L	12	10	12	-	5	10	30	Red	30	617-627
L65DY12L	12	8.5	11.5	-	5	10	30	Yellow	15	582-592
L65DG24L	24	20	24	-	5	10	30	Green	8	565-575
L65DR24L	24	20	24	25	5	20	30	Red	10	595-705
L65DY24L	24	20	24	25	5	20	30	Yellow	20	580-590

Compliances and Approvals

