



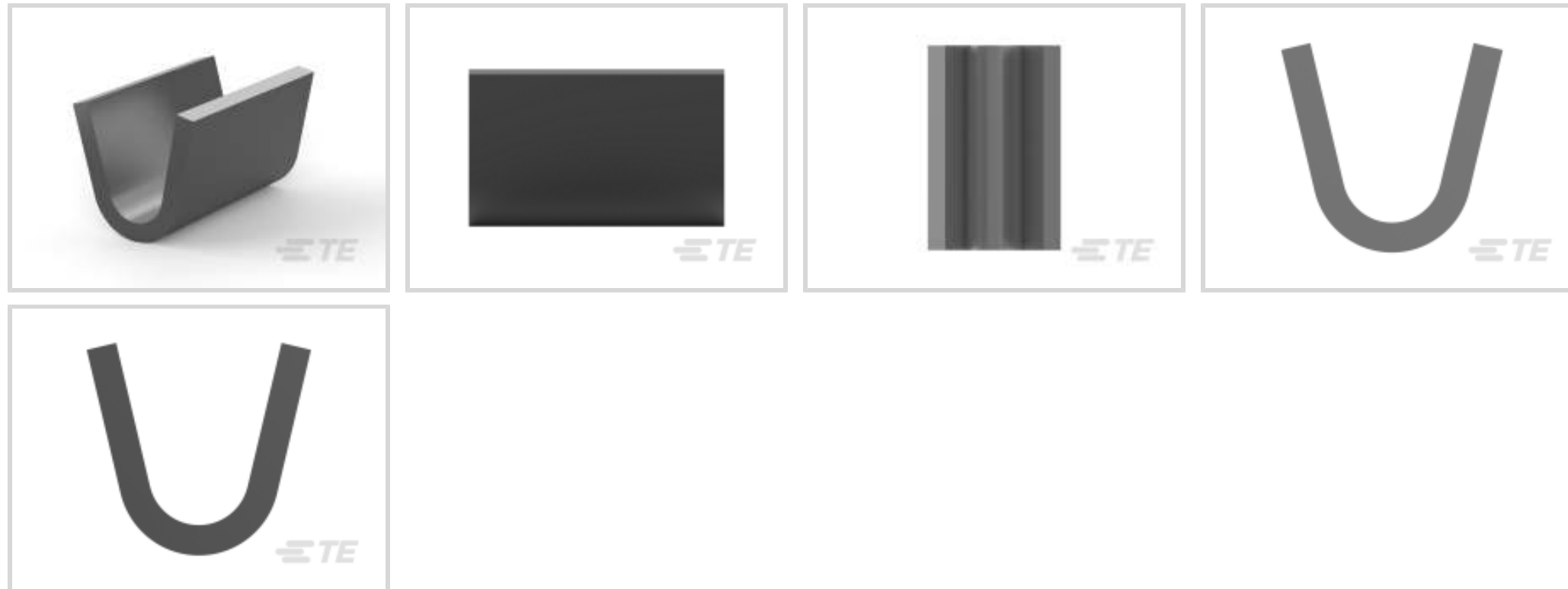
AMPLIVAR

TE Internal #: 42778-2

Splices, Thru Splice, 22 – 15 AWG Wire Size, .3 – 1.5 mm² Wire Size, Splice Capacity 3, Serrated, 600 – 3000 CMA Wire Size, Brass, AMPLIVAR

[View on TE.com >](#)

Terminals & Splices > Splices



Wire Size: .3 – 1.5 mm²

Sealable: No

Splice Capacity: 3

Splice Features: Serrated

Features

Product Type Features

Sealable	No
Splice Type	Thru Splice
Compatible With Discrete Wire Type	Magnet Wire, Solid

Configuration Features

Strip Orientation	End Feed
Splice Capacity	3
Number of Serrations	5

Electrical Characteristics

Operating Voltage	250 V
-------------------	-------

Body Features

Product Weight	.196 g
Splice Features	Serrated

Contact Features

	40 μin
--	--------



Terminal Plating Material	Tin
Contact Base Material	Brass
Barrel Type	Open

Mechanical Attachment

Wire Insulation Support	Without
-------------------------	---------

Dimensions

Wire Size	600 – 3000 CMA
Terminal Material Thickness	.51 mm[.02 in]
Product Length	5.72 mm[.225 in]

Usage Conditions

Insulation Option	Uninsulated
Operating Temperature Range	-65 – 150 °C[-85 – 302 °F]

Operation/Application

Compatible With Wire Base Material	Copper
------------------------------------	--------

Industry Standards

Government Qualified Splice	No
-----------------------------	----

Packaging Features

Packaging Quantity	40000
Packaging Method	Strip

Other

Terminals & Splices Comment	With less deep AMPLIVAR serrations- for magnet wires <0.4 mm diameter
-----------------------------	---

Product Compliance

[For compliance documentation, visit the product page on TE.com>](#)

EU RoHS Directive 2011/65/EU	Compliant
EU ELV Directive 2000/53/EC	Compliant
China RoHS 2 Directive MIIT Order No 32, 2016	No Restricted Materials Above Threshold
EU REACH Regulation (EC) No. 1907/2006	Current ECHA Candidate List: JUNE 2023 (235) Candidate List Declared Against: JAN 2023 (233) Does not contain REACH SVHC
Halogen Content	Low Halogen - Br, Cl, F, I < 900 ppm per

homogenous material. Also BFR/CFR/PVC Free

Solder Process Capability

Not applicable for solder process capability

Product Compliance Disclaimer

This information is provided based on reasonable inquiry of our suppliers and represents our current actual knowledge based on the information they provided. This information is subject to change. The part numbers that TE has identified as EU RoHS compliant have a maximum concentration of 0.1% by weight in homogenous materials for lead, hexavalent chromium, mercury, PBB, PBDE, DBP, BBP, DEHP, DIBP, and 0.01% for cadmium, or qualify for an exemption to these limits as defined in the Annexes of Directive 2011/65/EU (RoHS2). Finished electrical and electronic equipment products will be CE marked as required by Directive 2011/65/EU. Components may not be CE marked. Additionally, the part numbers that TE has identified as EU ELV compliant have a maximum concentration of 0.1% by weight in homogenous materials for lead, hexavalent chromium, and mercury, and 0.01% for cadmium, or qualify for an exemption to these limits as defined in the Annexes of Directive 2000/53/EC (ELV). Regarding the REACH Regulation, the information TE provides on SVHC in articles for this part number is based on the latest European Chemicals Agency (ECHA) 'Guidance on requirements for substances in articles' posted at this URL: <https://echa.europa.eu/guidance-documents/guidance-on-reach>

Compatible Parts



TE Part # 63562-1
SPLICE 10400-22900 030TPBR



TE Part # 42192-1
SPLIC AMVAR 600-3000 020BR



TE Part # 170152-2
AMPLIVAR SPLICE STR



TE Part # 170152-4
AMP SPLICE



TE Part # 2-2150065-2
OCEAN_2.0_Applicator-E-110F



TE Part # 2150065-2
OCEAN_2.0_Applicator-E-110F



TE Part # 42192-2
SPLIC AMVAR 600-3000 020TPBR



TE Part # 7-2150065-2
OCEAN_2.0_Applicator-E-110F



KIT
REPRESENTATION ONLY

TE Part # 7-2150065-7
OCEAN_2.0_SPARE_PART_KIT-110F

Also in the Series | **AMPLIVAR**



Crimp Wire Pins, Tabs & Ferrules(5)



Magnet Wire Terminals(4)



PCB Terminals(1)



Quick Disconnects(41)

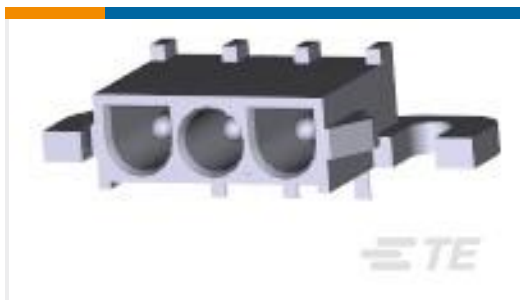


Ring Terminals & Spade Terminals(28)

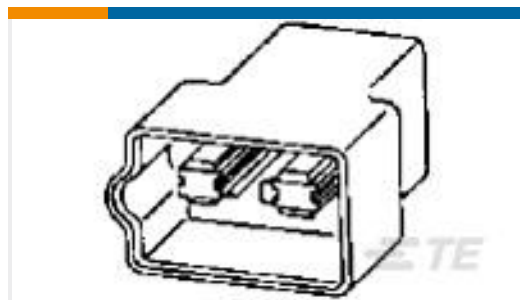


Splices(77)

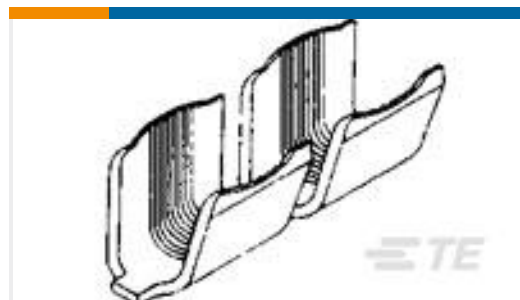
Customers Also Bought



TE Part #1-350943-0
03P UMNL HDR ASSY R/A 94VO



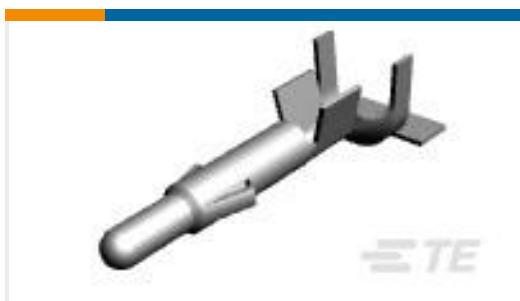
TE Part #180901
FF 250 TAB HSG 4P NYLON NAT



TE Part #41770
SPLC AMVAR 7000-13000 BR



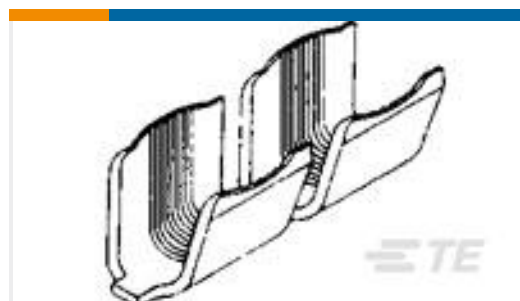
TE Part #2178473-2
3POS UMNL PLUG HSG V0 GW



TE Part #926885-3
UNIV.M-N-L.PIN



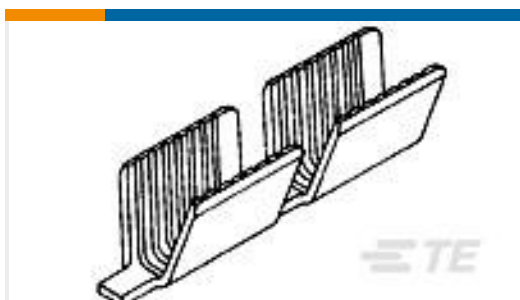
TE Part #926884-1
UNIV.M-N-L.SOCKET



TE Part #41766
SPLC AMVAR 3000-7000 020BR



TE Part #485043-4
SPLICE 4000-9000 .020 NPST



TE Part #62157-2
SPLICE AMVAR600TO3000 .020TPBR



TE Part #1-1659321-0
H30013/5000

Documents



Product Drawings

SPLICE AMPLIVAR 600-3000 CMA

English

CAD Files

3D PDF

3D

Customer View Model

[ENG_CVM_CVM_42778-2_AC.2d_dxf.zip](#)

English

Customer View Model

[ENG_CVM_CVM_42778-2_AC.3d_igs.zip](#)

English

Customer View Model

[ENG_CVM_CVM_42778-2_AC.3d_stp.zip](#)

English

By downloading the CAD file I accept and agree to the [Terms and Conditions](#) of use.

Datasheets & Catalog Pages

Magnet Wire Terminals & Splices

English

Product Specifications

Application Specification

English

AMPLIVAR 5 Serration Pigtail Splice

English

Product Environmental Compliance

Product Compliance

English

Product Compliance

English
