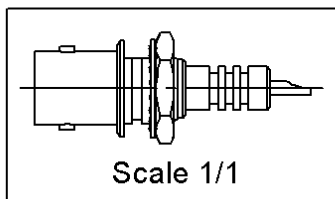
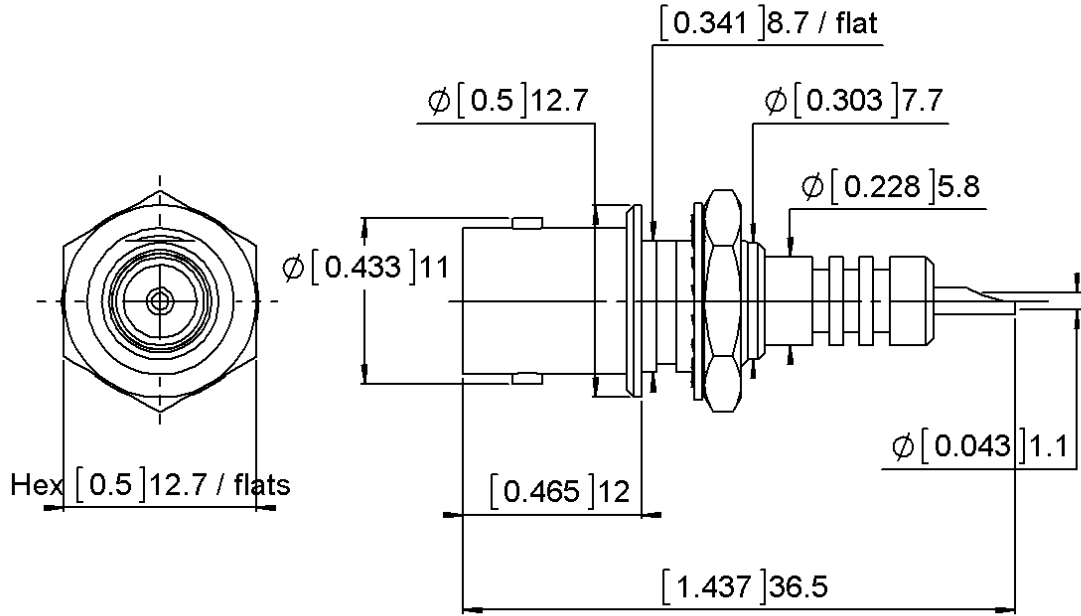
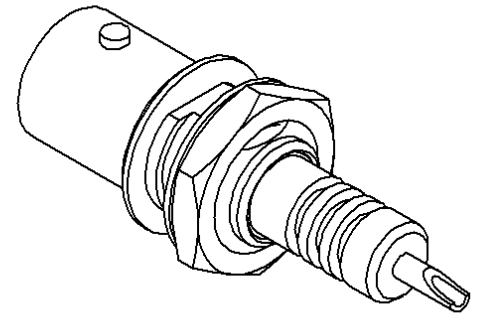


PAGE 1/2	ISSUE 19-04-17Q	SERIES BNC-HT / MHV	PART NUMBER R316553000
----------	-----------------	---------------------	------------------------

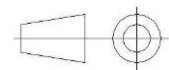


PANEL CUT OUT

mm		
	Maxi	mini
A	9.6	9.5
B	8.9	8.8



All dimensions are in mm. Tolerances according ISO 2768 m-H



COMPONENTS	MATERIALS	PLATING (µm)
Body	BRASS.	NICKEL2
Center contact	BERYLLIUM COPPER	Silver
Outer contact	-	-
Insulator	PTFE	-
Gasket	-	-
Others parts	BRASS,BRONZE	NICKEL2
-	-	-
-	-	-

PAGE 2/2	ISSUE 19-04-17Q	SERIES BNC-HT / MHV	PART NUMBER R316553000
----------	-----------------	---------------------	------------------------

PACKAGING

Standard	Unit	Other
100	Contact us	Contact us

ELECTRICAL CHARACTERISTICS

Impedance		50	Ω
Frequency		0-2	GHz
VSWR	1.2* +	0,2000	x F(GHz) Maxi
Insertion loss		NA	√F(GHz) dB Maxi
RF leakage	- (NA	- F(GHz)) dB Maxi
Voltage rating		NA	Veff Maxi
Dielectric withstanding voltage		6000**	Veff mini
Insulation resistance		NA	MΩ mini

ENVIRONMENTAL

Operating temperature	-55/+155	°C
Hermetic seal	NA	Atm.cm3/s
Panel leakage	NA	

MECHANICAL CHARACTERISTICS

Center contact retention			
Axial force – Mating End		27	N mini
Axial force – Opposite end		27	N mini
Torque		0	N.cm mini
Recommended torque			
Mating		0	N.cm
Panel nut		320	N.cm
Mating life		500	Cycles mini
Weight		7,6100	g

SPECIFICATION

OTHER CHARACTERISTICS

Assembly instruction:

Others:

***Coaxial line transmission only**

****Test frequency at 60Hz;**

10 KVeFF for mated pair