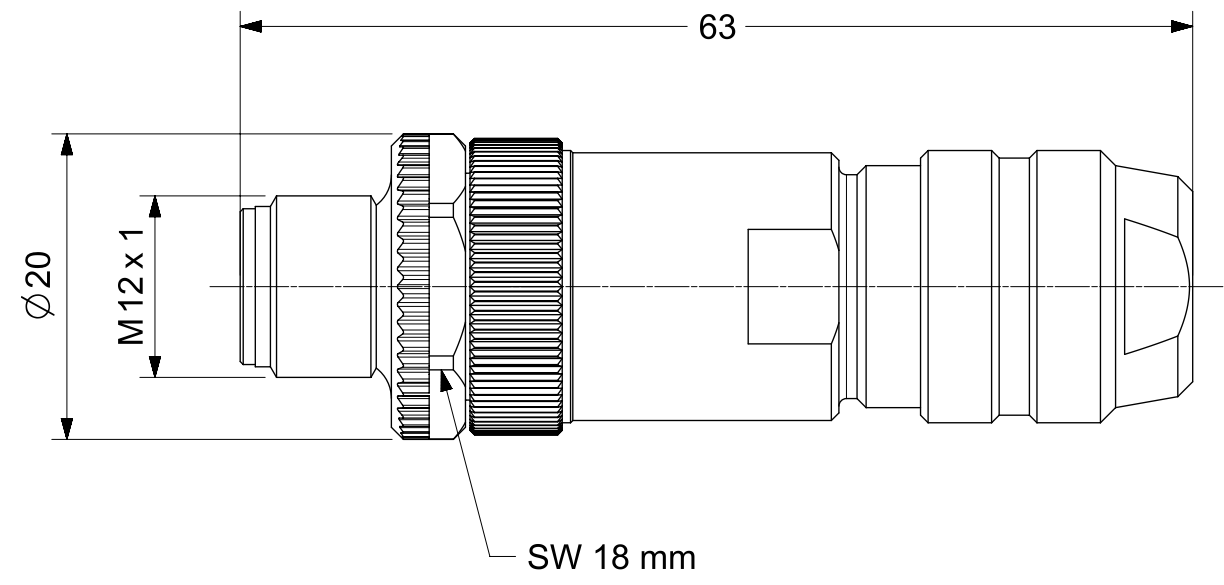
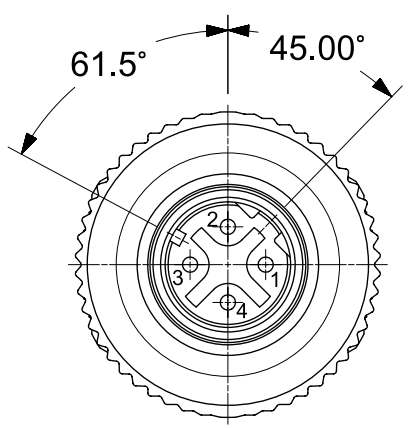
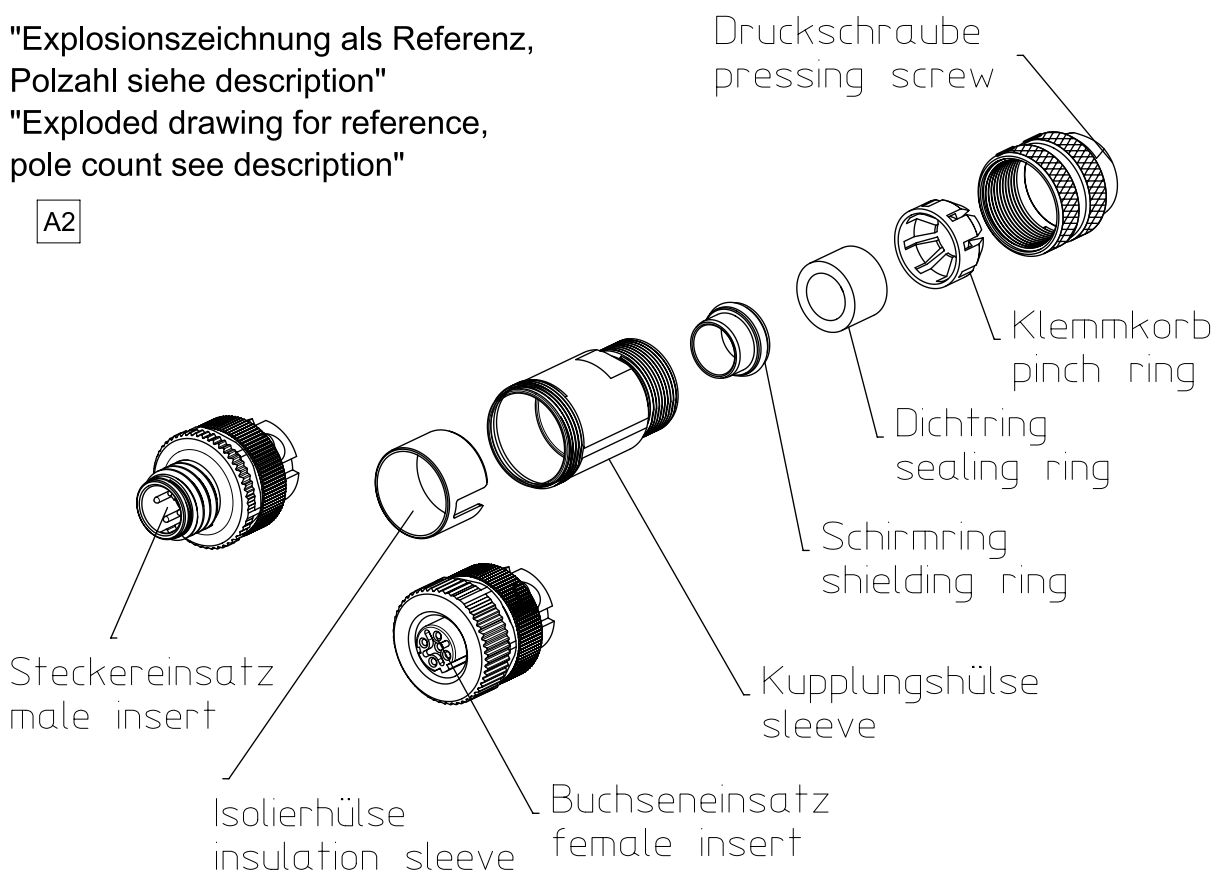


"Explosionszeichnung als Referenz,
Polzahl siehe description"
"Exploded drawing for reference,
pole count see description"

A2



CHANGES SEE REVISION MARKING A2

NOTES

NOTES:

- 1. LOCKING SYSTEM: SCREW
WIRE GAUGE: 0.75mm²
CABLE OUTLET: 6 - 8mm
- 2. ELECTRICAL DATA:
CURRENT RATING: 4A
VOLTAGE RATING: 250V
MATING CYCLES: > 100
- 3. MECHANICAL:
OPERATING TEMP.: -40°C - 85°C
PROTECTION CLASS: IP67
- 4. MATERIAL:
CONTACT: CuZn (BRASS)
CONTACT PLATING: Au (GOLD)
CONTACT BODY: PA
HOUSING: zinc die cast
COUPLING NUT: CuZn (BRASS)

ENG.-NO: E1AS06-32

THIS DRAWING CONTAINS INFORMATION THAT IS PROPRIETARY TO MOLEX ELECTRONIC TECHNOLOGIES, LLC AND SHOULD NOT BE USED WITHOUT WRITTEN PERMISSION													
QUALITY SYMBOLS	2016/08/10	2016/08/29	GENERAL TOLERANCES (UNLESS SPECIFIED)		DIMENSION UNITS	SCALE							
			4 PLACES	±	MM	2:1							
▽A = 0	EC NO: 107393 DRWN: LRAMAMURTHY CHK'D: REV APPR: RSILLER	RSILLER	ANGULAR TOL ± 1.0 °		DRWN BY	DATE	FA M12 ETH 4P DC MA STR SCR SHLD						
▽E = 0			2 PLACES	± 0.05	MSCHWARZ	2015/07/06							
▽F = 0			3 PLACES	±	CHK'D BY	DATE							
▽ = 0			1 PLACE	± 0.3	APPR BY	DATE	PRODUCT CUSTOMER DRAWING						
▽C = 0			0 PLACES	± 0.5	DRAFT WHERE APPLICABLE MUST REMAIN WITHIN DIMENSIONS		DRAWING SIZE	THIRD ANGLE PROJECTION	SERIES	MATERIAL NUMBER	CUSTOMER		
⊗ = 0			A3	A3				130047	1300470035	GENERAL MARKET			
■ = 0	A2	REV	DOC NUMBER	DOC TYPE	DOC PART	SHEET NUMBER	1300470035 PSD 000 1 OF 1						
▽ = 0													