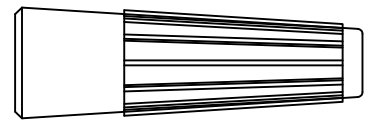
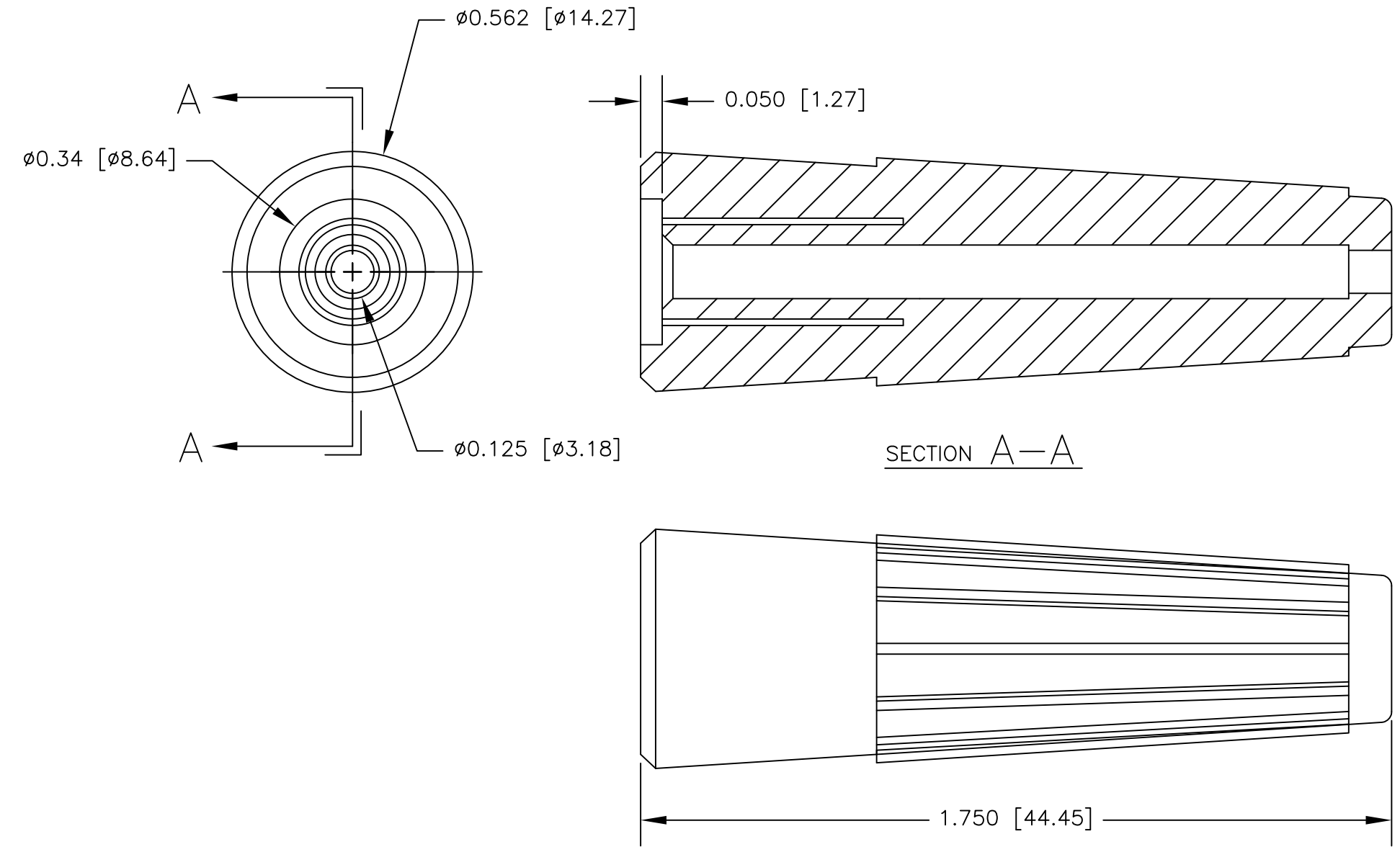


REVISIONS			
LTR	DESCRIPTION	DATE	APPROVED



ACTUAL SIZE

		UNLESS OTHERWISE SPECIFIED DIMENSIONS ARE IN INCHES TOLERANCES ARE: FRACTIONS DECIMALS ANGLES $\pm N/A$.XX $\pm N/A$ $\pm N/A$.XXX $\pm N/A$	CONTRACT NO.		E-Z-HOOK DIVISION OF TEKTEST INC. ARCADIA, CA 91006 U.S.A.
			APPROVALS	DATE	
		MATERIAL PVC	DRAWN	S.B.W.	DESCRIPTION STRAIN RELIEF BOOT FOR RG174 CABLE
			APPROVED BY	10/92	
		FINISH ALL TEN COLORS			SIZE
NEXT ASSY	USED ON				CODE IDENT NO.
APPLICATION		DO NOT SCALE DRAWING			DRAWING NO.
					REV.
					B 08505
					SR174
					SCALE
					3:1
					SHEET 1 OF 1

THE INFORMATION CONTAINED IN THIS DOCUMENT IS PROPRIETARY TO E-Z-HOOK. THE INFORMATION IS NOT TO BE REPRODUCED WITHOUT PRIOR WRITTEN PERMISSION OF E-Z-HOOK, DIV. OF TEKTEST INC. MAXIMUM TESTED RATINGS IN A HANDS-FREE CONTROLLED ENVIRONMENT. MAXIMUM RATINGS ARE NOT TO BE USED CONCURRENTLY.