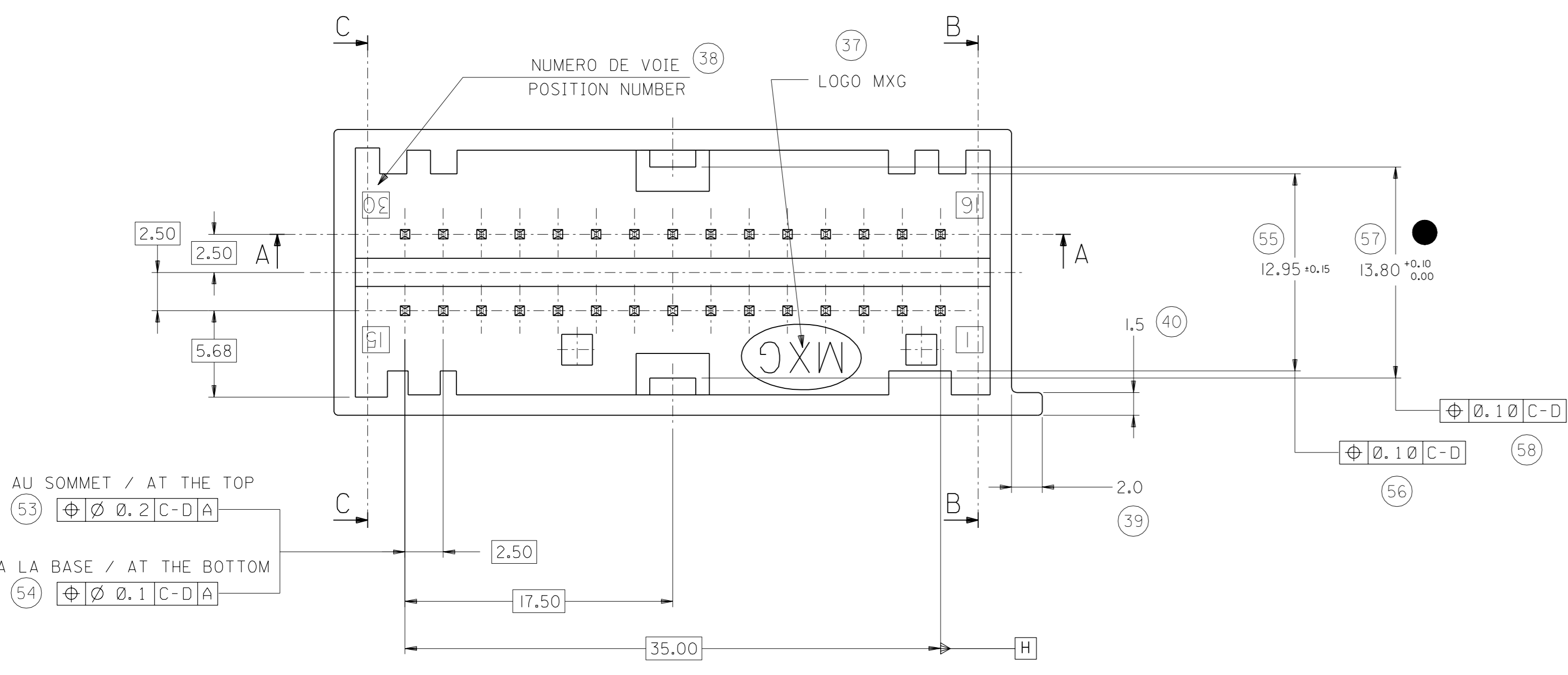


COULEUR COLOUR	MATIERE MATERIAL	REFERENCE MOLEX MOLEX PART NUMBER	DIM. C	PORTE-CLIP ASSOCIEE FEMALE MODULE ASSOCIATED
GRISE GREY	PBT-30GF	98462-1111	3.50	77 03 297 770
GRISE GREY	PCT-30GF	98462-1121	2.80	77 03 297 770
ROUGE RED	PBT-30GF	98462-1112	3.50	77 03 297 769
ROUGE RED	PCT-30GF	98462-1122	2.80	77 03 297 769
VERTE GREEN	PBT-30GF	98462-1113	3.50	77 03 297 768
VERTE GREEN	PCT-30GF	98462-1123	2.80	77 03 297 768

NOTES:

- LE CODAGE REPRESENTE CORRESPOND A LA COULEUR GRISE (MATIERE PCT)
- PIECE CONFORME AU PLAN D'EMPREINTE RENAULT REF: T 710 001 006
- EPAISSEUR CIRCUIT IMPRIME: 150 ± 0.14 mm.
- RETENTION DES CONTACT DANS L'ISOLANT: 25N min.
- EPAISSEUR D'ETAMAGE CONTACT: 1 A 3 microns m.
- CLIPSAGE DE L'EMBASE SUR CIRCUIT IMPRIME: EFFORT D'INSERTION: 10 A 30N. EFFORT D'EXTRACTION: 30N min.
- SPECIFICATION D'EMBALLAGE: PP-98462-010.

INDICATION DIMENSIONS S.P.C DENOTES S.P.C DIMENSIONS
 INDICATION DIMENSIONS FONCTIONNELLES DENOTES FUNCTIONAL DIMENSIONS
 QUANTITE PAR FEUILLE INDIVIDUELLE QUANTITY PER INDIVIDUAL SHEET
 = 1 PLACE(S) = 3 PLACE(S)



EC No. G-200 I-0061 DRWN: CBO 00/11/30 CHK: / APPR: / REV: /	QUALITY SYMBOLS MAJOR CRITICAL C	GENERAL TOLERANCES: (UNLESS SPECIFIED)	SCALE 4 : 1	DESIGN UNITS <input checked="" type="checkbox"/> mm <input type="checkbox"/> INCH	SHT REV
		4 PLACES ±0. ±. 3 PLACES ±0. ±. 2 PLACES ±0.10 ±. 1 PLACE ±0.15 ±. ANGULAR: ±2 °	DRAWN BY & DATE PGR 98/09/04 CHECKED BY & DATE PDE / / APPROVED BY & DATE CBO / / CAD FILENAME S98462X1.DGN	DIMENSIONS: <input type="checkbox"/> mm <input type="checkbox"/> INCH <input checked="" type="checkbox"/> mm ONLY	REVISE ON CAD ONLY
DRAFT WHERE APPLICABLE MUST REMAIN WITHIN DIMENSIONS		THIS DRAWING CONTAINS INFORMATION THAT IS PROPRIETARY TO MOLEX INCORPORATED AND SHOULD NOT BE USED WITHOUT WRITTEN PERMISSION.		TITLE: EMBASE 30 VOIES CMS SMT HEADER 30 WAY CUSTOMER DRAWING MOLEX INCORPORATED	
		MATERIAL NO. SEE CHART DRAWING NO. SD-98462-004 SHEET NO. 1 OF 1		SIZE E	