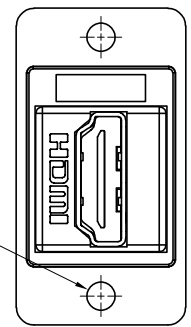
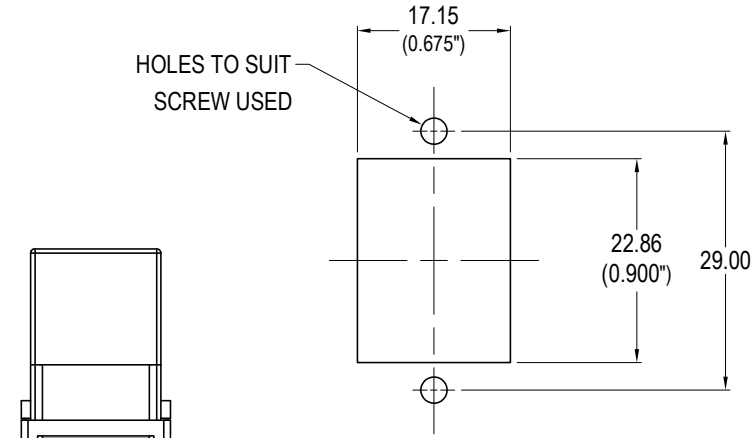
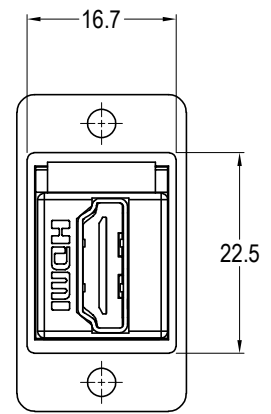
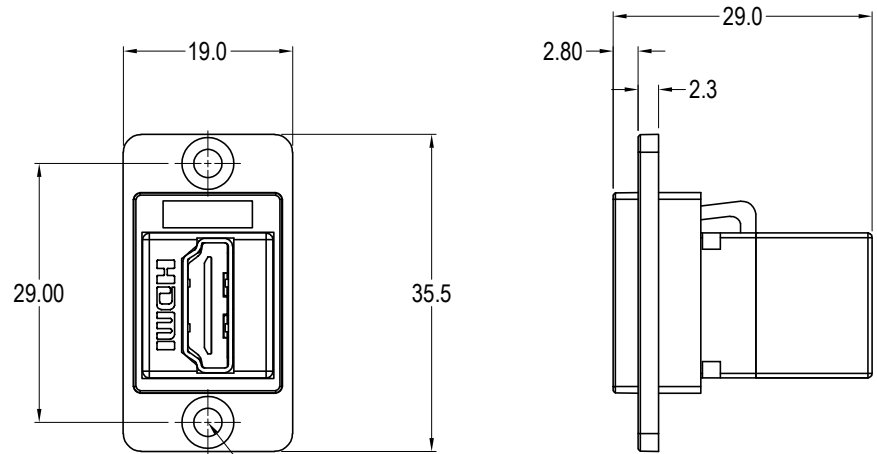


ISS.	AMEND	DATE
1	ISSUED	05/01/21

DUAL MOUNT  
CAN BE FRONT OR REAR MOUNTED



Ø3.20 PLAIN HOLE  
CP30700GMX1



VARIANTS	
PART NO.	HOLE DETAILS
CP30700GM	HOLE Ø3.2 x CSK 90° x Ø5.85
CP30700GM3	M3 HOLES
CP30700GM440	#4-40 HOLES
CP30700GMX1	PLAIN HOLE Ø3.2

- 4x HOLE VARIANTS
- Ø3.2mm CSK 90° x Ø5.85
  - M3 x 0.5 THREAD
  - #4-40 UNC THREAD
  - PLAIN Ø3.2 HOLES

- Material:
1. Insert: ABS UL94 HB
  2. FT Frame: Diecast, Nickel plated
  3. Shell: Gold plated
  4. Contacts: Gold Plated

**RoHS**  
COMPLIANT

TOLERANCE

NO DEC. PLACE ±  
1 DEC. PLACE ±  
2 DEC. PLACE ±  
HOLE Ø ±  
ANGLES ±  
UNLESS OTHERWISE STATED

DO NOT SCALE