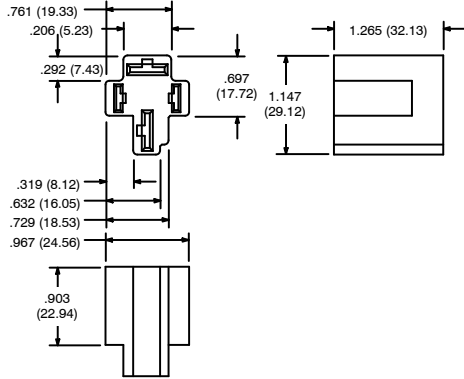


R95-160A

Features

- For R51 Series 70 Amp Automotive Relay
- Quick Connect AMP Terminals supplied with socket:
2 each of 42281-1 (gold) and 2 each of 280756-4 (silver)



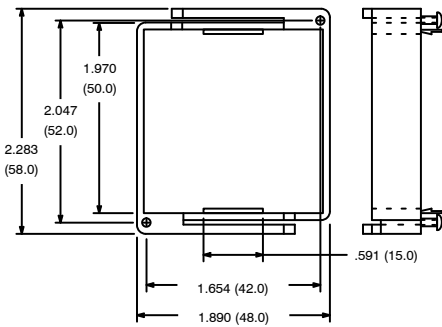
4-Pin Automotive High Current Socket



R95-161

For use with the following NTE types:

- R64 Series
- R65 Series



Panel Mount Bracket



R95-180



For use with the following NTE types:

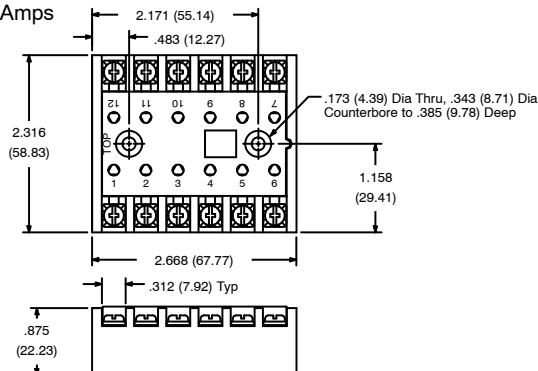
- R17 Series

Features

- Surface Mount
- With Pressure Clamp Screws

Electrical Rating:

300Volts, 10 Amps



12-Pin Heavy Duty Socket

