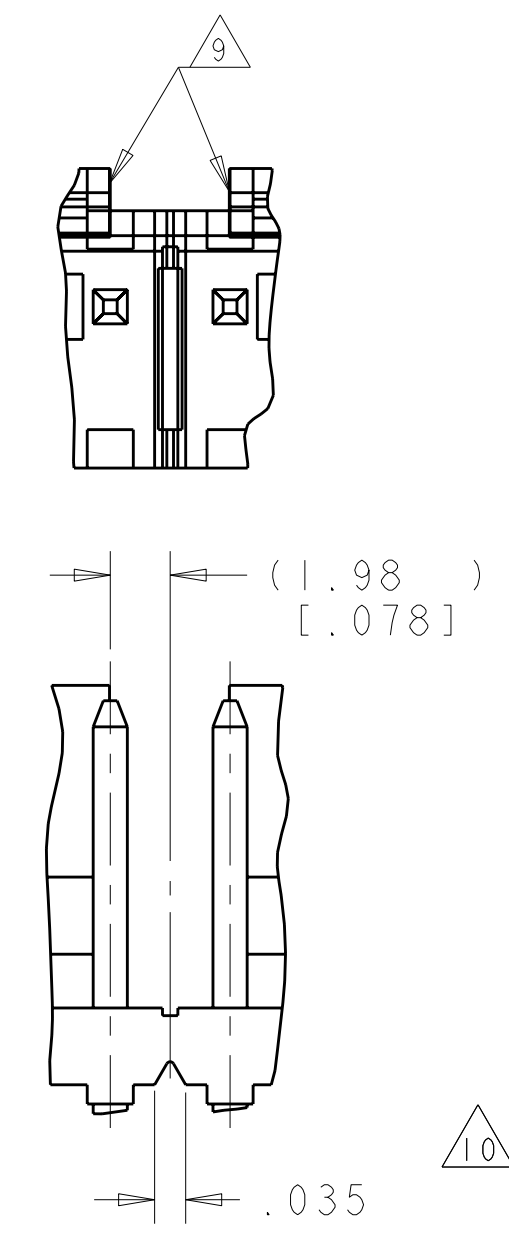
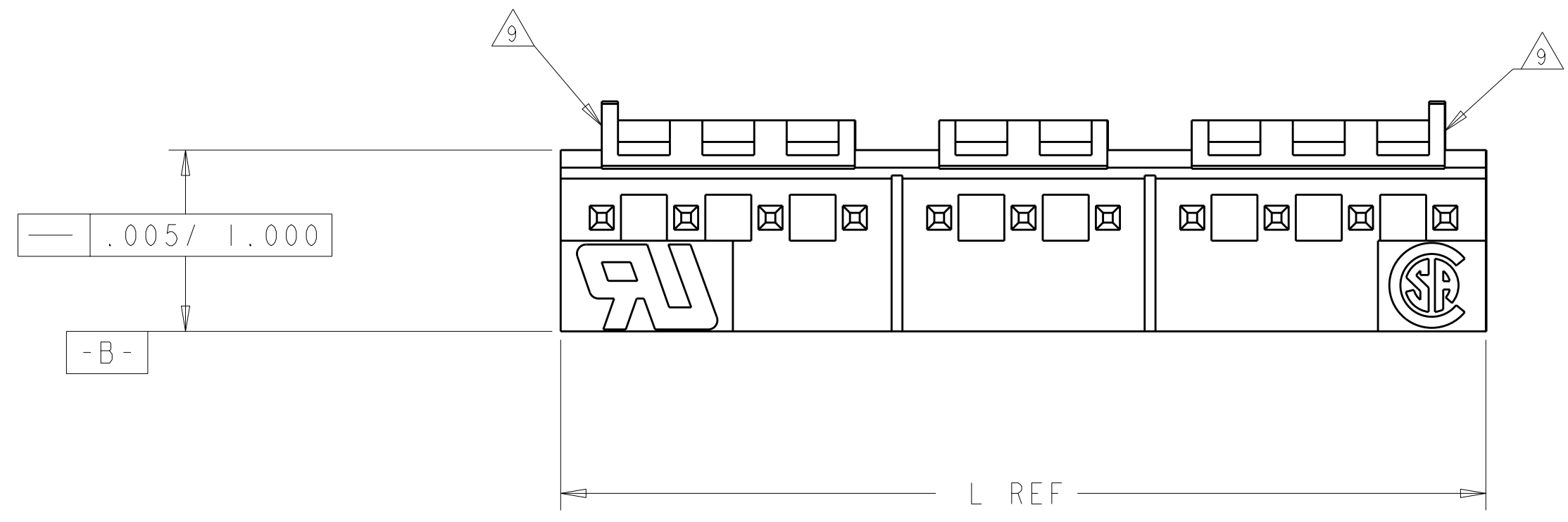
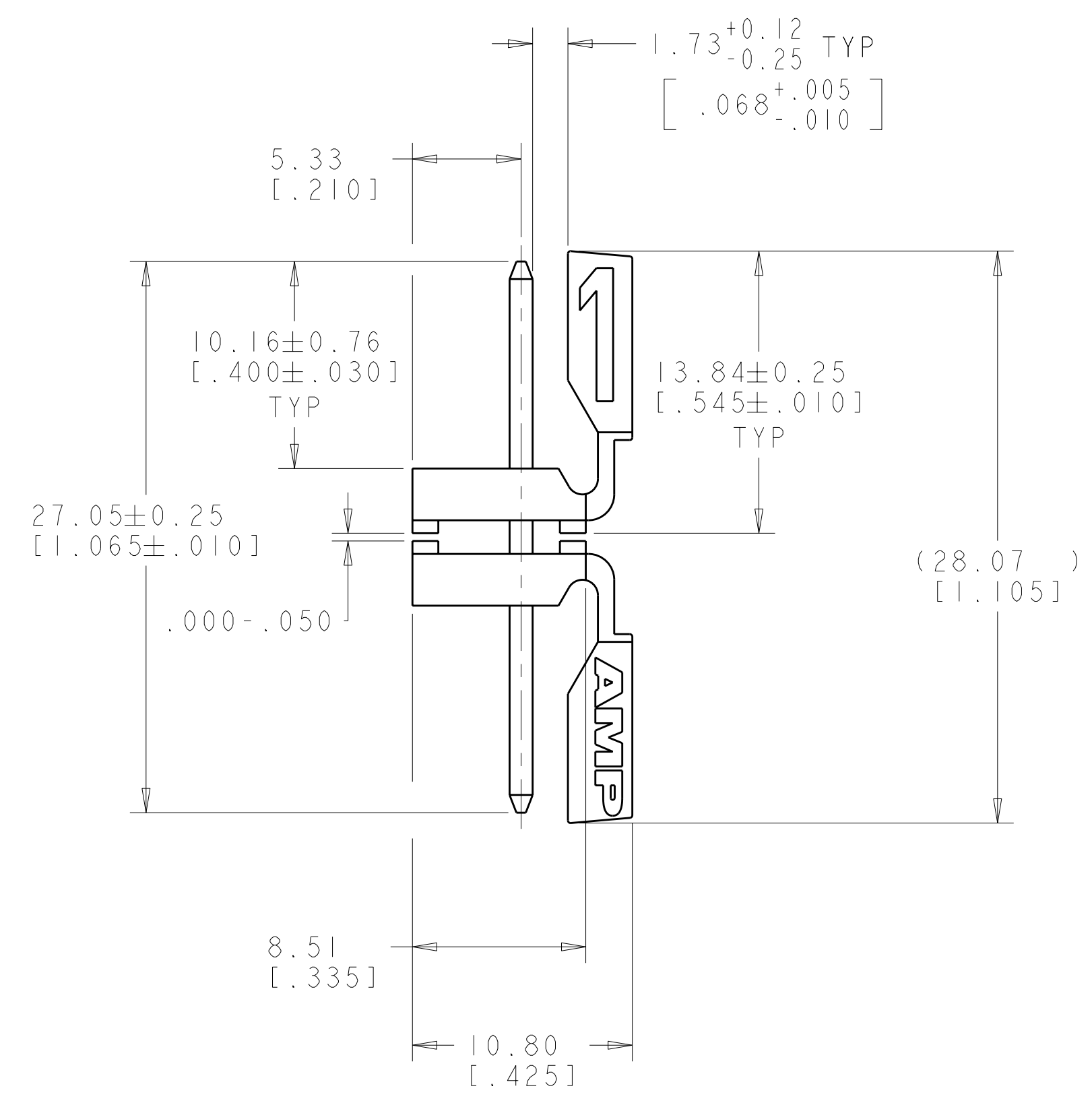
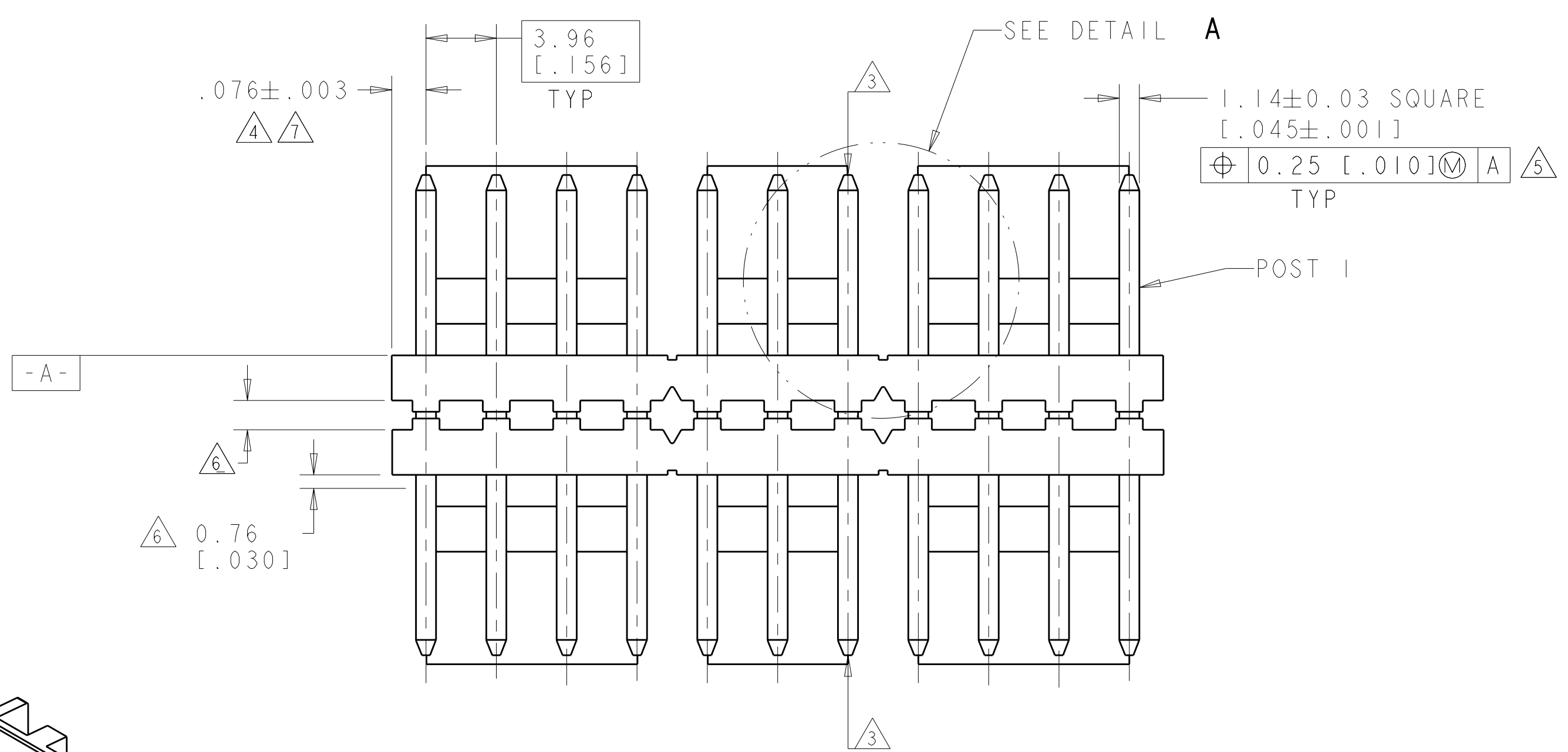


LOC	DIST	REVISIONS			
CM	00	REV	DATE	BY	APPD
		A1	11AUG06	KW	DB



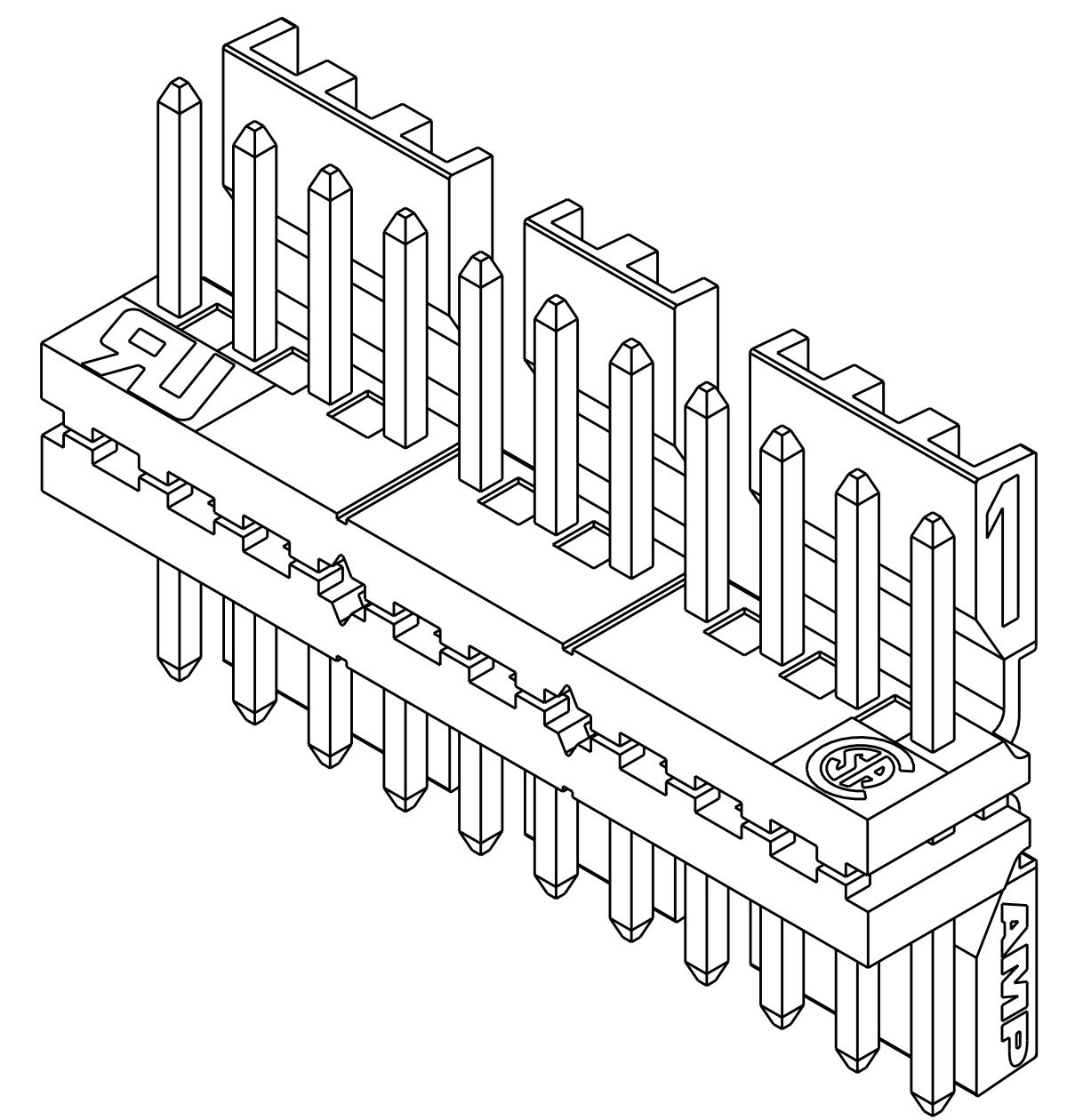
DETAIL A
 SCALE 4:1
 FEATURES ARE TYPICAL
 FOR P/N 1744001-6 THRU 1-1744001-1

- 1 MATERIAL - HOUSING: THERMOPLASTIC POLYESTER, GLASS FILLED, UL94V-0. POST: COPPER ALLOY.
- 2 FINISH - HOUSING: NATURAL. POST: BRIGHT TIN PLATE, 0.00380-0.00880 [.000150-.000350] THK OVER NICKEL UNDERPLATE, 0.00130 [.000050] MIN THK.
- 3 POSTS TO WITHSTAND 13.34 N (3 LBS) MIN AXIAL FORCE IN EITHER DIRECTION WITHOUT DISLODGING.
- 4 APPLIES AT -A-.
- 5 APPLIES WHEN HEADER IS STRAIGHT.
- 6 PLASTIC PROJECTIONS PERMITTED IN THIS ZONE.
- 7 COORDINATE DIMENSION APPLIES FROM CENTER OF THE ACTUAL FEATURE.
- 8. DIMENSIONS IN BRACKETS ARE IN INCHES.
- 9 EDGE OF POLARIZING LOCK WALL TO BE IN LINE WITH CENTERLINE OF ADJACENT POST WITHIN ±0.13 [.005].
- 10 NOTCH SHOWN MAY OR MAY NOT APPEAR.



1-1744001-1 SHOWN

47.42 [.1867]	12	1-1744001-2
43.46 [.1711]	11	1-1744001-1
39.50 [.1555]	10	1-1744001-0
35.53 [.1399]	9	1744001-9
31.57 [.1243]	8	1744001-8
27.61 [.1087]	7	1744001-7
23.65 [.0931]	6	1744001-6
19.69 [.0775]	5	1744001-5
15.72 [.0619]	4	1744001-4
11.76 [.0463]	3	1744001-3
7.80 [.0307]	2	1744001-2
L DIM	NO OF POSN	PART NO



DIMENSIONS: mm [INCHES] TOLERANCES UNLESS OTHERWISE SPECIFIED: 9 PLC ± 8 PLC ± 5 PLC ±0.13 (1.005) 4 PLC ± ANGLES ± FINISH #0/30		DWN: WHITAKER CHK: D. BOSSI APVD: D. BOSSI DATE: 11AUG2006 NAME: MTA-156 IN-LINE SPLICE, POLARIZED LOCK, .045 SQUARE, TIN, SPECIAL SIZE: CAGE CODE: DRAWING NO: 00779 CUSTOMER DRAWING	Tyco Electronics Harrisburg, PA 17105-3608 RESTRICTED TO
MATERIAL:		SCALE: 4:1 SHEET: 1 OF 1 REV: A1	