

REL-MR-110DC/21HC/MS - Single relay



1012737

<https://www.phoenixcontact.com/us/products/1012737>

Please be informed that the data shown in this PDF document is generated from our online catalog. Please find the complete data in the user documentation. Our general terms of use for downloads are valid.



Plug-in miniature relay, with power contact, 1 changeover contact, test button, mechanical switch position indicator, status LED, freewheeling diode, polarity A1+, A2-, input voltage 110 V DC

Your advantages

- With detectable manual operation
- Integrated status LED
- Switching current of up to 16 A
- Mechanical switch position indicator
- DC types with integrated freewheeling diode

Commercial data

Item number	1012737
Packing unit	1 pc
Minimum order quantity	1 pc
Note	Made to order (non-returnable)
Sales key	C460
Product key	CK6191
GTIN	4055626490748
Weight per piece (including packing)	18 g
Weight per piece (excluding packing)	18 g
Customs tariff number	85364900
Country of origin	CN

REL-MR-110DC/21HC/MS - Single relay



1012737

<https://www.phoenixcontact.com/us/products/1012737>

Technical data

Product properties

Product type	Single relay
Mechanical service life	5x 10 ⁶ cycles

Electrical properties

Service life electrical	see diagram
Maximum power dissipation for nominal condition	0.43 W
Test voltage (Winding/contact)	5 kV AC (50 Hz, 1 min., winding/contact)

Input data

Coil side

Nominal input voltage U _N	110 V DC
Input voltage range	88 V DC ... 242 V DC (20 °C)
Drive and function	monostable
Drive (polarity)	non-polarized
Typical input current at U _N	3.6 mA
Typical response time	9 ms
Typical release time	6 ms

Output data

Switching

Contact switching type	1 changeover contact
Type of switch contact	Single contact
Contact material	AgNi
Maximum switching voltage	250 V AC/DC
Minimum switching voltage	12 V (at 10 mA)
Limiting continuous current	16 A
Maximum inrush current	32 A (20 ms)
Min. switching current	10 mA (at 12 V)
Interrupting rating (ohmic load) max.	4000 VA (for 250 V AC)
Motor load according to UL 508	1/4 HP, 120 V AC (N/O contact) 1/2 HP, 240 V AC (N/O contact)

Connection data

Connection method	Plug / solder connection
-------------------	--------------------------

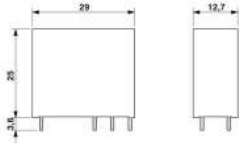
Dimensions

REL-MR-110DC/21HC/MS - Single relay



1012737

<https://www.phoenixcontact.com/us/products/1012737>

Dimensional drawing		
Width		12.7 mm
Height		29 mm
Depth		25 mm

Environmental and real-life conditions

Ambient conditions

Ambient temperature (operation)	-40 °C ... 70 °C
Ambient temperature (storage/transport)	-40 °C ... 85 °C

Approvals

Corrosive gas test

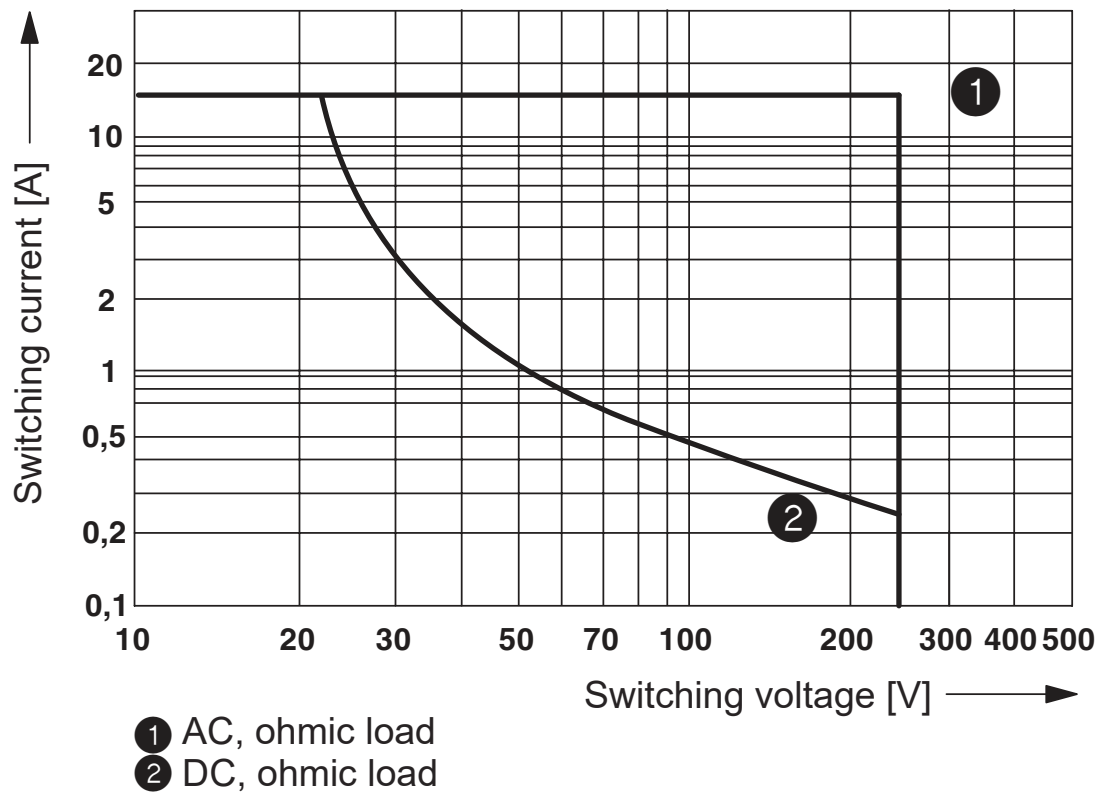
Identification	ISA-S71.04. G3 Harsh Group
	EN 60068-2-60

Standards and regulations

Standards/regulations	EN 61810-1
	VDE 0435-201
	EN 50178

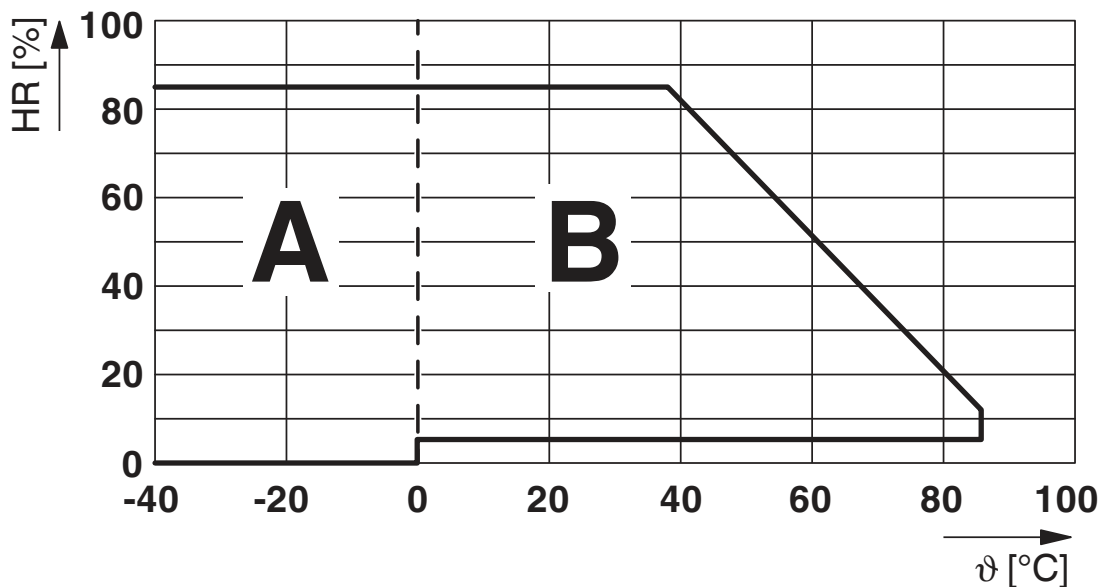
Drawings

Diagram



Interrupting rating

Diagram



Permissible humidity for operation and storage.

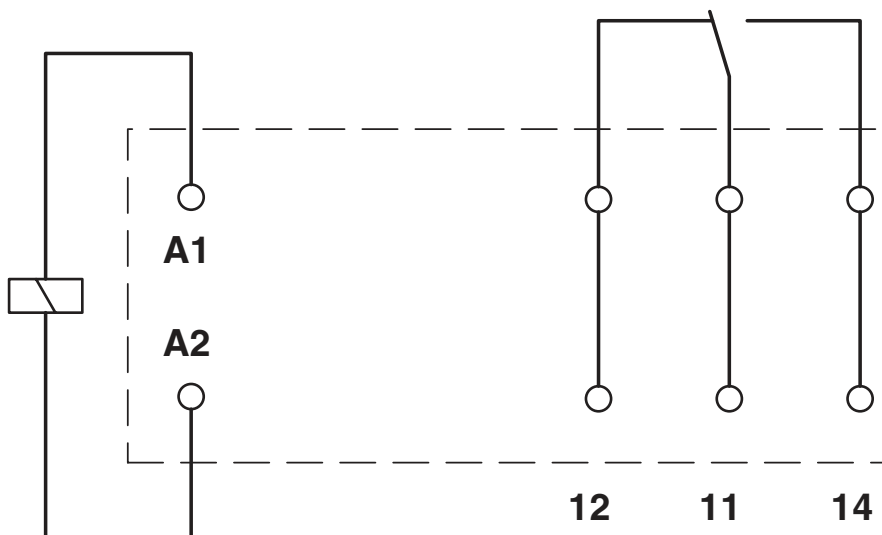
The maximum permissible ambient temperature as specified in the data sheet must be observed.

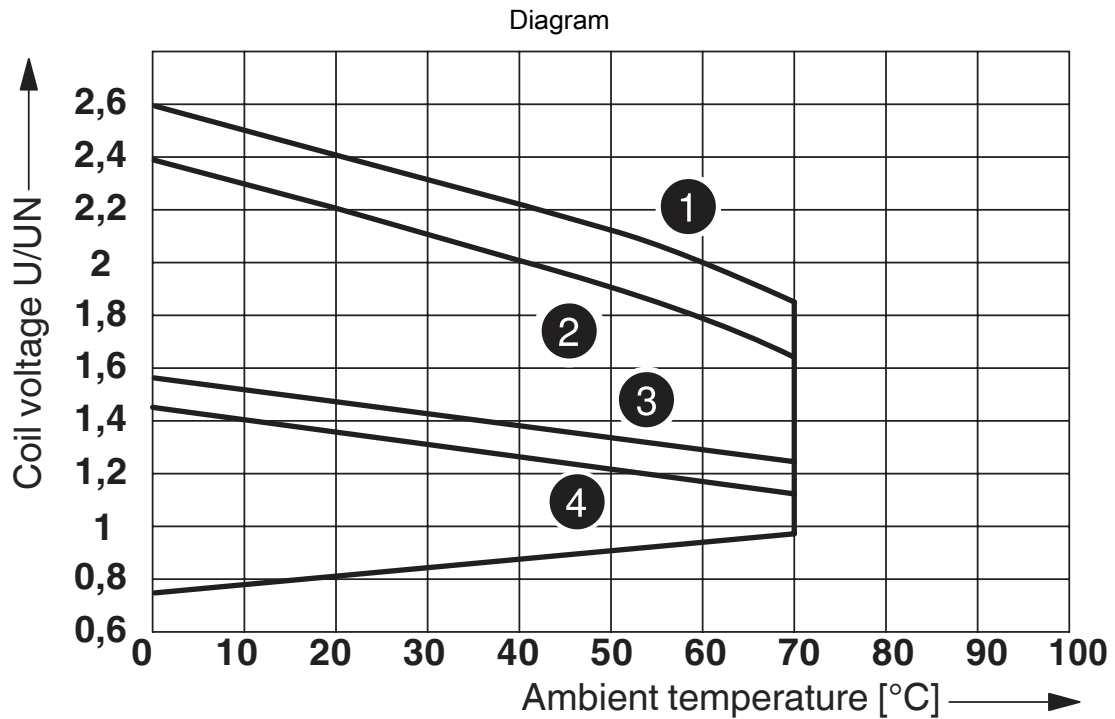
Area A: Ice buildup at ambient temperatures $\leq 0^\circ\text{C}$ must be prevented

Area B: Condensation at ambient temperatures $> 0^\circ\text{C}$ must be prevented

On 30 full days that are naturally distributed across an entire year, a humidity level of 95% is permissible at an ambient temperature $\leq 25^\circ\text{C}$.

Circuit diagram

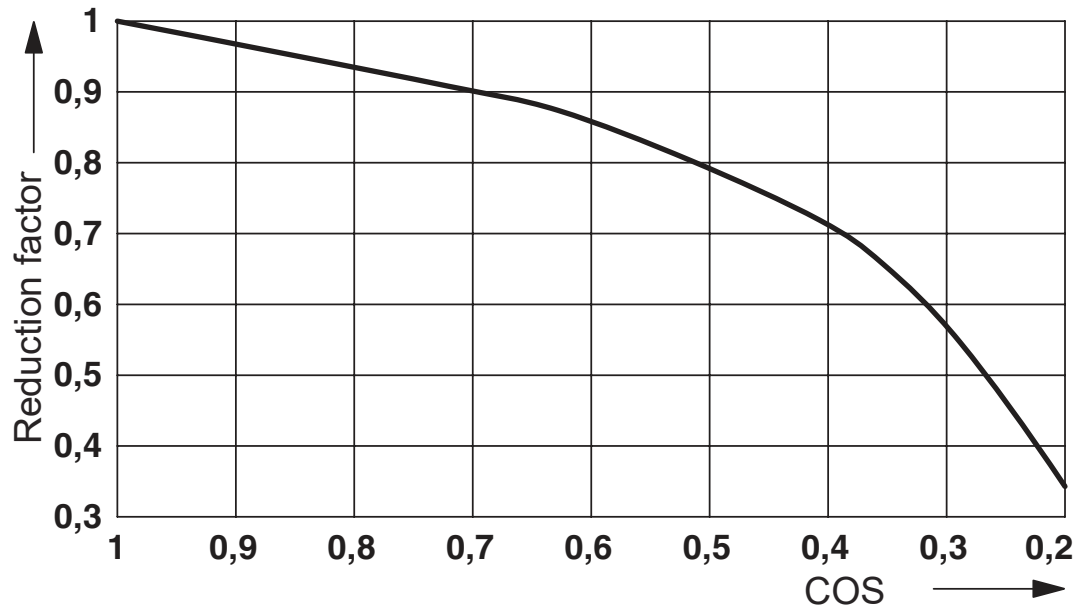




- ① DC coils, 0 A contact current
- ② DC coils, 16 A contact current
- ③ AC coils, 0 A contact current
- ④ AC coils, 16 A contact current

Operating voltage range

Diagram

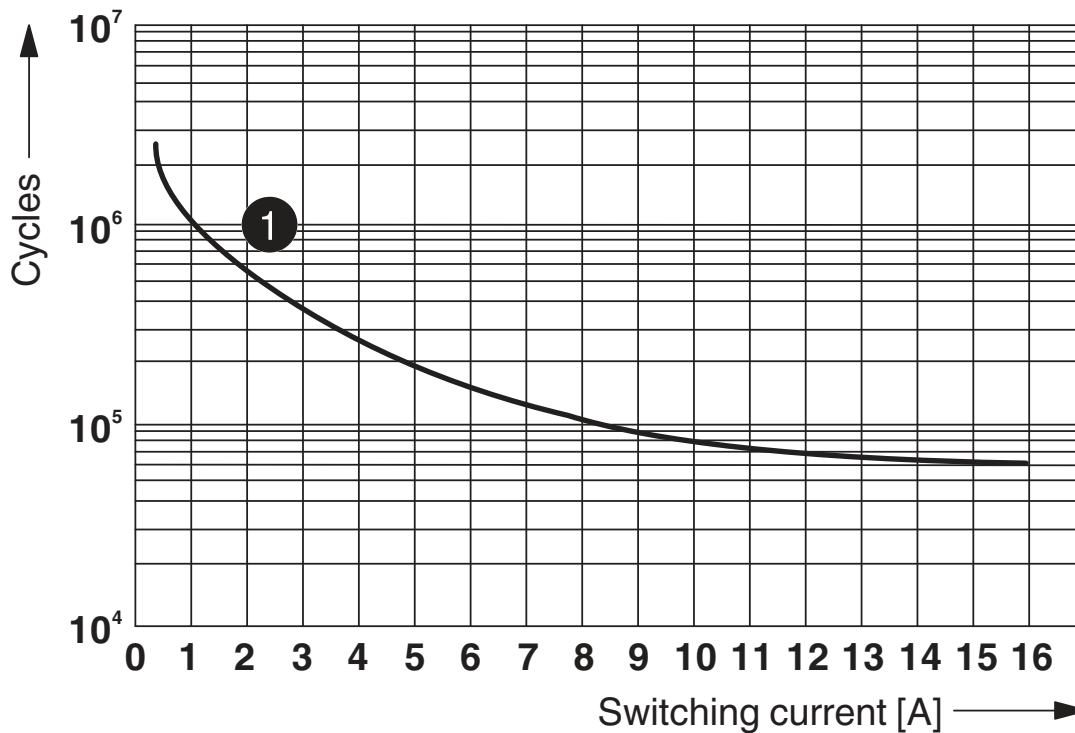


Service life reduction factor with various cos phi

1012737

<https://www.phoenixcontact.com/us/products/1012737>

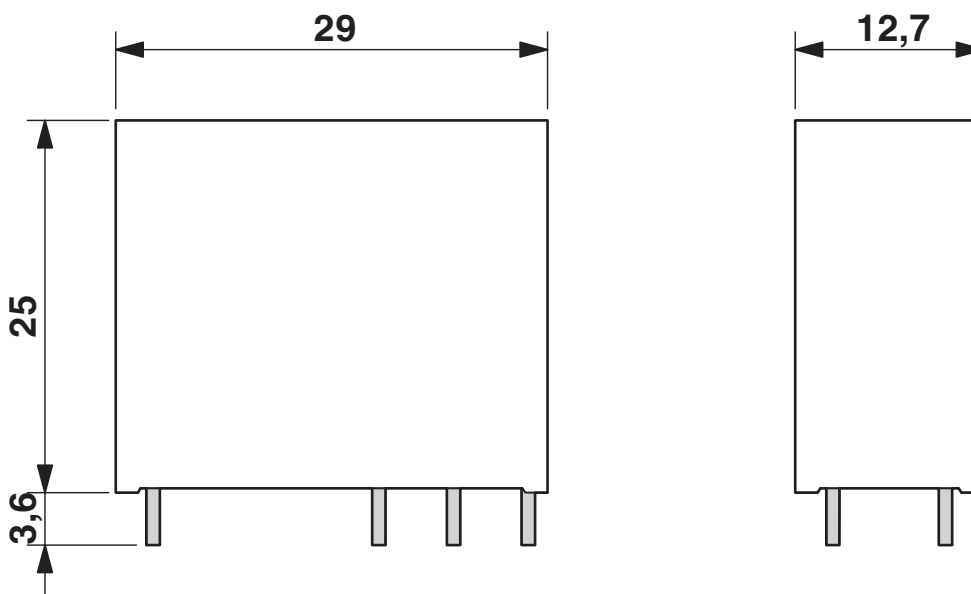
Diagram



① 250 V AC, ohmic load

Electrical service life

Dimensional drawing



REL-MR-110DC/21HC/MS - Single relay



1012737

<https://www.phoenixcontact.com/us/products/1012737>

Approvals

To download certificates, visit the product detail page: <https://www.phoenixcontact.com/us/products/1012737>



cUL Recognized

Approval ID: FILE E 172140



UL Recognized

Approval ID: FILE E 172140



EAC

Approval ID: TR_TS_D_00573_c



EAC

Approval ID: RU*C-DE.*08.B.00010

cULus Recognized

REL-MR-110DC/21HC/MS - Single relay



1012737

<https://www.phoenixcontact.com/us/products/1012737>

Classifications

ECLASS

ECLASS-11.0	27371601
ECLASS-12.0	27371601
ECLASS-13.0	27371601

ETIM

ETIM 8.0	EC001437
----------	----------

UNSPSC

UNSPSC 21.0	39122300
-------------	----------

REL-MR-110DC/21HC/MS - Single relay



1012737

<https://www.phoenixcontact.com/us/products/1012737>

Environmental product compliance

China RoHS	Environmentally friendly use period: unlimited = EFUP-e
	No hazardous substances above threshold values

Phoenix Contact 2023 © - all rights reserved
<https://www.phoenixcontact.com>

Phoenix Contact USA
586 Fulling Mill Road
Middletown, PA 17057, United States
(+717) 944-1300
info@phoenixcon.com