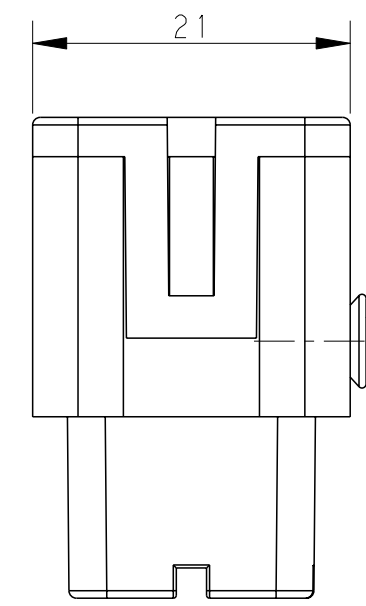
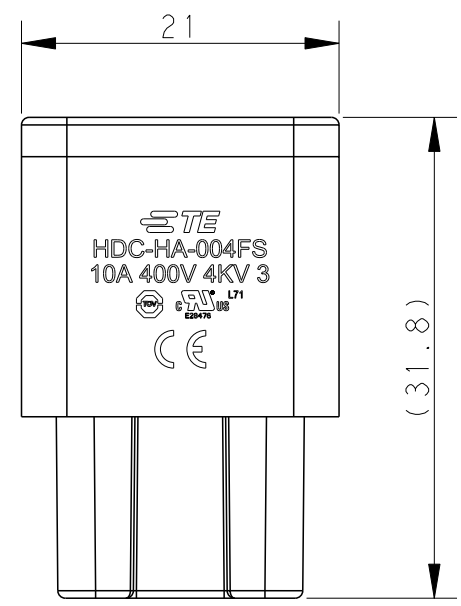
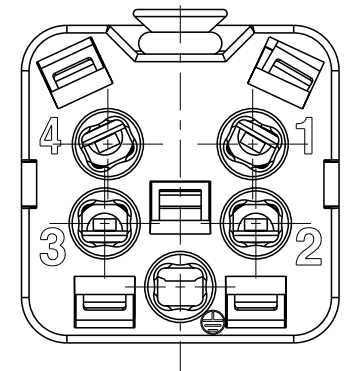
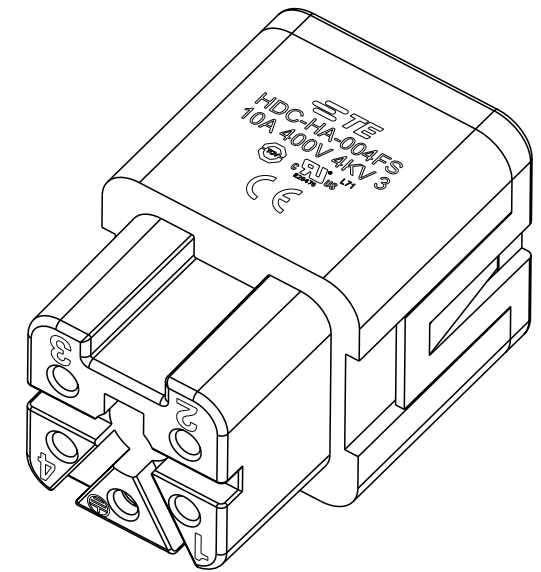
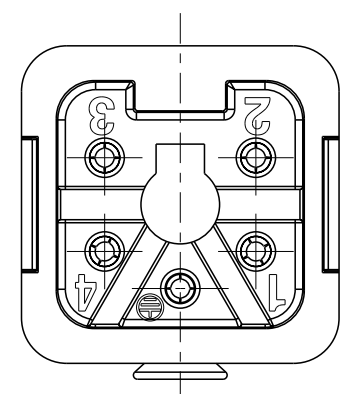


THIS DRAWING IS UNPUBLISHED. RELEASED FOR PUBLICATION 20  
 © COPYRIGHT 20 BY - ALL RIGHTS RESERVED.

REVISIONS					
P	LTR	DESCRIPTION	DATE	DWN	APVD
	A	INITIAL RELEASE	18DEC2014	DW	CW
	B	ECR-15-013750	21SEP2015	DW	CW
	B1	ECR-15-016224	05NOV2015	DW	CW
	C	ECR-20-016101	09JUN2021	BS	CW



M3 SCREW,  
RECOMMENDED  
TIGHTENING  
TORQUE 0.5Nm



NOTES:  
 1. TECHNICAL CHARACTERISTICS:  
 INSULATION MATERIAL: PC  
 RATED VOLTAGE: 400 V  
 RATED CURRENT: 10 A  
 INSULATION RESISTANCE:  $\geq 400M\Omega$   
 RATED IMPULSE VOLTAGE: 4 KV  
 POLLUTION DEGREE: 3  
 FLAMMABILITY: UL94V-0  
 MATING CYCLES: 500 CYCLES  
 WIRE RANGE: 0.5-2.5 mm<sup>2</sup> (20-14 AWG)  
 CONTACT FINISH: SILVER PLATED  
 CONTACT TYPE: SPRING CONTACT

注释:  
 1. 技术参数:  
 绝缘材料: PC  
 额定电压: 400V  
 额定电流: 10A  
 绝缘电阻:  $\geq 400M\Omega$   
 额定脉冲电压: 4 KV  
 污染等级: 3  
 阻燃等级: UL94V-0  
 插拔次数: 500 次  
 接线范围: 0.5-2.5 mm<sup>2</sup> (20-14 AWG)  
 端子表面处理: 镀银  
 接线类型: 弹片压接

printed on 18 Jun 2021 15:01 (China Standard Time) from TE236667

THIS DRAWING IS A CONTROLLED DOCUMENT.		DWN 18DEC2014 DAVID WANG	<b>TE Connectivity</b>			
DIMENSIONS: mm		CHK 18DEC2014 CHRIS WANG				NAME HA-004-FS
TOLERANCES UNLESS OTHERWISE SPECIFIED: 0 PLC ±- 1 PLC ±- 2 PLC ±- 3 PLC ±- 4 PLC ±- ANGLES ±-		APVD 18DEC2014 XU XIANG				PRODUCT SPEC 108-137045
MATERIAL -		FINISH -				APPLICATION SPEC 114-137045
		WEIGHT -	SIZE A3	CAGE CODE 00779	DRAWING NO T2010043201000	RESTRICTED TO -
		Customer Drawing	SCALE 2:1	SHEET 1 OF 1	REV C	