

## PHASE SHIFTERS

Mechanical Adjustment with Screw Driver Shaft and Lock.  
For Digital Counting Dial add "D" suffix to the Model Number  
Phase Shift is linear with frequency and continuously variable.

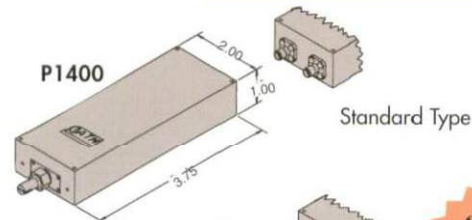
RF Power: 100 Watt Average  
3 KW Peak  
RF Connectors: SMA Female or Type N Female



### P1400 and P2400 series

Standard Size  
3.75" X 2" X 1"

Model No.* (SMA)	Model No.* (Type N)	Freq (GHz)	Phase Adjust (min)	I.L. (dB max)	VSWR (max)
P1403	P2403	DC-2.3	30°/GHz	0.5	1.5
P1404	P2404	DC-4.3	30°/GHz	0.5	1.5
P1405	P2405	DC-8.3	30°/GHz	0.6	1.5
P1406	P2406	DC-12.7	30°/GHz	0.7	1.5
P1407	P2407	DC-18.6	30°/GHz	1.0	1.6
P1408	P2408	DC-26.5	30°/GHz	1.5	2.0
P1408-360	N/A	18.0-26.5	0°-360°	1.5	1.8
P1409-360	N/A	18.0-40.0	0°-360°	2.5	2.0

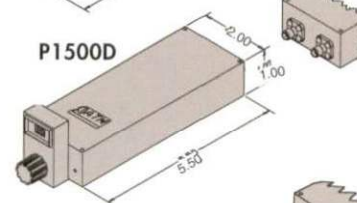


Standard Type

### P1500 and P2500 series

Standard Size  
5.5" X 2" X 1"

Model No.* (SMA)	Model No.* (Type N)	Freq (GHz)	Phase Adjust (min)	I.L. (dB max)	VSWR (max)
P1503	P2503	DC-2.3	60°/GHz	0.5	1.5
P1504	P2504	DC-4.3	60°/GHz	0.5	1.5
P1505	P2505	DC-8.2	60°/GHz	0.6	1.5
P1506	P2506	DC-12.7	60°/GHz	0.7	1.5
P1507	P2507	DC-18.6	60°/GHz	1.0	1.6
P1508	P2508	18-26.0	60°/GHz	1.5	2.0



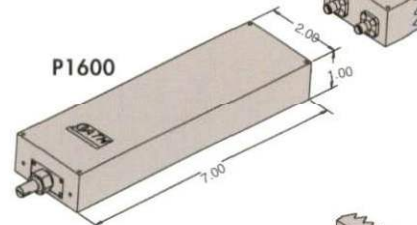
P1500D

See ATM Website For Additional Models

### P1600 and P2600 series

Standard Size  
7" X 2" X 1"

Model No.* (SMA)	Model No.* (Type N)	Freq (GHz)	Phase Adjust (min)	I.L. (dB max)	VSWR (max)
P1603	P2603	DC-2.3	90°/GHz	0.5	1.5
P1604	P2604	DC-4.3	90°/GHz	0.5	1.5
P1605	P2605	DC-8.2	90°/GHz	0.6	1.5
P1606	P2606	DC-12.7	90°/GHz	0.7	1.5
P1607	P2607	DC-18.6	90°/GHz	1.0	1.6



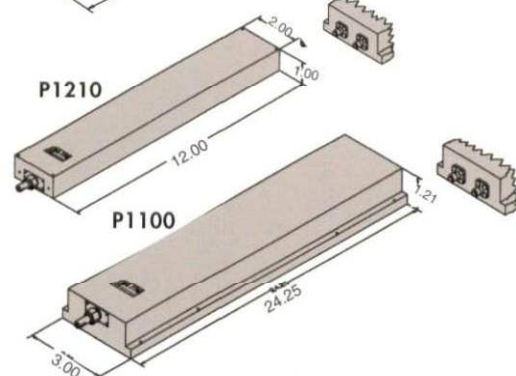
P1600

\* For a Digital Counting Dial add "D" suffix to model number

### series P1210, P2210, P1100 and P2100

Standard Size  
180° 12" X 2" X 1"  
360° 24" X 3" X 1.2"

Model No.* (SMA)	Model No.* (Type N)	Freq (GHz)	Phase Adjust (min)	I.L. (dB max)	VSWR (max)
P1213	P2213	DC-2.3	180°/GHz	0.6	1.3
P1214	P2214	DC-4.3	180°/GHz	0.7	1.5
P1102	P2102	DC-1.0	360°/GHz	0.5	1.3
P1103	P2103	DC-2.5	360°/GHz	0.8	1.5



P1210

P1100

## LINE STRETCHERS

Locking Device Included  
Smooth Continuous Phase Change  
Light Weight Aluminum Housing  
50 Ohm impedance  
Operating Temperature Range: -54°C to +115°C  
SMA and Type N Connectors



Freq (GHz)	VSWR (max)	Min. Phase Adjust	I.L. (dB Max)	Model No. (SMA)	Model No. (Type N)
DC-2.3	1.25	15°/GHz	0.2	P1913	P2913
DC-4.3	1.30	15°/GHz	0.25	P1914	P2914
DC-8.2	1.40	15°/GHz	0.30	P1915	P2915
DC-12.7	1.50	15°/GHz	0.5	P1916	P2916
DC-18.6	1.50	15°/GHz	0.6	P1917	P2917
DC-26.5	1.60	15°/GHz	0.8	P1918	N/A

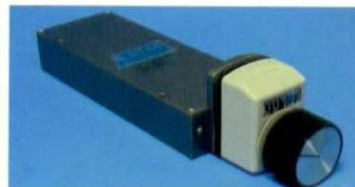
### Phase Shifter Drive Options

Standard Models are supplied with lock nut & Knob  
For Digital Counting Dial add "D" suffix to Model number  
For Direct Reading Dial add "DRE" suffix to Model number  
For 28 Volt Motor Driver add -28 to the Model number  
For Stepper Motor add -SM24 to the model number

### Phase Shifter Drive Options



Standard Type



Digital Counting Dial (-D)



Direct Reading (-DRE)



Motor Drive (-28) OR SM24