

# IAX/LUX/LEX SERIES

## Low-Depth, Hydraulic-Magnetic Circuit Breakers

### Introduction

Our lowest depth breaker family, the Airpax IAX/LUX/LEX series hydraulic magnetic circuit breaker allows increased density in datacenter rack power distribution units while leaving more space for equipment, wiring and airflow. These UL-489 Listed and IEC 60947-2 (pending) breakers are available in 1 and 2 pole models using a unique handle actuator (patent pending) which minimizes breaker volume while maintaining reliable switching and over current protection. Available high interrupt capacity 10 kAIC and low resistance all copper conductors meet the needs of high performing, high efficiency datacenters.



### Features

- Based on the proven high performance of the Airpax LEG series
- Low depth to minimize PDU intrusion into equipment rack space
- 240VAC rating on a single pole further minimizes space requirements
- 5 kAIC and 10 kAIC versions available
- Standard (copper and brass) and low resistance (all copper) conductors available
- Unique handle actuator for protection against accidental “turn-off” with minimal size and no handle guard required
- Screw terminals provide secure vibration resistant connection for high reliability applications
- Terminal orientation allows simple power conductor routing and ease of assembly

### SPECIFICATIONS

Percentage of Rated Current vs Trip Time in Seconds

Delay	100%	125%	150%	200%	400%	600%	800%	1000%
61	No Trip	.7-12	.35-7	.130-3	.030-1	.015-.3	.01-.15	.01-.1
62	No Trip	10-120	6-60	2-20	.2-3	.015-2	.015-.8	.01-25
63	No Trip	50-700	30-400	10-150	1.5-20	.015-10	.013-.85	.013-.5
69	No Trip	.120 MAX.	.100 MAX.	.050 MAX.	.022 MAX.	.017 MAX.	.017 MAX.	.017 MAX.

### Typical Resistance / Impedance

Current Rating (Amps)	DC Resistance - Ohms	
	Standard	All Copper
2.0	.400	.385
14.0	.0098	.0091
15.0	.0075	.0070
20.0	.0049	.0046
30.0	.0027	.0024

DCR and Impedance based on 100% rated current applied and stabilized for a minimum of one hour. Tolerance 2.0 - 2.5 amperes ± 20%; 2.6 -20. amperes ± 25%, 21.-30. amperes ± 50%. Consult Sensata for special values and for coil impedance of delays not shown.

### Inrush Pulse Tolerance

Delay	Pulse Tolerance
61, 62, 63	10 times rated current (approx)

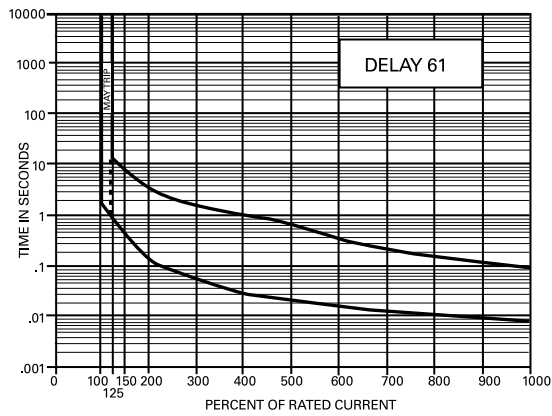
The table above provides a comparison of inrush pulse tolerance for each of the 50/60Hz delays. Pulse tolerance is defined as a single pulse of half sine wave peak current amplitude of 8 milliseconds duration that will not trip the circuit breaker. Consult Sensata for further assistance.

# Agency Approval - LUX Circuit Breakers

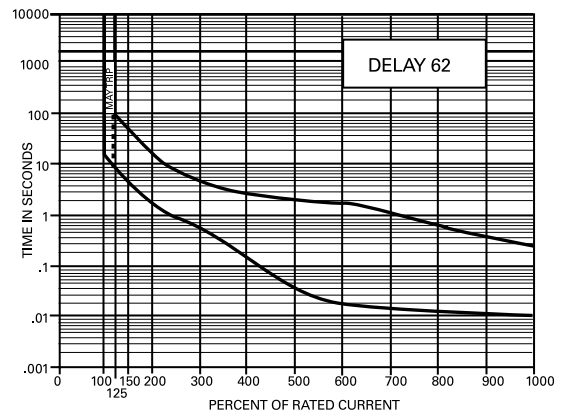
Max Voltage	Frequency (Hz)	Phase	Minimum Poles	UL/CSA rated current	UL489 short circuit
240	50/60	1	1	2-30	5,000
240	50/60	1	1 only	15-30	10,000
240	50/60	1	2 only	2-30	10,000

## DELAY CURVES

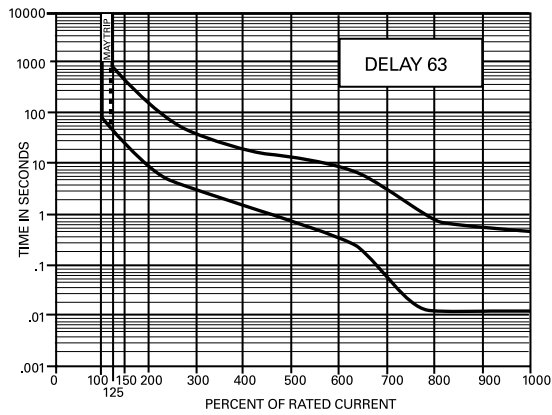
50/60Hz Short Delay



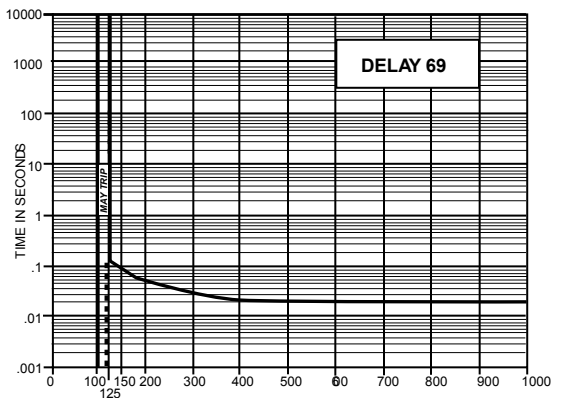
50/60Hz Medium Delay

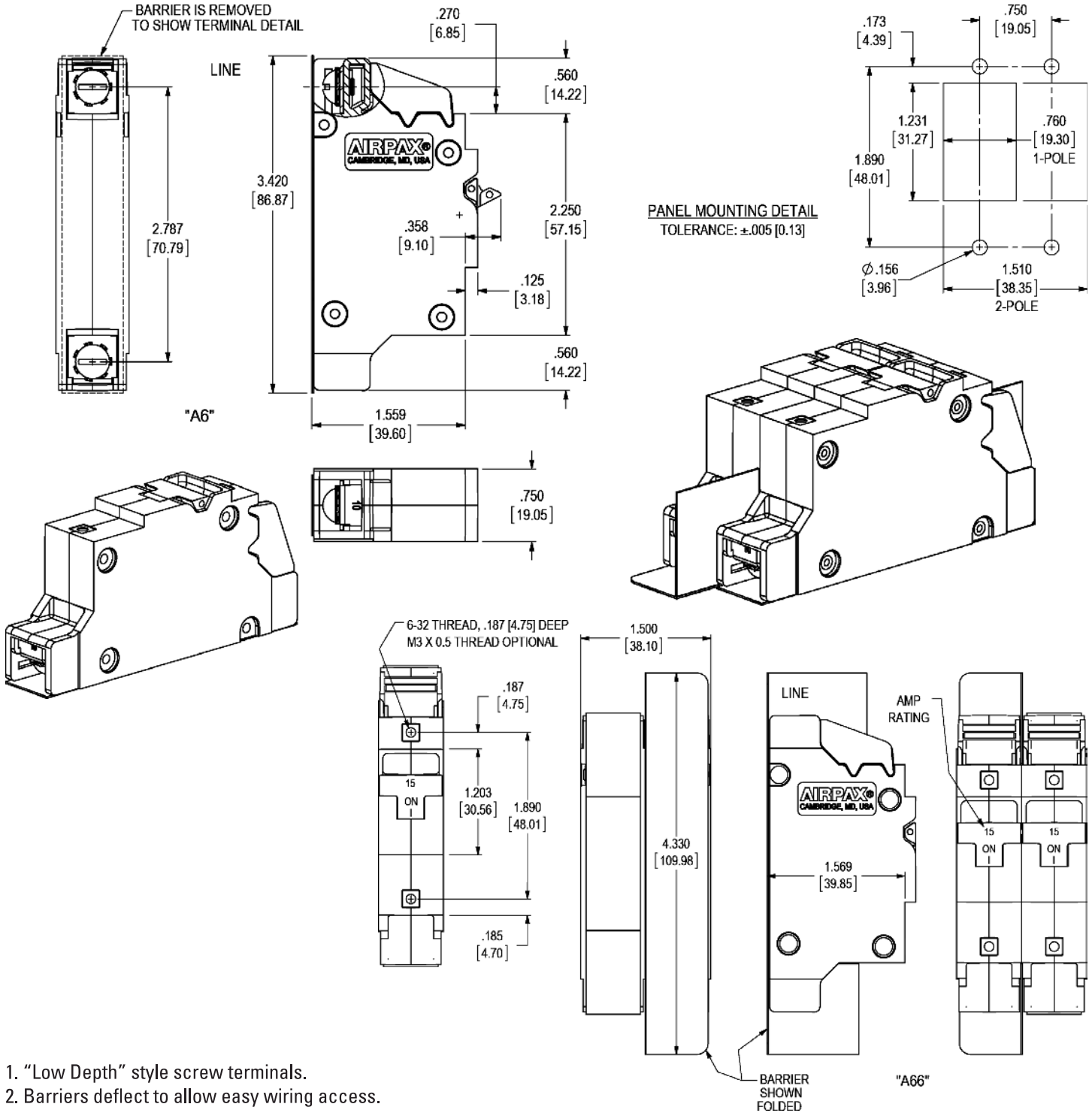


50/60Hz Long Delay (Motor Start)



50/60Hz 125% Instant Trip

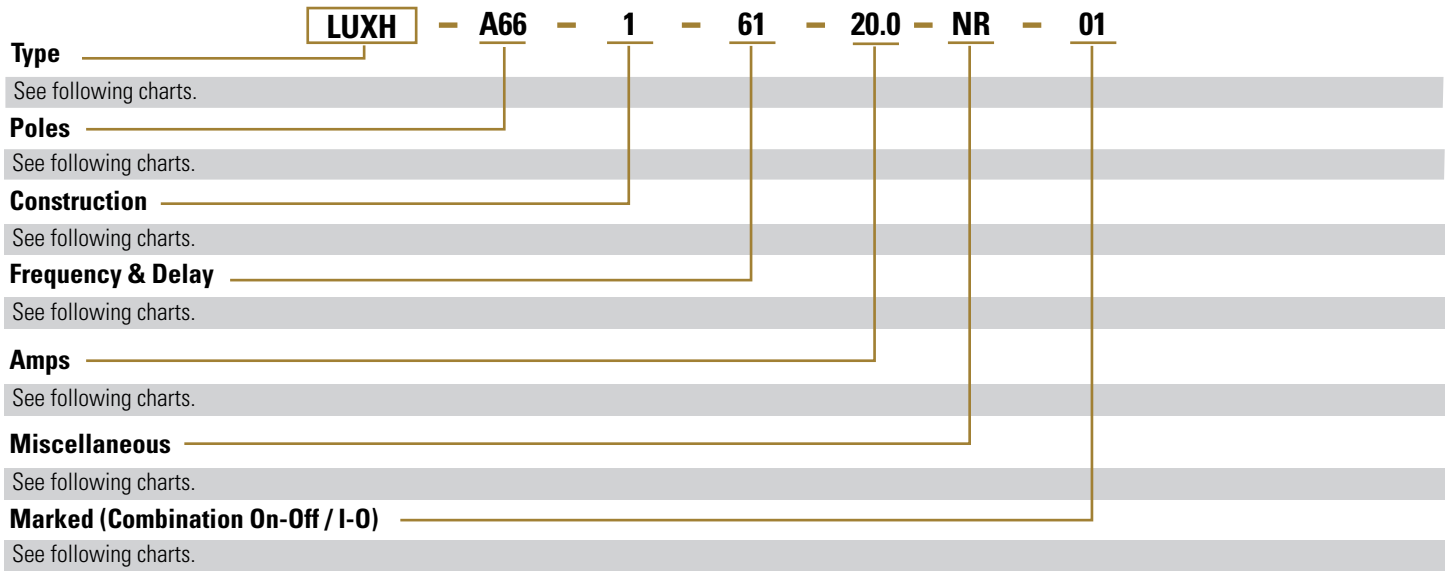




1. "Low Depth" style screw terminals.
2. Barriers deflect to allow easy wiring access.



Two Pole (One Handle per Pole), Two Pole, -1 Series, 50/60 Short Delay, 20 amps, "All Copper" Option/10kAIC, Black with White Markings



Type

<b>LUX</b>	Single Pole	U.L. listed per 489, C22.2 No. 5
<b>LUXH</b>	Two Pole One Handle per pole	
<b>IAX</b>	Single Pole	Special customer variation not covered by agency approvals.
<b>IAXH</b>	Two Pole One handle per pole	

1. Individual units riveted together as a single unit are indicated by "M" following the "type" (e.g. LUXHM). Must be handles in all poles. No mechanical linkage is provided between units.

2. See ratings table for specific rating values

Construction

<b>-1</b>	Series
-----------	--------

Amps

<b>8.0</b>	8 Amp
<b>15.0</b>	15 Amp
<b>16.0</b>	16 Amp
<b>20.0</b>	20 Amp
<b>25.0</b>	25 Amp
<b>30.0</b>	30 Amp

For other ratings, contact Sensata.

Poles

<b>Screw Terminals</b>	
<b>Low Depth</b>	
<b>A6</b>	Single Pole
<b>A66</b>	Two Pole

1. Screw terminals are 10-32. M5 terminals are available as an option in the sixth decision.

Frequency & Delay

<b>-61</b>	50/60 Short Delay
<b>-62</b>	50/60 Long Delay
<b>-63</b>	50/60 Extra Long / Motor Start
<b>-69</b>	50/60 125% Instant Trip

Miscellaneous

<b>-A</b>	Metric thread mounting, terminals and screws
<b>-N</b>	"All Copper" option
<b>-R</b>	10kAIC

1. One or more descriptors may be used as required.  
2. When no sixth decision is selected, ASME/ANSI threads will be supplied.

Marked (Combination On-Off / I-O)

<b>-01</b>	Black with White Markings
------------	---------------------------

## AGENCY APPROVALS



- UL-489 Listed and IEC 60947-2 (pending)

## WARNINGS

### RISK OF MATERIAL DAMAGE AND HOT ENCLOSURE

- The product's side panels may be hot, allow the product to cool before touching
- Follow proper mounting instructions including torque values
- Do not allow liquids or foreign objects to enter this product



**Failure to follow these instructions can result in serious injury, or equipment damage.**



### HAZARD OF ELECTRIC SHOCK, EXPLOSION OR ARC FLASH

- Disconnect all power before installing or working with this equipment
- Verify all connections and replace all covers before turning on power

**Failure to follow these instructions can result in death or serious injury.**

Sensata Technologies, Inc. ("Sensata") data sheets are solely intended to assist designers ("Buyers") who are developing systems that incorporate Sensata products (also referred to herein as "components"). Buyer understands and agrees that Buyer remains responsible for using its independent analysis, evaluation and judgment in designing Buyer's systems and products. Sensata data sheets have been created using standard laboratory conditions and engineering practices. Sensata has not conducted any testing other than that specifically described in the published documentation for a particular data sheet. Sensata may make corrections, enhancements, improvements and other changes to its data sheets or components without notice.

Buyers are authorized to use Sensata data sheets with the Sensata component(s) identified in each particular data sheet. HOWEVER, NO OTHER LICENSE, EXPRESS OR IMPLIED, BY ESTOPPEL OR OTHERWISE TO ANY OTHER SENSATA INTELLECTUAL PROPERTY RIGHT, AND NO LICENSE TO ANY THIRD PARTY TECHNOLOGY OR INTELLECTUAL PROPERTY RIGHT, IS GRANTED HEREIN. SENSATA DATA SHEETS ARE PROVIDED "AS IS". SENSATA MAKES NO WARRANTIES OR REPRESENTATIONS WITH REGARD TO THE DATA SHEETS OR USE OF THE DATA SHEETS, EXPRESS, IMPLIED OR STATUTORY, INCLUDING ACCURACY OR COMPLETENESS. SENSATA DISCLAIMS ANY WARRANTY OF TITLE AND ANY IMPLIED WARRANTIES OF MERCHANTABILITY, FITNESS FOR A PARTICULAR PURPOSE, QUIET ENJOYMENT, QUIET POSSESSION, AND NON-INFRINGEMENT OF ANY THIRD PARTY INTELLECTUAL PROPERTY RIGHTS WITH REGARD TO SENSATA DATA SHEETS OR USE THEREOF.

All products are sold subject to Sensata's terms and conditions of sale supplied at [www.sensata.com](http://www.sensata.com) SENSATA ASSUMES NO LIABILITY FOR APPLICATIONS ASSISTANCE OR THE DESIGN OF BUYERS' PRODUCTS. BUYER ACKNOWLEDGES AND AGREES THAT IT IS SOLELY RESPONSIBLE FOR COMPLIANCE WITH ALL LEGAL, REGULATORY AND SAFETY-RELATED REQUIREMENTS CONCERNING ITS PRODUCTS, AND ANY USE OF SENSATA COMPONENTS IN ITS APPLICATIONS, NOTWITHSTANDING ANY APPLICATIONS-RELATED INFORMATION OR SUPPORT THAT MAY BE PROVIDED BY SENSATA.

Mailing Address: Sensata Technologies, Inc., 529 Pleasant Street, Attleboro, MA 02703, USA.

## CONTACT US

### Americas

508-236-2551  
electrical-protection-sales@  
sensata.com

### Europe, Middle East & Africa

+31743578156  
info-sse@list.sensata.com

### Asia Pacific

sales.isasia@list.sensata.com

**China** +86 (21) 2306 1500

**Japan** +81 (45) 277 7117

**Korea** +82 (31) 601 2004

**India** +91 (80) 67920890

### Rest of Asia

+886 (2) 27602006 ext 2808