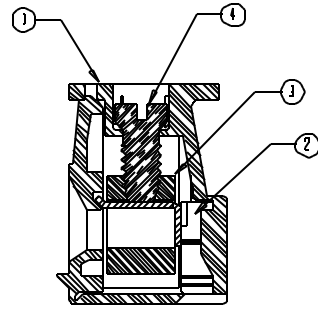
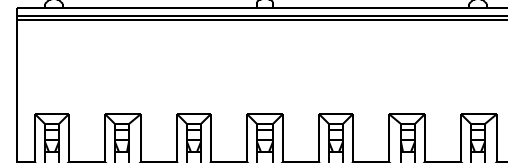
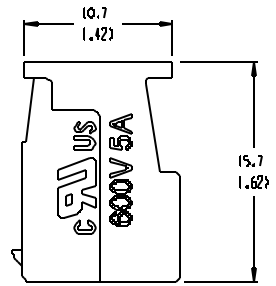
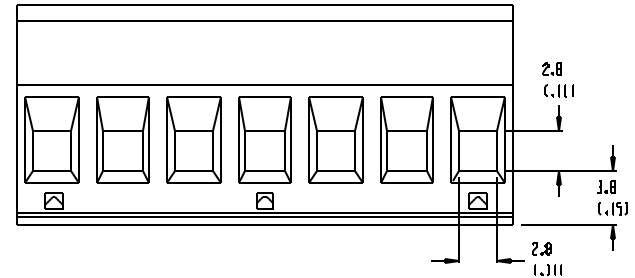


AUXILIARY VIEW  
SCALE 2:1



SECTION Z-Z



- NOTES:
1. MATERIAL: SEE TABLE
  2. FINISHES: SEE TABLE
  3. PRODUCT SPECIFICATION: NOT REQUIRED
  4. PACKAGING: NOT REQUIRED
  5. MATES WITH: 39980

ITEM	QTY.	DESCRIPTION	MATERIAL	FINISH
4	4	SCREW	STEEL	ZN, CLEAR CHROMATE
3	4	RISING CAGE	BRASS	NICKEL
2	4	TERMINAL	PHOS. BRONZE	TIN
1	1	INSULATOR	NYLON	BLACK

EC NO. 11499  
 DRWN: RK 2-13-04  
 CHK: [ ]  
 APPR: [ ]

DESCRIPTION: [ ]

REV: [ ]

QUALITY SYMBOLS:  
 MAJOR [ ]  
 CRITICAL [ ]  
 SPEC [ ]

GENERAL TOLERANCES (UNLESS SPECIFIED)

	MM	INCH
4 PLACES	±.0015	±.0005
3 PLACES	±.038	±.005
2 PLACES	±.13	±.01
1 PLACE	±.3	

ANGULAR: ±2°

DRAFT WHERE APPLICABLE MUST REMAIN WITHIN DIMENSIONS

SCALE: 3:1

DESIGN UNITS:  MM  INCH

THIRD ANGLE PROJECTION

DRAWN BY & DATE: AMP 9/22/03

CHECKED BY & DATE: R KEMP 10/13/03

APPROVED BY & DATE: P WALTZ 10/20/03

CAD FILENAME: 980904-56

PROJECT NO. [ ]

DIMENSIONS:  MM  INCH  BOTH

TITLE: SR PLUG SKIP CIRCUIT ASSEMBLY

MOLEX INCORPORATED

MATERIAL NO. 399800204

DRAWING NO. SD-39980-003

SHEET NO. 1 OF 1

THIS DRAWING CONTAINS INFORMATION THAT IS PROPRIETARY TO MOLEX INCORPORATED AND SHOULD NOT BE USED WITHOUT WRITTEN PERMISSION.