

5

4

3

2

1

G

G

F

F

E

E

D

D

C

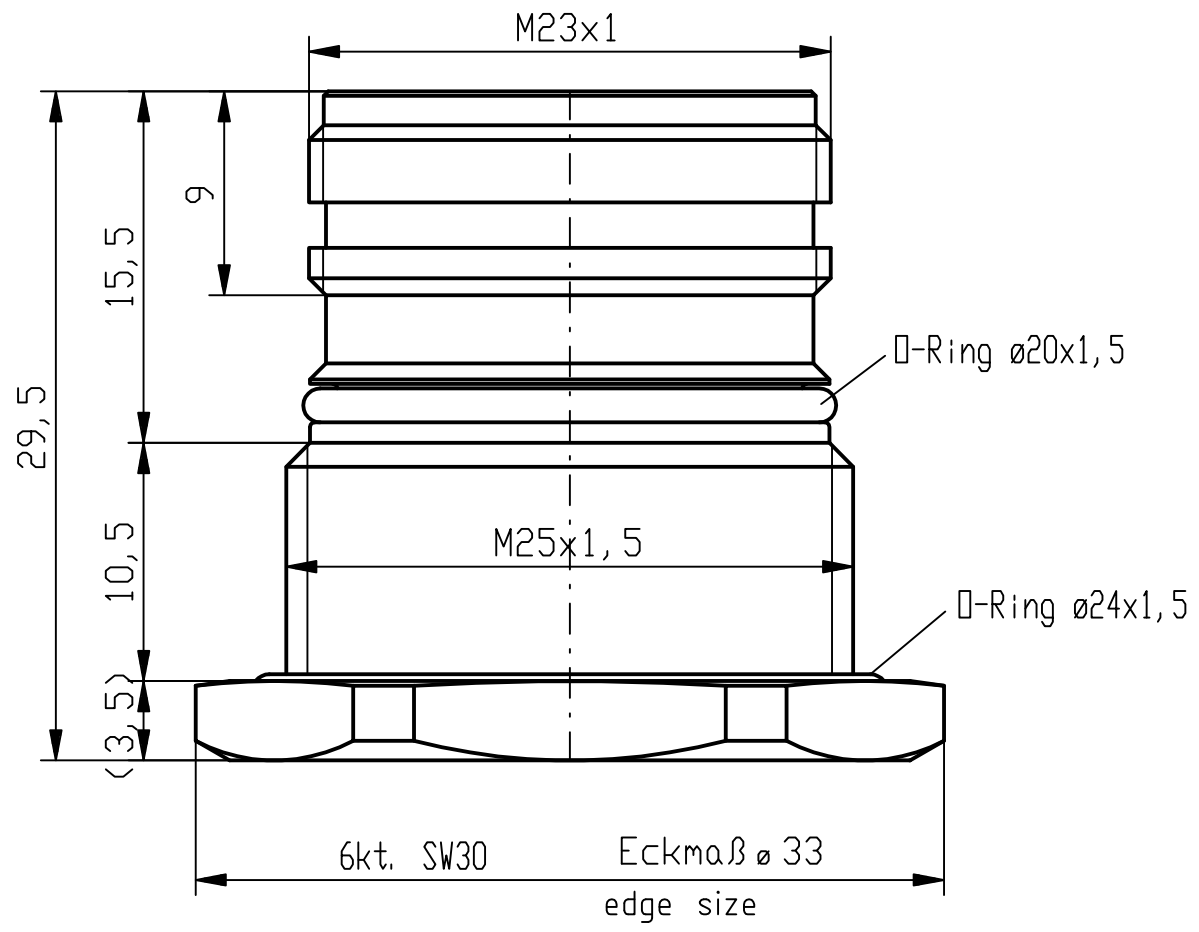
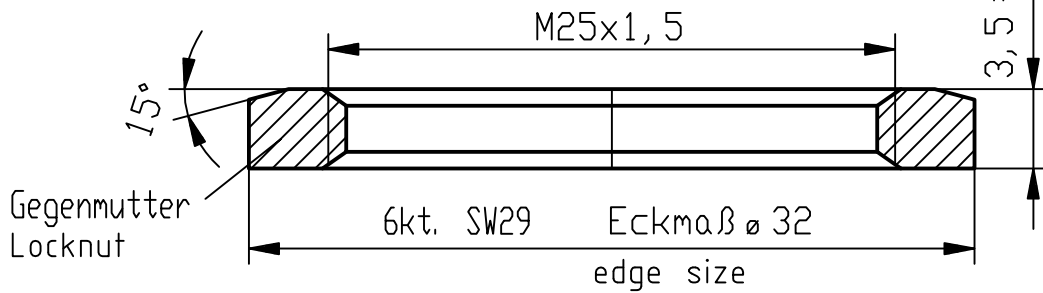
C

B

B

A

A



Notes:

Packaging units: 5 pcs

Tolerances (unless specified): DIN ISO 2768 m

Bemerkungen:

Verpackungseinheit: 5 Stück

Toleranzen (sofern nichts anderes angegeben ist): DIN ISO 2768 m

DESCRIPTION EC NO: WEU2008-0019 DRWN: BBRAUCH 2008/05/16 CHKD: LS 2008/05/20 APPR: REISSNER 2008/05/27	QUALITY SYMBOLS	GENERAL TOLERANCES (UNLESS SPECIFIED)		DIMENSION STYLE MM		SCALE 3:1	DESIGN UNITS METRIC	FIRST ANGLE PROJECTION	
		4 PLACES	±----	±----	DRAWN BY BB	DATE 2008/05/16	M23 REC MALE BM M25 SHELL P/N: KRS0P46-000		
		3 PLACES	±----	±----	CHECKED BY	DATE			
		2 PLACES	±----	±----	APPROVED BY	DATE	MOLEX INCORPORATED		
		1 PLACE	±----	±----	RE	2008/05/20			
		ANGULAR ± --- °		MATERIAL NO. 1202320013	DOCUMENT NO. SD-120232-013	SHEET NO. 1 OF 1			
01	REV	DRAFT WHERE APPLICABLE MUST REMAIN WITHIN DIMENSIONS		THIS DRAWING CONTAINS INFORMATION THAT IS PROPRIETARY TO MOLEX INCORPORATED AND SHOULD NOT BE USED WITHOUT WRITTEN PERMISSION					

5

4

3

2

1