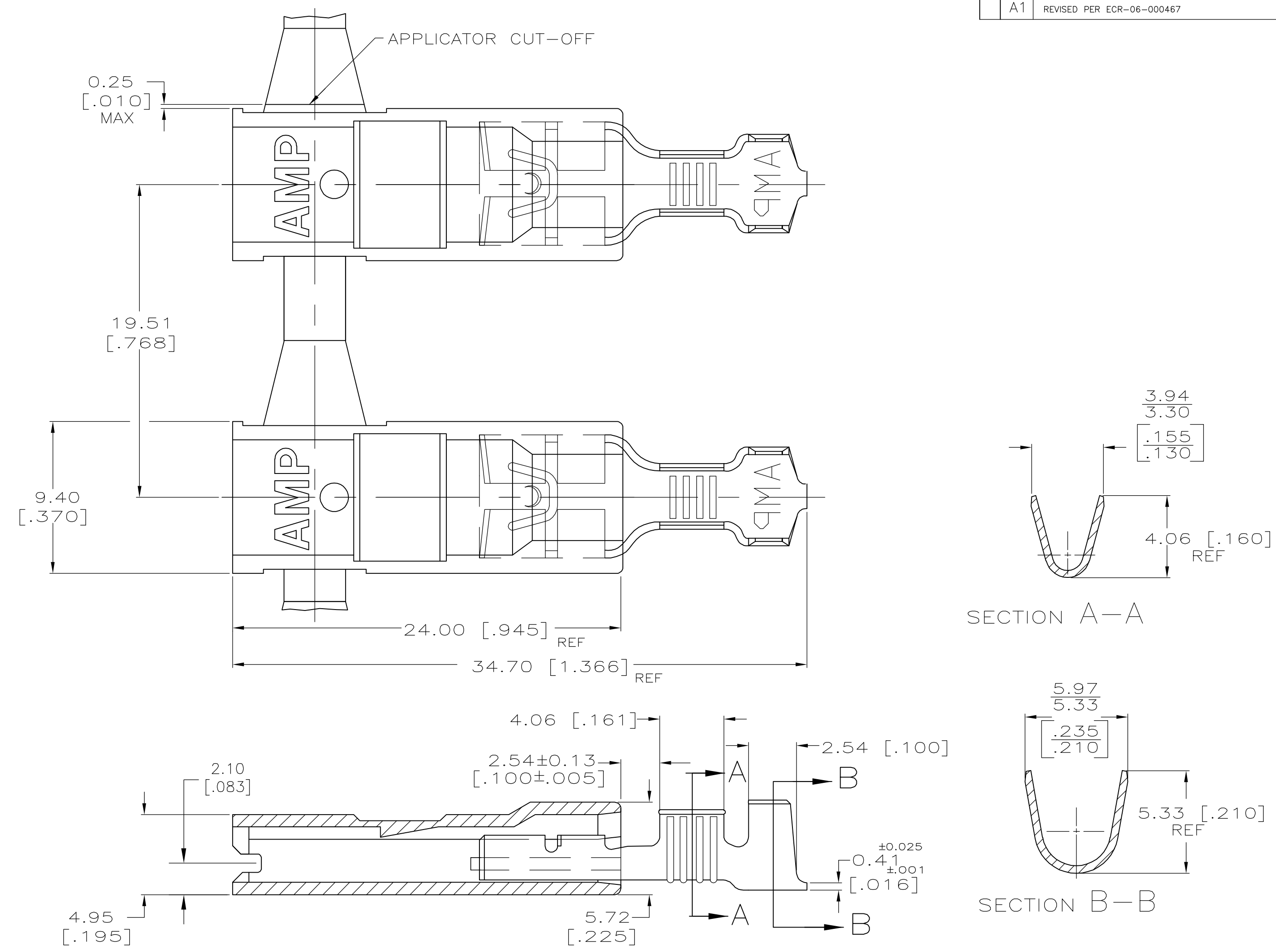


LOC	DIST	REVISIONS					
AF	50	P	LTR	DESCRIPTION	DATE	DWN	APVD
		A1		REVISED PER ECR-06-000467	23MAY06	HMR	GP



1 LOW-INSERTION FASTON TERMINALS, BASE P/N 63957, ARE USED IN THIS PRODUCT.

2 TIN PLATE PER .002032 [.000080] MIN PER MIL-T-10727.

TIN PLATE	2.79-4.32 [.110-.170] DIA	0.8-2.0 mm <sup>2</sup> [18-14]	0.813 [.032]	521114-1
TERMINAL FINISH	INSULATION RANGE	WIRE SIZE	MATING TAB THK ±0.025 [±.001]	PART NO
THIS DRAWING IS A CONTROLLED DOCUMENT.		DWN JR RUTH 3/21/97	Tyco Electronics Corporation Harrisburg, PA 17105-3608	
DIMENSIONS: mm [INCHES]		CHK MS FEHER 3/21/97		
TOLERANCES UNLESS OTHERWISE SPECIFIED:		APVD J WORMAN 3/21/97	NAME	
0 PLC ± -	1 PLC ± -	PRODUCT SPEC	ASSEMBLY, ULTRA-POD, RECEPTACLE, 6.35 [.250] SERIES	
2 PLC ± -	3 PLC ± 0.25 [.010]	APPLICATION SPEC	108-1285	
4 PLC ± -	ANGLES ± -	114-2124	SIZE CAGE CODE DRAWING NO RESTRICTED TO	
MATERIAL	FINISH	WEIGHT	A2 00779 C-521114	
HOUSING - 6/6 NYLON TERMINAL - 4M HARD BRASS	HOUSING - NATURAL TERMINAL - SEE TABLE	CUSTOMER DRAWING	SCALE 5:1	SHEET 1 of 1 REV A1