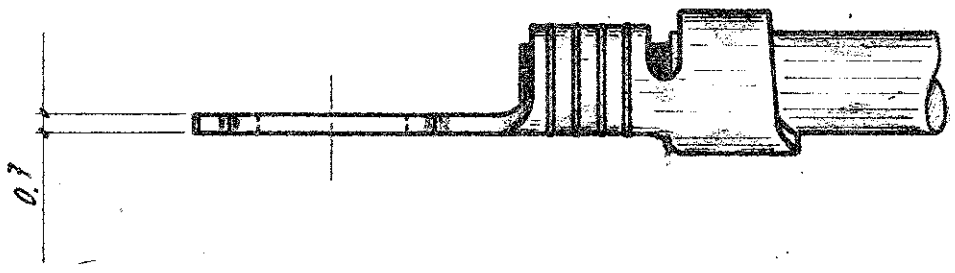
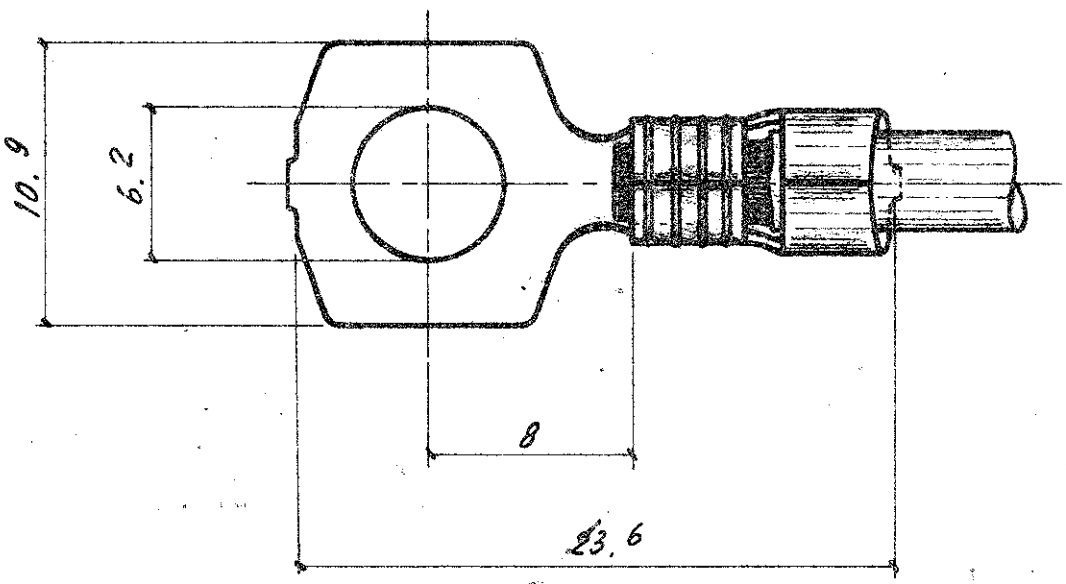


NUMBER

C - 280200



DIMENSIONS IN mm/INCH DO NOT SCALE PRINT

OBSOLETE

H Revised E100-0067-01 G.S. 09/03/01					© 1970 BY AMP INCORPORATED. ALL RIGHTS RESERVED. AMP PRODUCTS COVERED BY PATENTS AND/OR PATENTS PENDING.		CUSTOMER COPY REFERENCE ONLY	
C <i>C. Natta</i> PN280200-1 OBSOLETE FOR EC ETCC-106-86 A.F. <i>A</i> 05 MAR 86					MATERIAL AND FINISH		AMP AMP - ITALIA CORSO PESCHIERA 299/8 TORINO - ITALIA	
B TERMINALE IN PRODUZIONE <i>Natta</i> 01.71					OTTONE		CLASS	
A P/11 ERA 1A-70-5071 T.C. JUNE 1970					WIRE — RANGE — INSULATION		TYPE	
LTR REVISION RECORD DR CHK DATE					4 = 6 m/m ² 3,8 = 5,3 DIA.		—	
DR <i>Natta</i> 7 16 APRIL 70					TOLERANCE EXCEPT AS NOTED		SCALE	
CHK <i>Lucchini</i> APRIL 70					± 0,4 - 10 0'		LOC NO	
					NAME		I A C-280200	
					SQUARE TONGUE WITH INS. SUPPORT.		REV H	