

THIS DRAWING IS UNPUBLISHED.

RELEASED FOR PUBLICATION

ALL RIGHTS RESERVED.

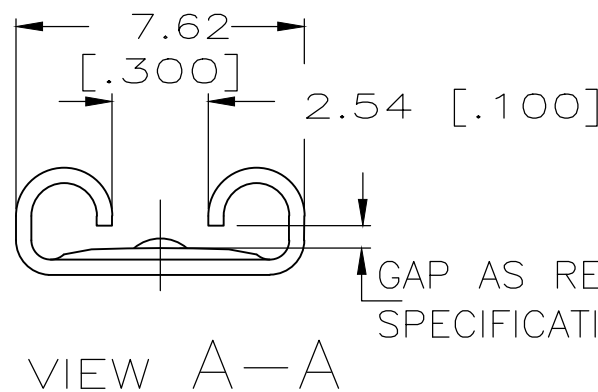
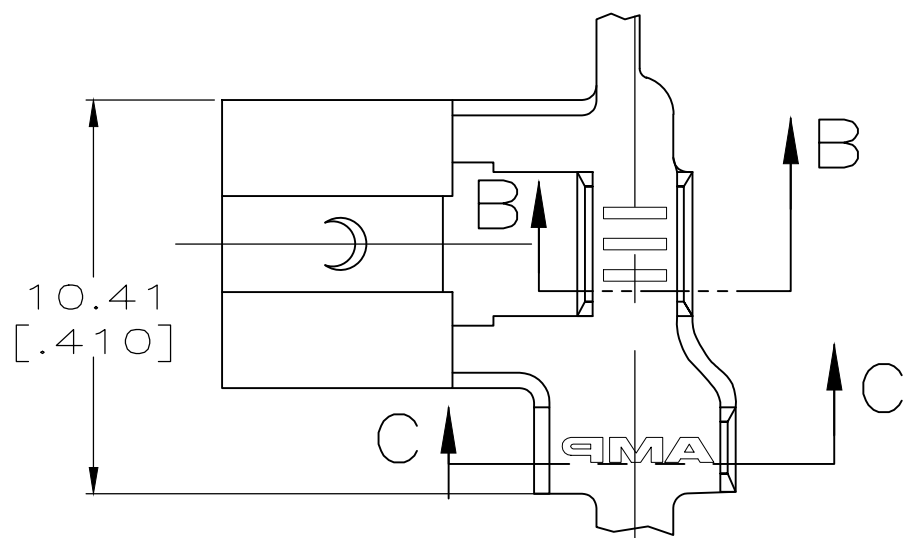
© COPYRIGHT - By -

LOC AF DIST 50

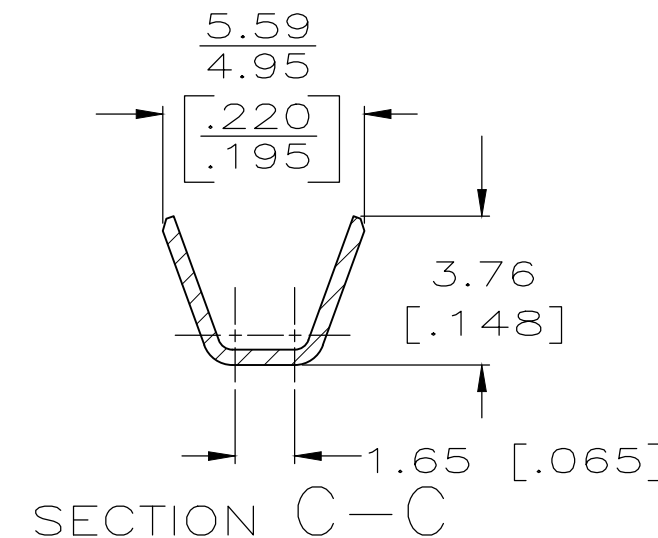
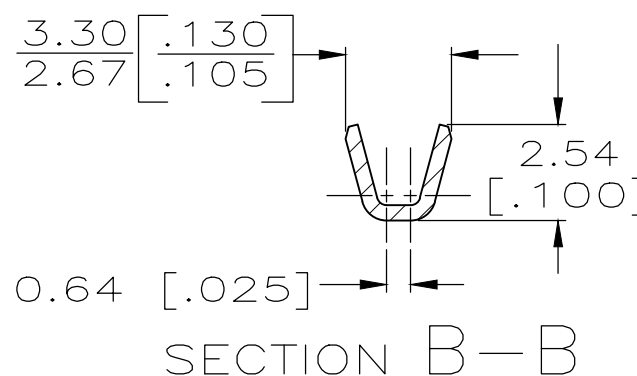
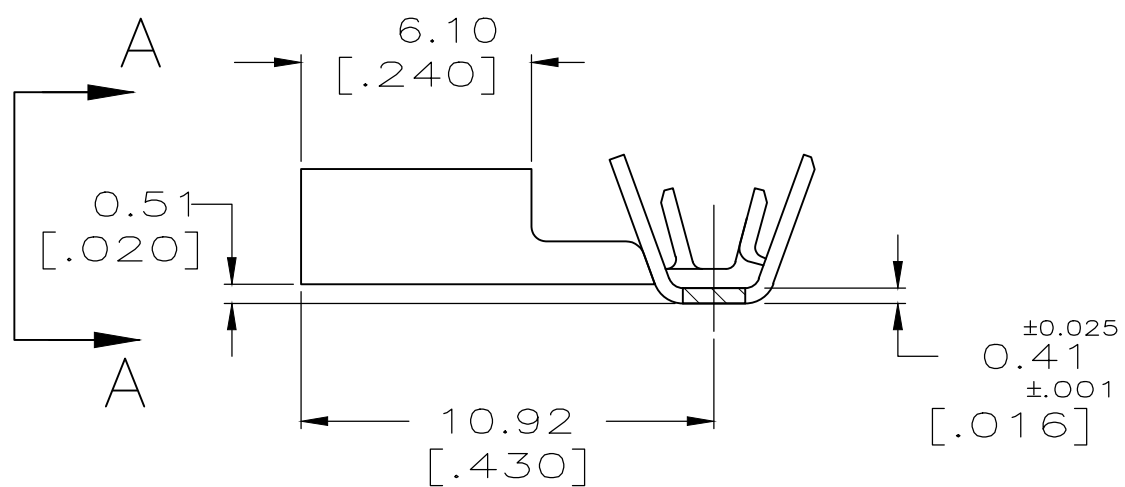
REVISIONS

P	LTR	DESCRIPTION	DATE	DWN	APVD
	D2	REVISED PER ECR-20-009164	28JUL2020	MK	DH

- 1 CONTINUOUS STRIP ON REELS.
- 2 WIRE SIZE 0.3-0.9mm² [22-18] AWG
- 3 INSULATION RANGE IS 1.52-2.54 [.060-.100] DIA.
- 4 MATING TAB THK IS 0.84-0.76 [.033-.030]



GAP AS REQUIRED TO MEET FORCE SPECIFICATIONS AND 0.71 [.028] MAX



NICKEL	CR STEEL	62813-3
TIN	BRASS	62813-2
-	BRASS	62813-1
FINISH	FINISH	PART NO.

THIS DRAWING IS A CONTROLLED DOCUMENT.		DWN JR RUTH 4/8/91	TE Connectivity NAME RECEPTACLE, FASTON, FLAG, 6.35 [.250] SERIES					
DIMENSIONS: mm [INCHES]		CHK MS FEHER 4/8/91				SIZE	CAGE CODE	DRAWING NO
TOLERANCES UNLESS OTHERWISE SPECIFIED:		APVD R KUZO 4/8/91				A3	00779	C-62813
0 PLC ± - 1 PLC ± - 2 PLC ± - 3 PLC ± 0.38 [.015] 4 PLC ± - ANGLES ± -		PRODUCT SPEC -				RESTRICTED TO	-	
MATERIAL SEE TABLE		FINISH SEE TABLE	WEIGHT -		CUSTOMER DRAWING			
			SCALE	SHEET	REV			
			5:1	1 OF 1	D2			