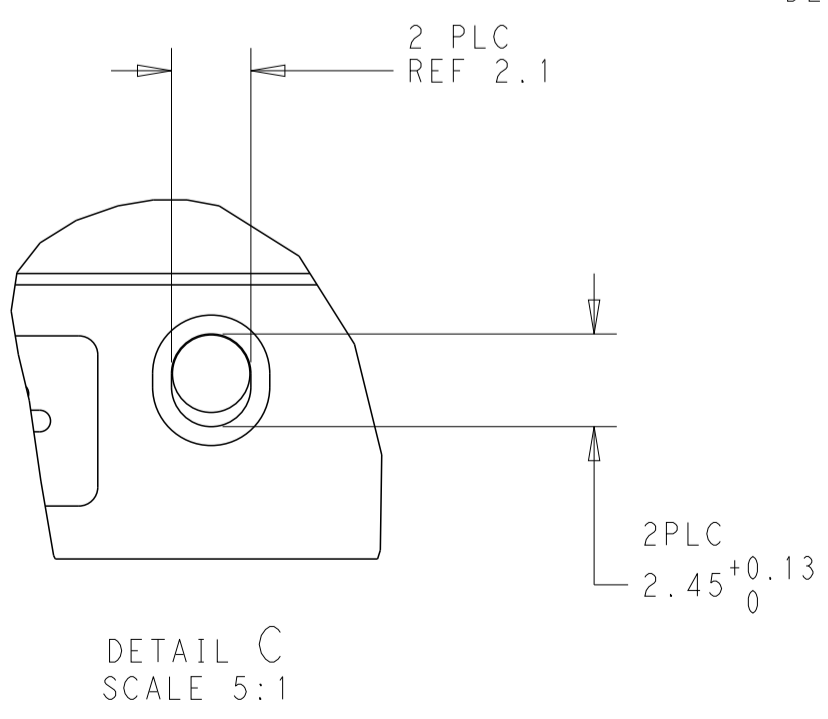
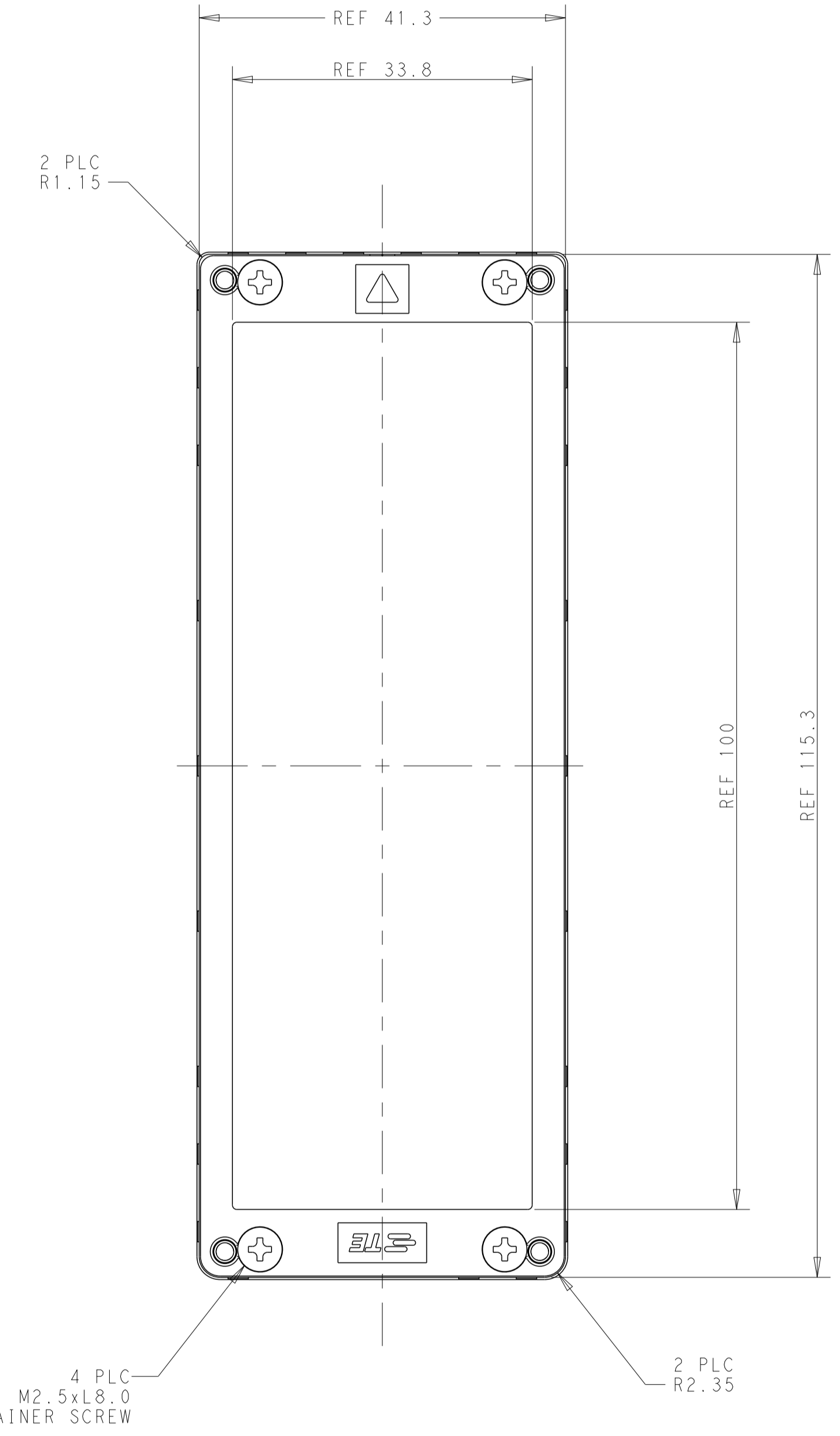
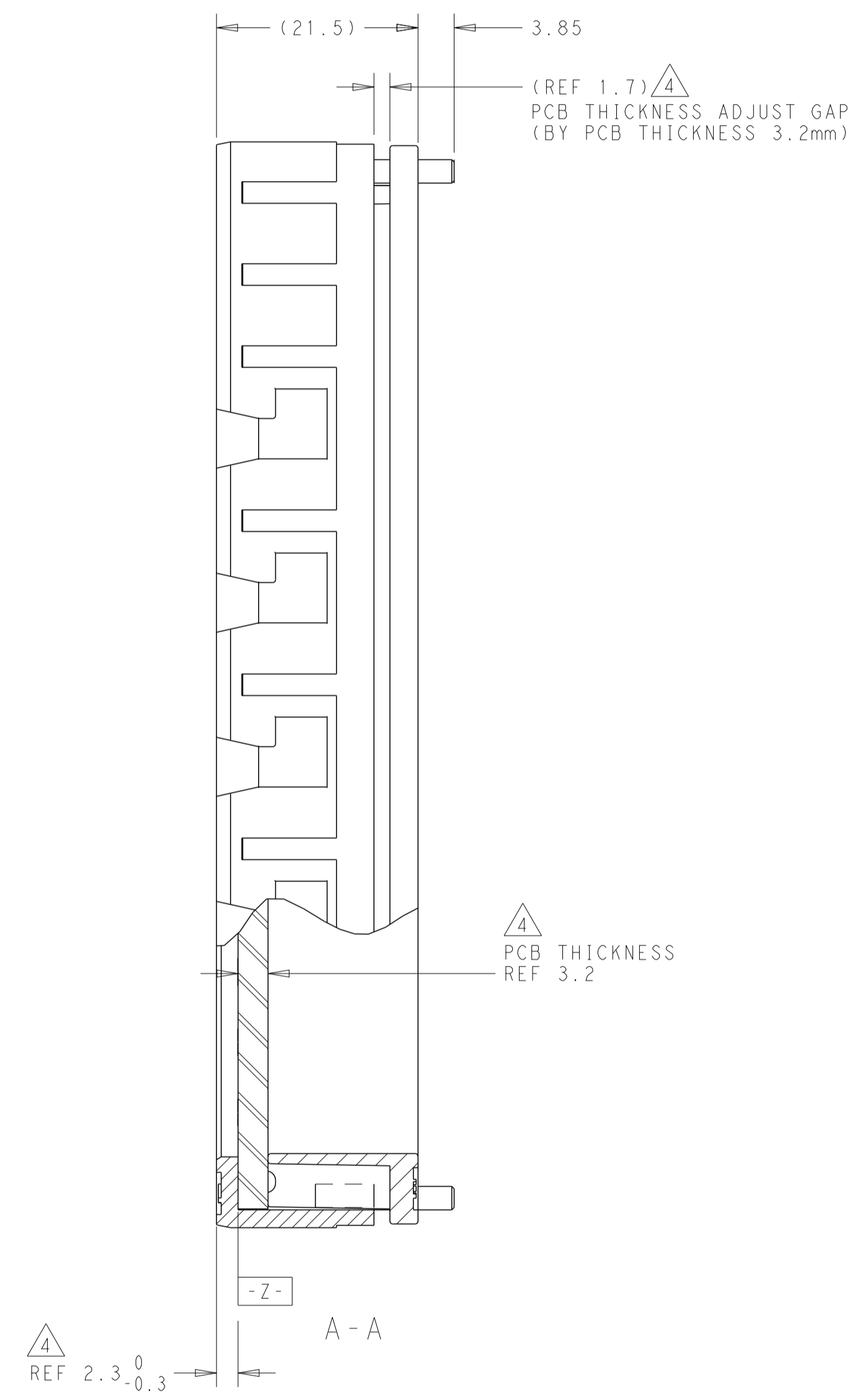
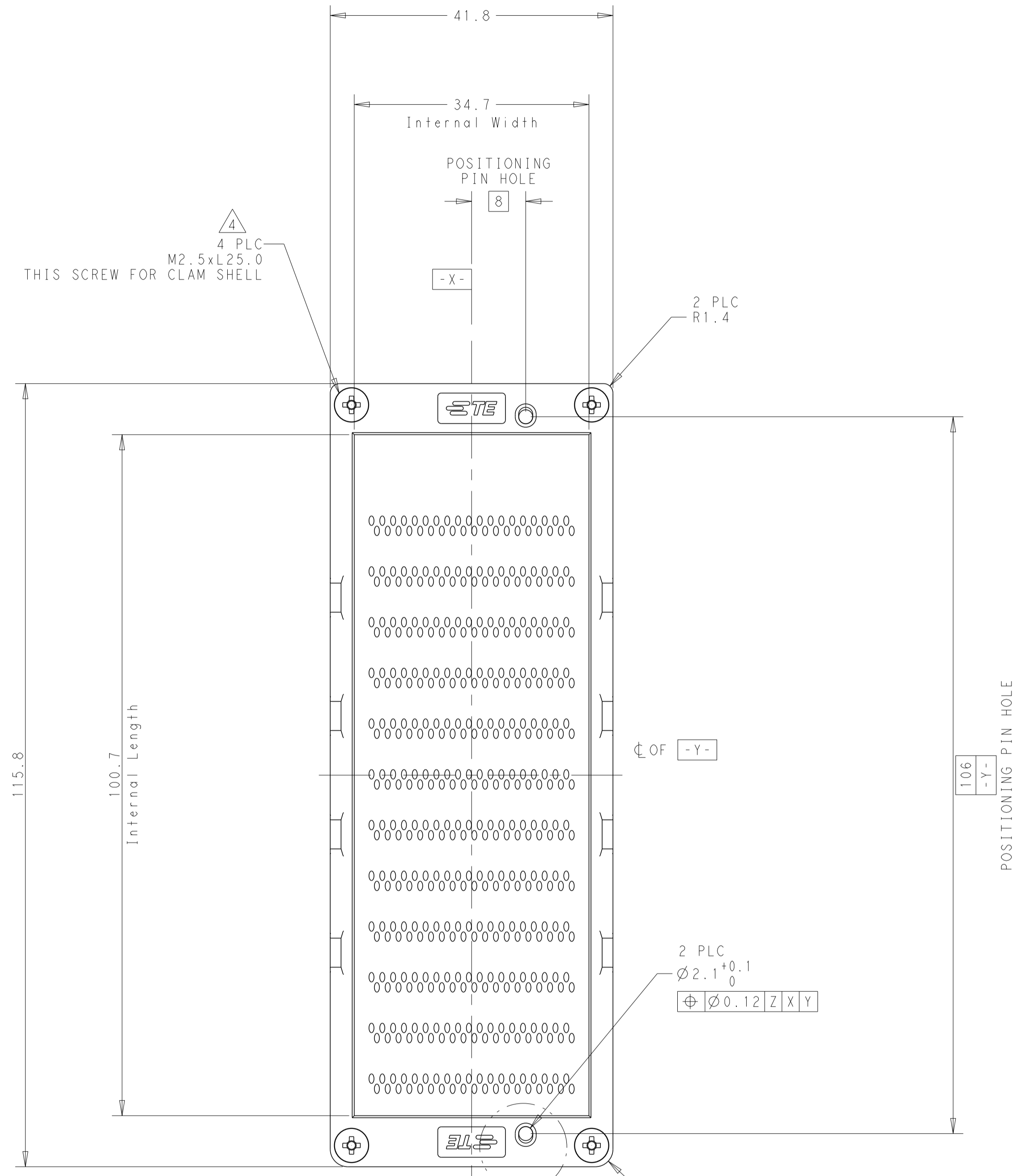


CONFIDENTIAL

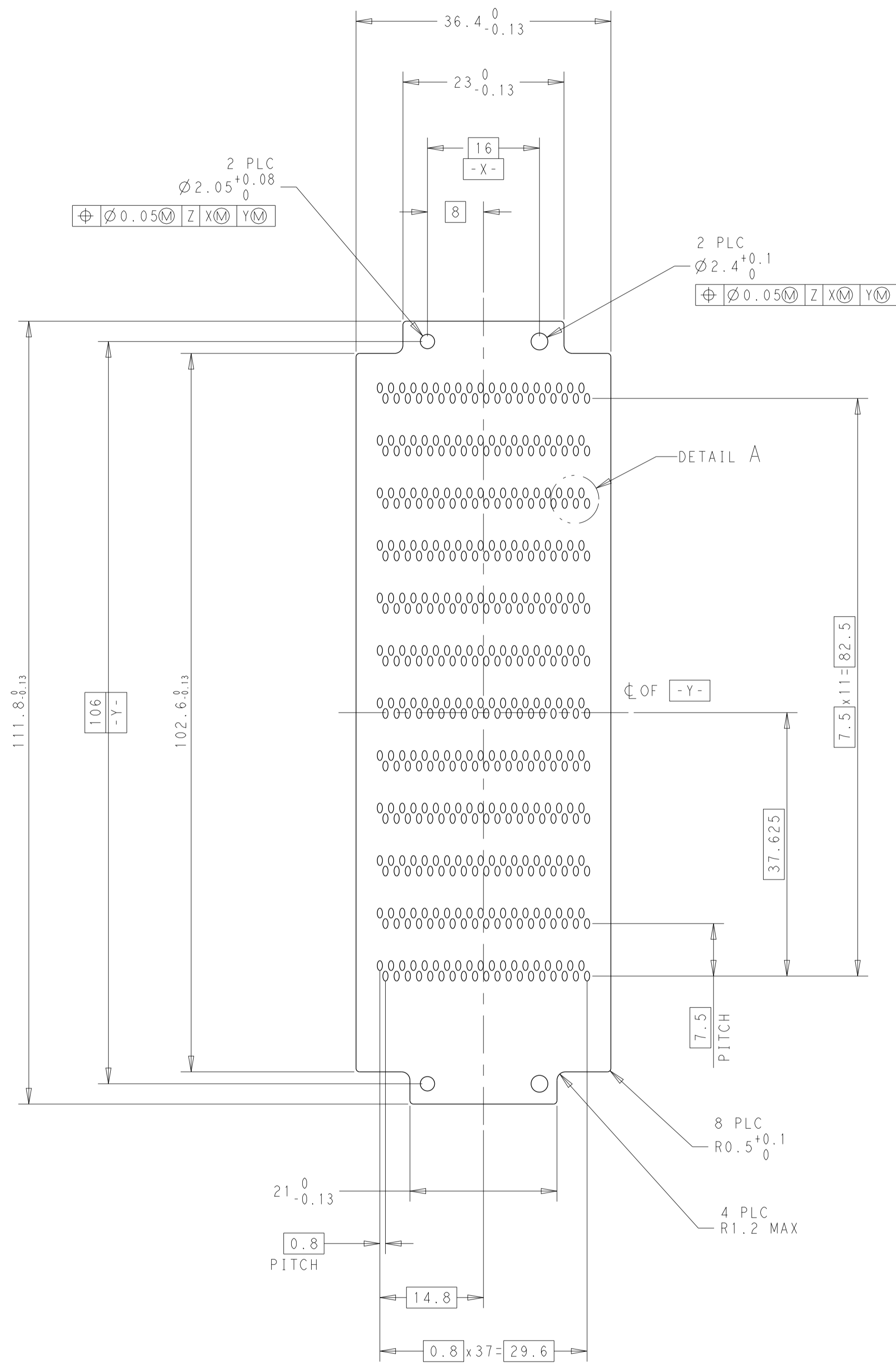
REVISIONS				
REV	DESCRIPTION	DATE	OWN	APVD
E	REVISED	09OCT2015	Y.S	M.K
F	REVISED	29OCT2015	Y.S	M.K
G	REVISED	14DEC2015	Y.S	M.K
H	REVISED	24DEC2015	Y.S	M.K



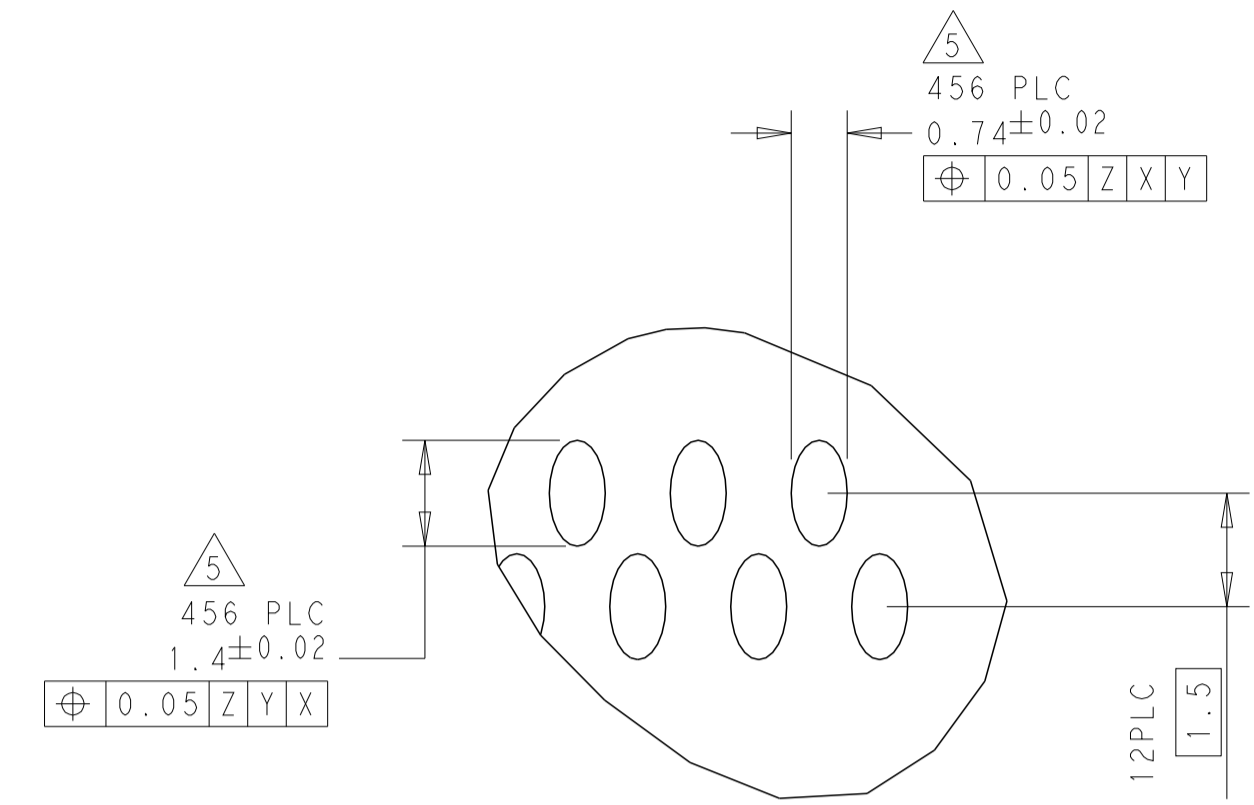
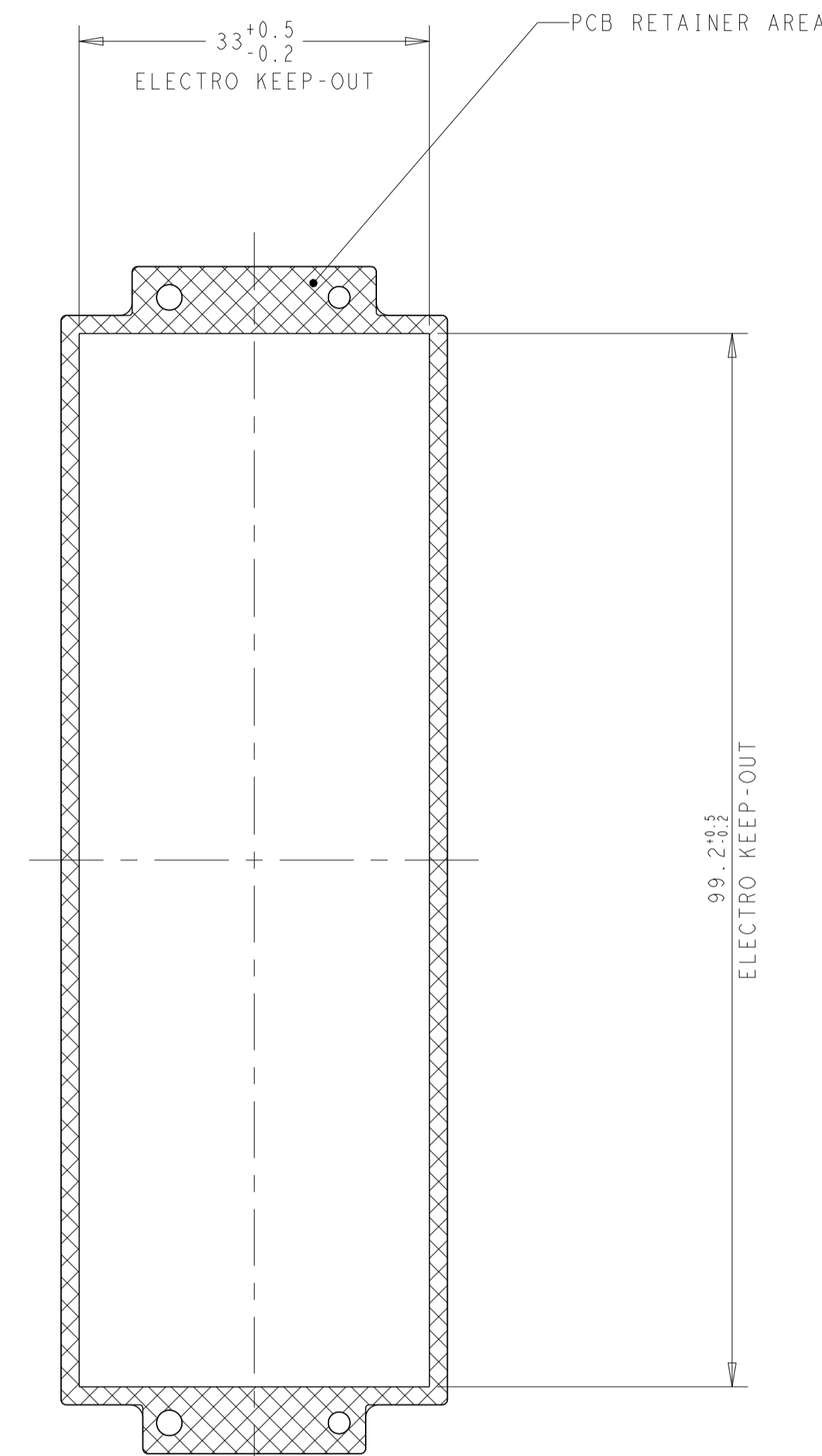
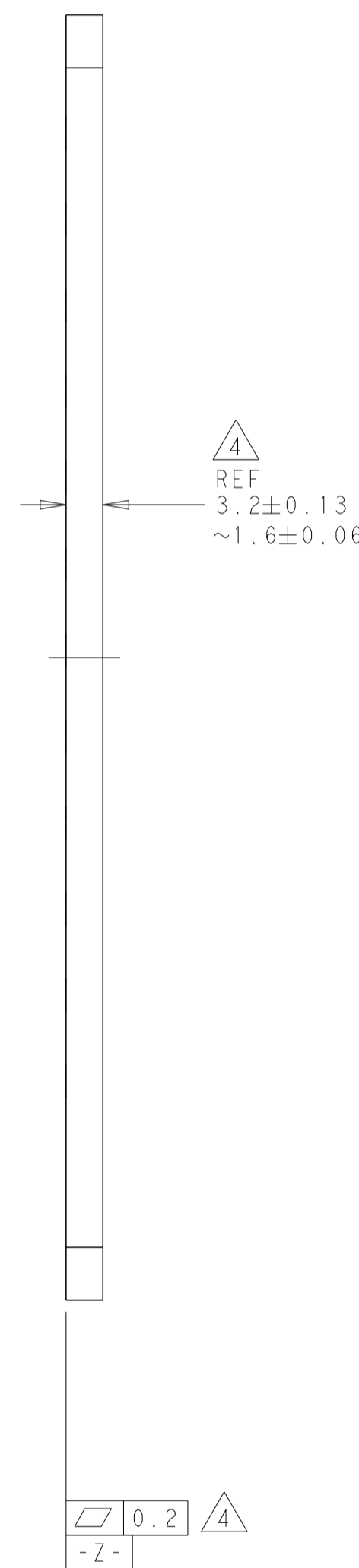
THIS DRAWING IS A CONTROLLED DOCUMENT.		OWN: Y. SASAKI 11MAR2014	TE Connectivity
DIMENSIONS: mm		CHK: M. KIMURA 11MAR2014	
TOLERANCES UNLESS OTHERWISE SPECIFIED:		APVD: M. KIMURA 11MAR2014	PLUG CONNECTOR 456P PLUG CONNECTOR KIT BEEHIVE I/O CONNECTOR SERIES
0-PLC ±0.3		NAME: M. KIMURA	
1-PLC ±0.5		PRODUCT SPEC: 108-140047	
2-PLC ±0.13		APPLICATION SPEC: 114-5518	
3-PLC ±0.03		SIZE: A1	RESTRICTED TO
4-PLC ±0.001		WEIGHT: 100 G	
ANGLES: ±0.5		CAGE CODE: -	SHEET 1 OF 4
FINISH: SEE SHEET 3 TABLE		DRAWING NO: C=2822672	
MATERIAL: SEE SHEET 3 TABLE		CUSTOMER DRAWING	REV H

CONFIDENTIAL

REVISIONS				
REV	DATE	BY	CHK	APPV
-	SEE SHEET 1	-	-	-



CONTACT MATING SIDE $\triangle 3$



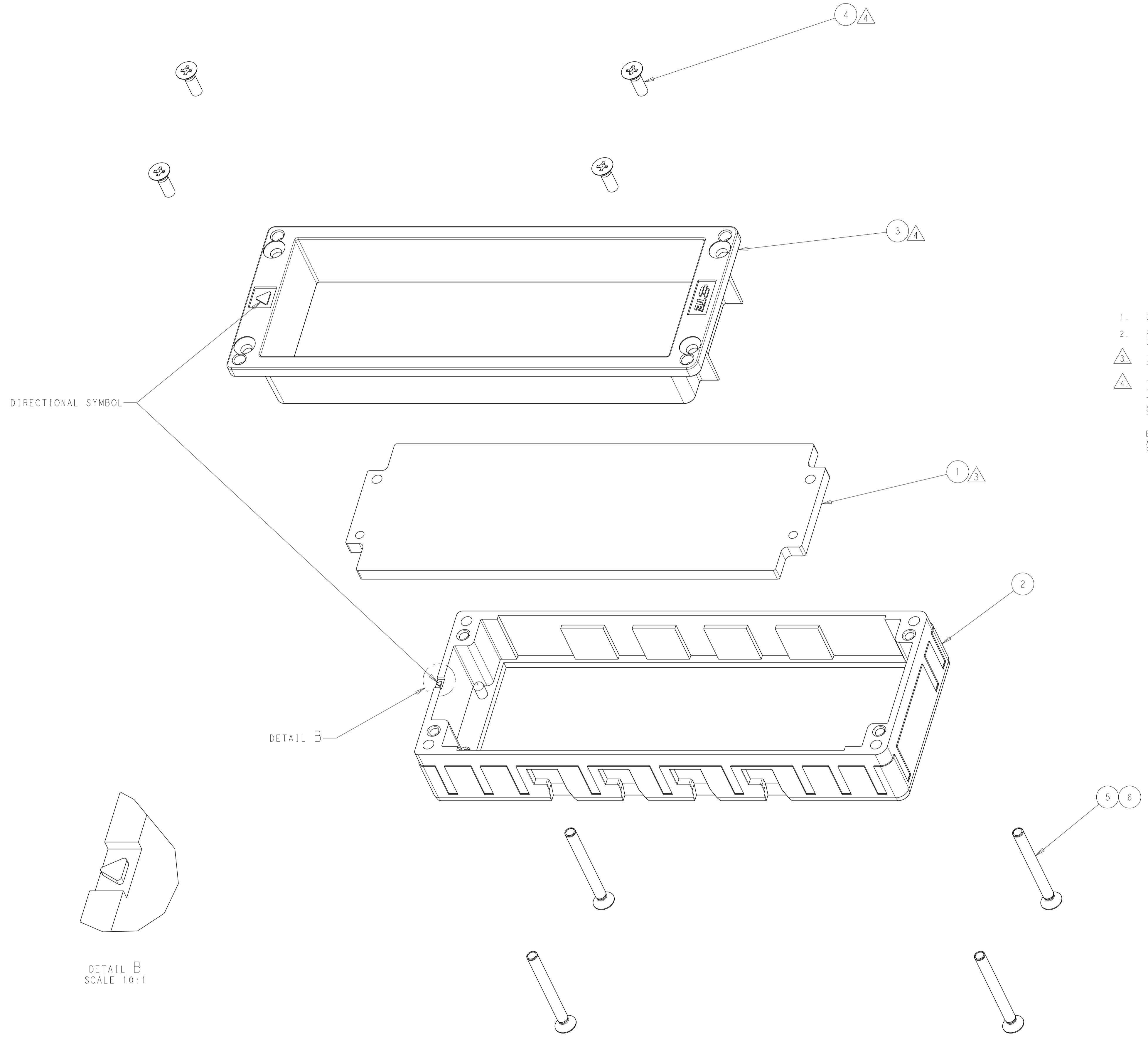
DETAIL A $\triangle 3$ $\triangle 5$
SCALE 10:1

$\triangle 5$ CONTACT PAD FINISH RECOMMENDATION
(PLATING RECOMMENDATION)
Ni UNDER :
0.002mm MIN ALL OVER.(112-25-2)
HARD Au FINISH :
0.0005mm MIN POROSITY SEALING (112-165-3)

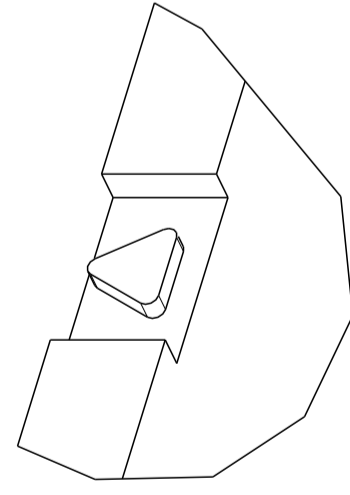
THIS DRAWING IS A CONTROLLED DOCUMENT.		OWN: Y. SASAKI 11MAR2014	 TE Connectivity
DIMENSIONS: mm		CHK: M. KIMURA 11MAR2014	
TOLERANCES UNLESS OTHERWISE SPECIFIED:		APVD: M. KIMURA 11MAR2014	PLUG CONNECTOR 456P PLUG CONNECTOR KIT BEEHIVE I/O CONNECTOR SERIES
0-PLC ±0.3		NAME: SPC	
1-PLC ±0.5		PRODUCT SPEC: 108-140047	
2-PLC ±0.13		APPLICATION SPEC: 114-5518	
3-PLC ±0.001		WEIGHT: 100 G	SIZE: A1 CAGE CODE: - DRAWING NO: C=2822672 CUSTOMER DRAWING
4-PLC ±0.001		RESTRICTED TO: -	
ANGLES: ±0.5		SCALE: 2:1	SHEET 2 OF 4 REV H
FINISH: SEE SHEET 3 TABLE			

CONFIDENTIAL

REVISIONS				
REV	DATE	BY	CHK	APPV
-	SEE SHEET 1	-	-	-



1. USED MATERIAL AND FINISH ARE ON THE TABLE OF SHEET 3.
 2. FABRICATE PER ANSI / IPC-6011/6012 CLASS 3, UNLESS OTHERWISE SPECIFIED.
 3. ITEM NO. 1 IS CUSTOMER OWN COMPONENT. THIS PCB OR PCB ASSEMBLY SHOULD MEET TO TE RECOMMENDATION FOR CONTACT PCB.
 4. THIS CONNECTOR IS DESIGNED FOR THE THICKNESS OF PCB (ITEM_1) TO USE THICKNESS 1.6mm TO 3.2mm OF PCB AND THE TOLERANCE WITHIN 10%. RANGE OF PCB THICKNESS. TIGHTENING TORQUE SHOULD BE TIGHTEN ACCORDING TO THE CONDITION OF THE USING PCB. SHOULD NOT MAKE RETAINER(2822674-1) TRANSFORMED AND PCB (ITEM_1) DAMAGE TO TIGHTEN UP. THE RETAINER TIGHTENING NOMINAL RECOMMENDED REFERENCE TORQUE 18.0cN·m
- BY 2822672-3 :
 A SCREW IS NOT ATTACHED TO 2822672-3. PLEASE USE M2.5 FLAT HEAD SCREW. PLEASE TIGHTEN UP AND APPLY 0.5T OF STANDARD SPECIFICATION TO THE TORQUE.



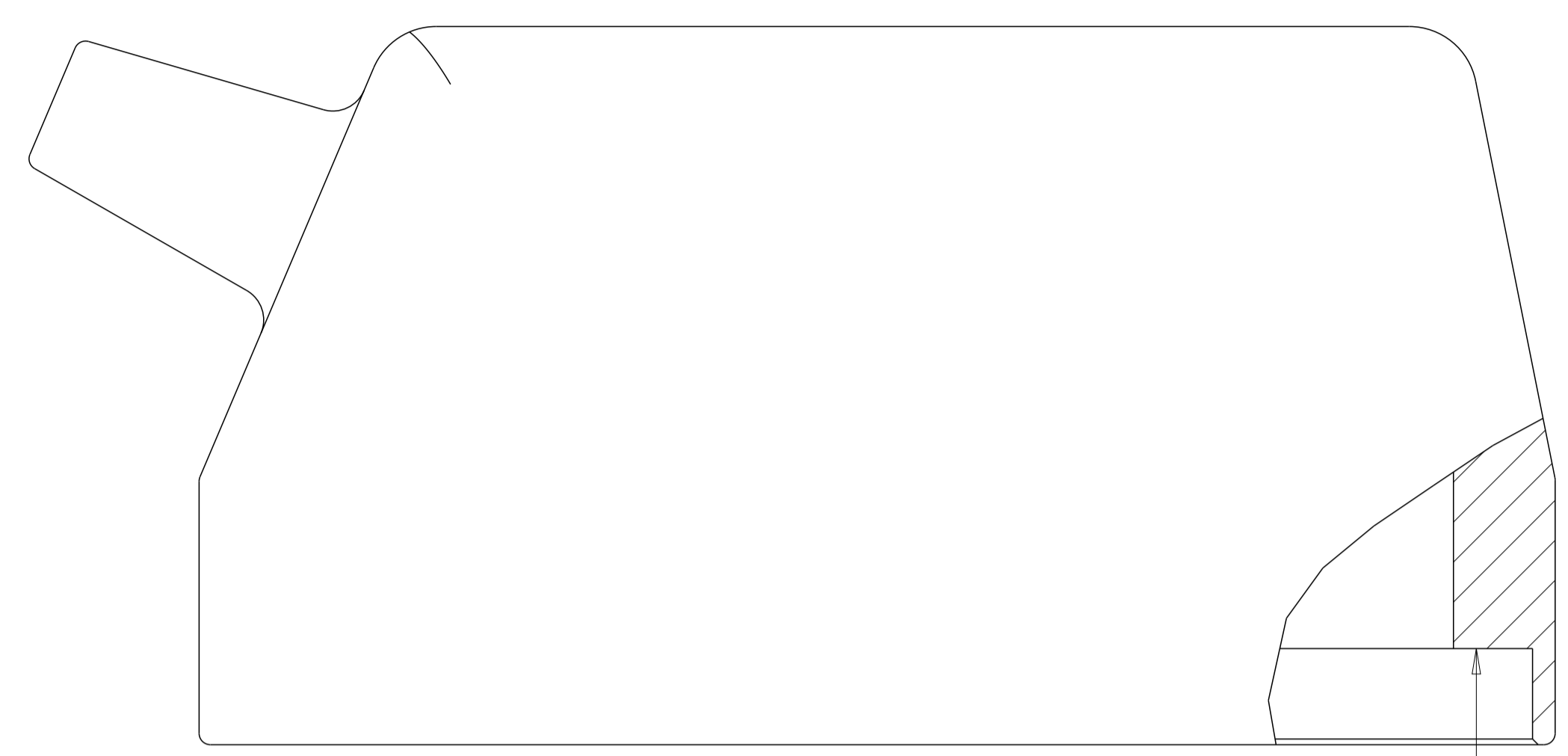
DETAIL B
SCALE 10:1

QTY	MATERIAL	NAME	ITEM NO
- 4	SUS / Alok	M2.5x30 FLAT HEAD SCREW WITH ALOK	6
- - 4	SUS / Alok	M2.5x25 FLAT HEAD SCREW WITH ALOK	5
- 4 4	SUS / Alok	M2.5x8 FLAT HEAD SCREW WITH ALOK	4
1 1 1	Al ALLOY DIE-CAST FINISH : Ni PLATING	PCB RETAINER	3
1 1 1	Zn ALLOY DIE-CAST FINISH : Ni PLATING	PLUG FRAME	2
- - -	-	CONTACT PCB CUSTOMER OWN	1

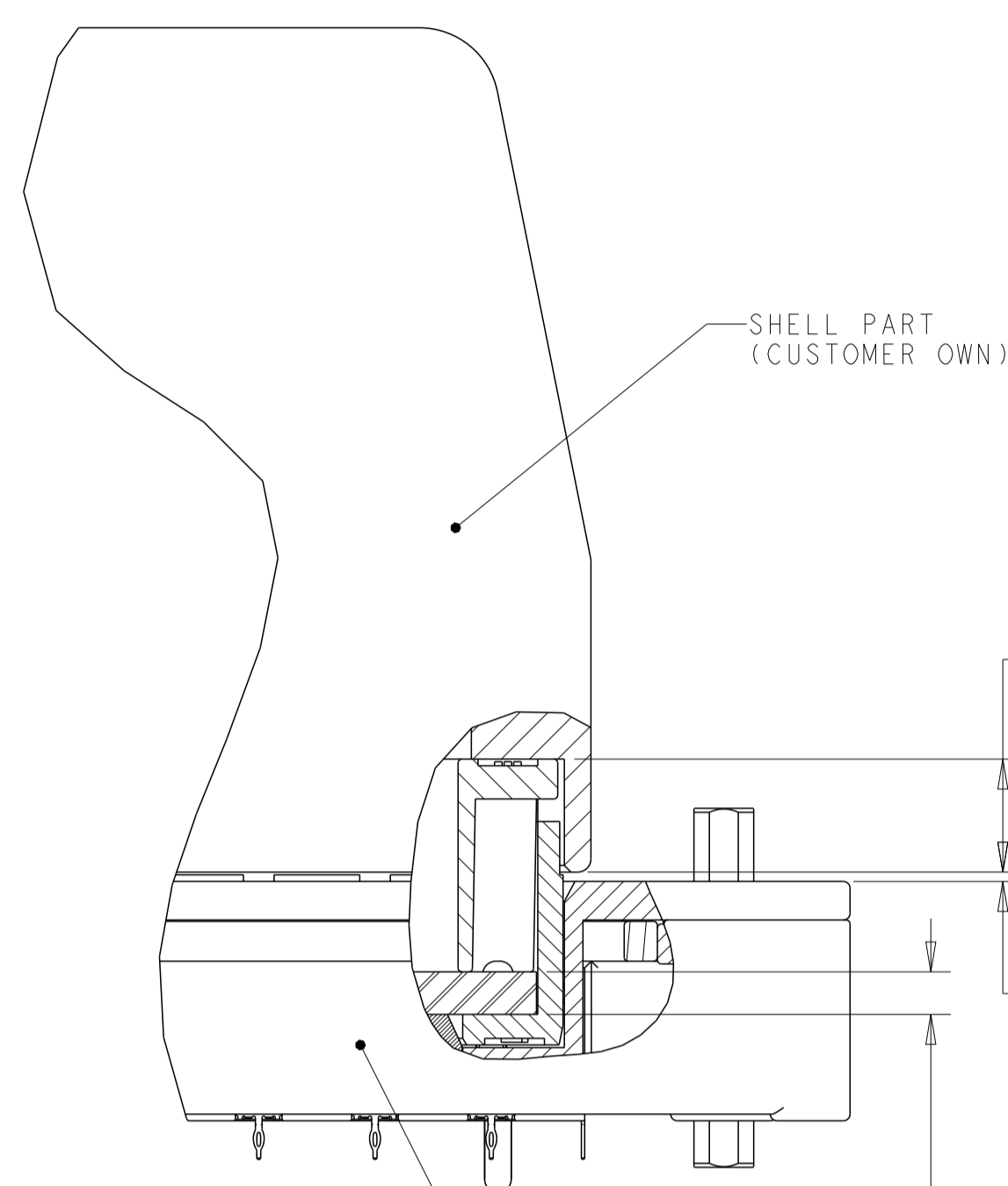
THIS DRAWING IS A CONTROLLED DOCUMENT.

DIMENSIONS: mm	TOLERANCES UNLESS OTHERWISE SPECIFIED: mm	OWN Y. SASAKI 11MAR2014	CHK M. KIMURA 11MAR2014	APVD M. KIMURA 11MAR2014	NAME SPR
0-PLC ±0.3	1-PLC ±0.5	TE Connectivity PLUG CONNECTOR 456P PLUG CONNECTOR KIT BEEHIVE I/O CONNECTOR SERIES			
2-PLC ±0.13	3-PLC ±0.13				
4-PLC ±0.004	ANGLES ±0.5				
FINISH	PL				
MATERIAL SEE SHEET 3 TABLE	FINISH SEE SHEET 3 TABLE	WEIGHT 100 G	SIZE A1	CAGE CODE -	DRAWING NO C=2822672
CUSTOMER DRAWING		SCALE 2:1	SHEET 3	OF 4	REV H

REVISIONS				
P.	LTN.	DESCRIPTION	DATE	APVD.
-	-	SEE SHEET 1	-	-

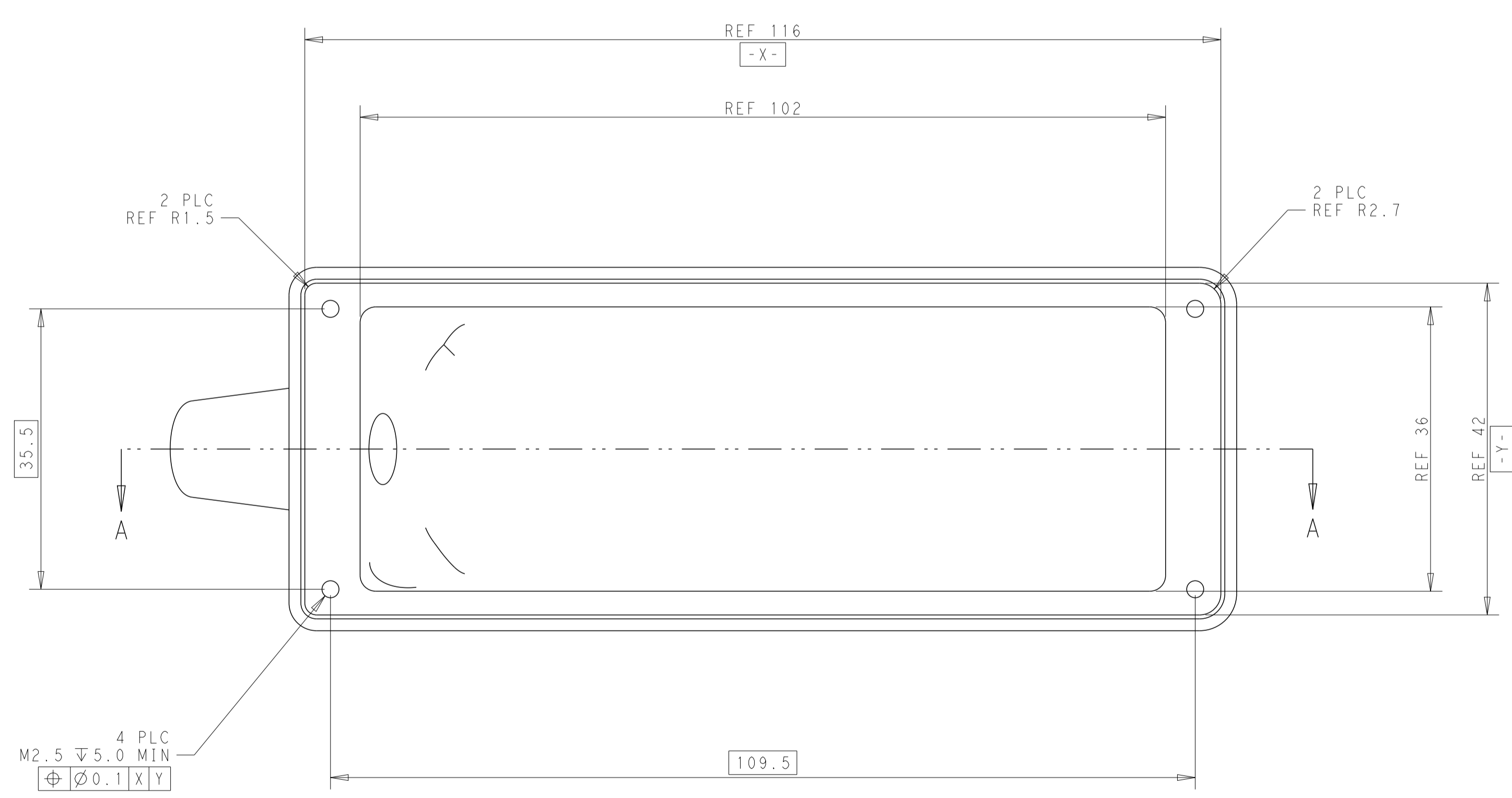


0.1
 PLEASE MEET TO 2822674-1
 RETAINER SURFACE IN THIS SURFACE.

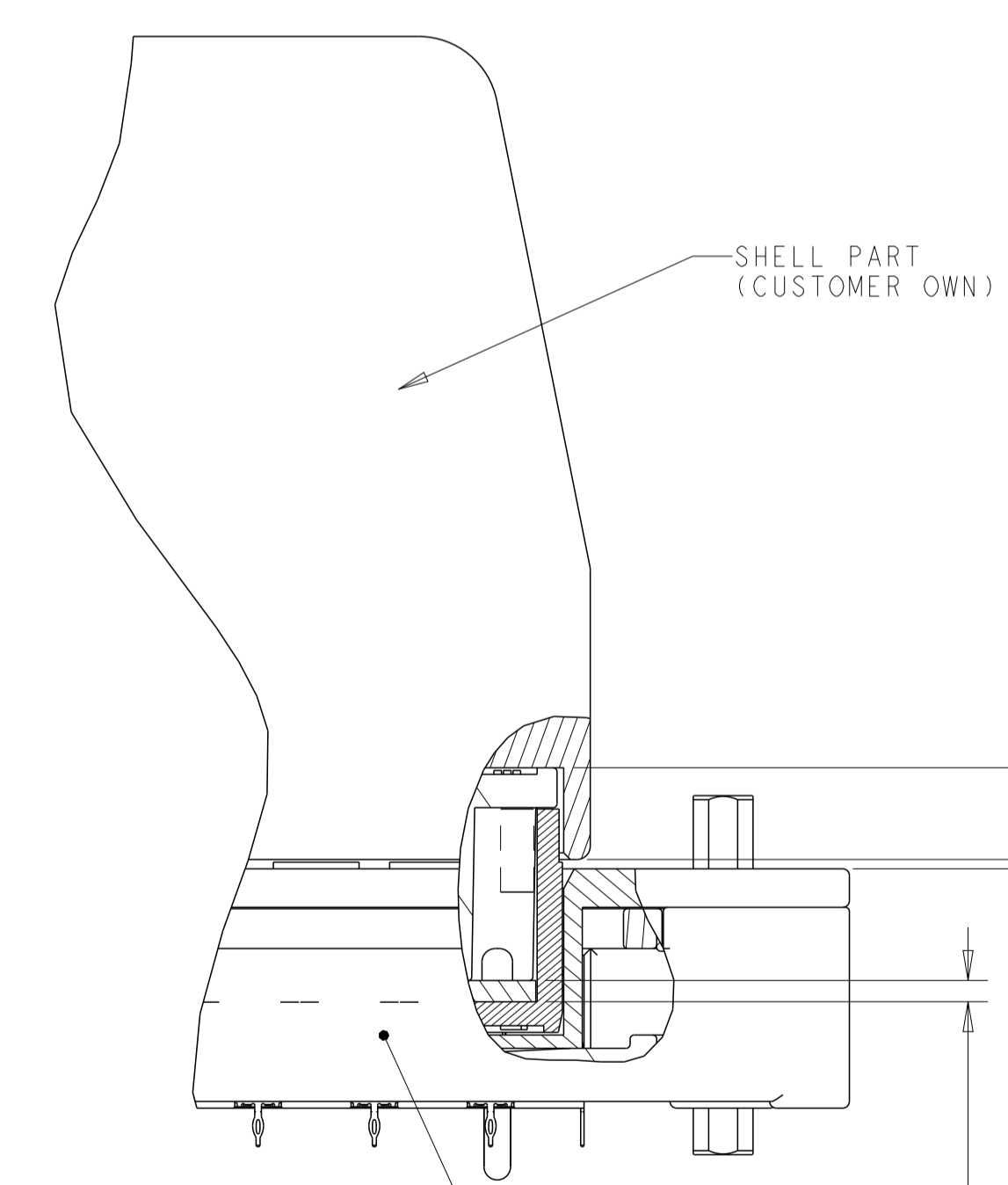


SHELL PART
 (CUSTOMER OWN)
 REF
 AROUND 8.5 MAX
 (BY PCB THICKNESS 3.2mm)
 (0.7) CLEARANCE
 PLEASE CHANGE A DESIGN OF POD
 DEPENDING ON THE THICKNESS OF THE PANEL
 IF YOU ATTACHE A PANEL BETWEEN
 RECEPTACLE CONNECTOR AND SHELL.
 3.2 PCB THICKNESS

P/N: 2822650-1
 MP456P HD I/O RECEPTACLE CONNECTOR



CLAM SHELL ATTACHMENT AREA REFERENCE DIMENSION



SHELL PART
 (CUSTOMER OWN)
 REF
 AROUND 6.9 MAX
 (BY PCB THICKNESS 1.6mm)
 (0.7) CLEARANCE
 PLEASE CHANGE A DESIGN OF POD
 DEPENDING ON THE THICKNESS OF THE PANEL
 IF YOU ATTACHE A PANEL BETWEEN
 RECEPTACLE CONNECTOR AND SHELL.
 1.6 PCB THICKNESS

P/N: 2822650-1
 MP456P HD I/O RECEPTACLE CONNECTOR

THIS DRAWING IS A CONTROLLED DOCUMENT.		OWN Y. SASAKI 11MAR2014	TE Connectivity
DIMENSIONS: mm		CHK M. KIMURA 11MAR2014	
TOLERANCES UNLESS OTHERWISE SPECIFIED:		APVD M. KIMURA 11MAR2014	NAME PLUG CONNECTOR 456P PLUG CONNECTOR KIT BEEHIVE I/O CONNECTOR SERIES
0-PLC	±0.3	PRODUCT SPEC	108-140047
1-PLC	±0.1	APPLICATION SPEC	114-5518
2-PLC	±0.01	WEIGHT	100 G
3-PLC	±0.001	SIZE	A1
4-PLC	±0.0001	SCALE	2:1
ANGLES	±0.5	SHEET	4 OF 4
MATERIAL		CUSTOMER DRAWING	REV H