

Ultra Small Surface Mount Coaxial Connectors - 1.9mm or 2.3mm, 2.4mm Mated Height

U.FL Series



Up to 6GHz

Mated height comparison (with E.FL series)

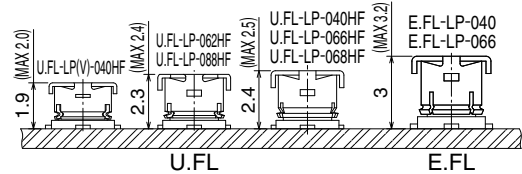


Fig.1

■ Features

1. **Nominal mated height of 1.9 or 2.3mm, 2.4mm (Max. 2.0 or 2.4mm, 2.5mm)(Fig.1)**
2. **Small mounting area**
The receptacle occupies an area of 7.7mm².
3. **Light weight**
Receptacle : 15.7mg
4. **Supports high frequency up to 6GHz**
To meet the frequency requirements of a wide variety of miniature devices, the connectors offer high frequency performance from DC to 6GHz, with a V.S.W.R. of 1.3 to 1.5 max.
5. **Automatic board placement**
Packaged on tape-and-reel the receptacles can be placed with vacuum nozzles of the automatic placement equipment.
6. **Plugs are terminated with ultra-fine coaxial (fluorinated resin insulated) cable**
Standard ultra-fine coaxial cable of 0.81mm diameter (single braid shielding) is used for the plug termination, assuring secure and stable connections.
7. **Simple connector mating / unmating**
Use of available extraction tool assures correct disconnection of the plug and receptacle.
8. **Verification of the fully mated condition**
Tactile click sensation confirms fully mated condition, assuring complete electrical and mechanical connection.
9. **Halogen-free*(Receptacle,plug(HF type))**

*As defined by IEC61249-2-21

Br-900 ppm maximum, Cl-900 ppm maximum,
Cl+Br combined-1,500 ppm maximum

● Space Factor of Mated Connector

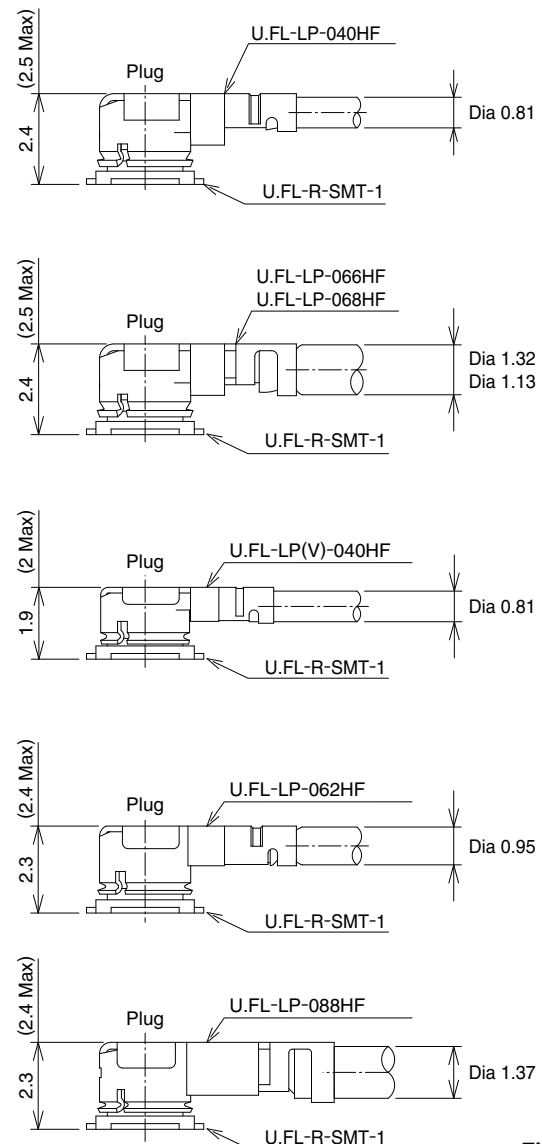


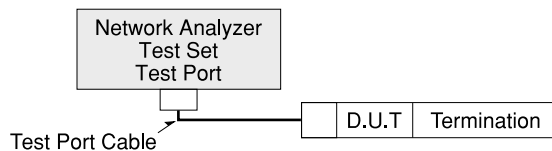
Fig.2

Product Specifications

| Ratings | Nominal characteristic impedance | 50Ω | Operating temperature range | -40°C to +90°C | Storage temperature range | -30°C to +70°C |
|---|--|------------|---|----------------|---------------------------|----------------|
| | Frequency range | DC to 6GHz | Operating humidity | 90%RH max. | Storage humidity | 90%RH max. |
| Item | Specification | | Conditions | | | |
| 1. Contact resistance | Center : 20mΩ max. Outer : 10mΩ max. | | 10mA max. | | | |
| 2. Insulation resistance | 500MΩ min. | | 100V DC | | | |
| 3. Withstanding voltage | No flashover or insulation breakdown. | | 200V AC / 1 minute | | | |
| 4. V.S.W.R.* | Part No. | | Up to 3GHz | 3 to 6GHz | | |
| | U.FL-LP-040HF dia.0.81mm Coaxial Cable Assembly | | 1.3 Max | 1.35 Max | | |
| | U.FL-LP(V)-040HF dia.0.81mm Coaxial Cable Assembly | | 1.3 Max | 1.3 Max | | |
| | U.FL-LP-068HF dia.1.13mm Coaxial Cable Assembly | | 1.3 Max | 1.4 Max | | |
| | U.FL-LP-066HF dia.1.32mm Coaxial Cable Assembly | | 1.3 Max | 1.5 Max | | |
| | U.FL-LP-062HF dia.0.95mm Coaxial Cable Assembly | | 1.3 Max | 1.3 Max | | |
| | U.FL-LP-088HF dia.1.37mm Coaxial Cable Assembly | | 1.3 Max | 1.4 Max | | |
| 5. Durability (mating / un-mating, with corresponding plug) | Contact resistance Center : 25mΩ max. Outer : 15mΩ max. | | 30 cycles | | | |
| 6. Vibration | No electrical discontinuity of 1μs min. No damage, cracks or parts dislocation. | | Frequency : 10 to 100Hz, single amplitude of 1.5mm, acceleration of 59m/s ² , for 5 cycles in the direction of each of the 3 axis. | | | |
| 7. Shock | | | Acceleration of 735m/s ² , 11ms duration, sine half-wave waveform, 3 cycles in each of 3 axes. | | | |
| 8. Humidity (Steady state) | No damage, cracks or parts dislocation. Insulation resistance 10MΩ min.(humidity high) Insulation resistance 500MΩ min.(dry) | | 96 hours at temperature of 40°C and humidity of 95%. | | | |
| 9. Temperature cycle | No damage, cracks or parts dislocation. Contact resistance : 25mΩ max. (Center) 15mΩ max. (Outer) | | Temperature : -40°C→+5 to +35°C→+90°C→+5 to +35°C Time : 30min. → 3min. → 30min. → 3min. 5 cycles | | | |
| 10. Salt spray | No excessive corrosion | | 5% salt water solution, 48 hours | | | |

*V.S.W.R. Measurement System

The above V.S.W.R. standard values were measured using the measurement connection shown below.



Note 1 : Cable type connectors were measured with SMA conversion adapters attached to both ends of the harness product of a suitable 100cm cable.

Note 2 : Board type connectors were mounted to a 50Ω glass epoxy board and measurements were conducted with SMA conversion adapters attached.

Material / Finish

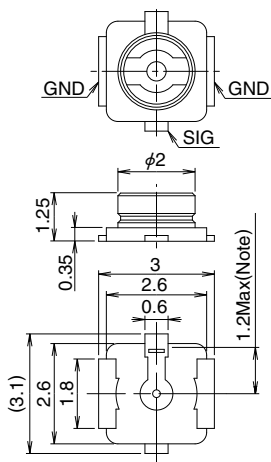
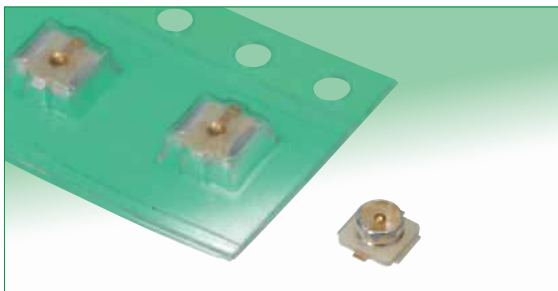
●Plug-right angle

| Part | Material | Finish/Remarks |
|-----------------------|--------------------------|---|
| Shell | Phosphor bronze | Silver plated |
| Insulator | PBT, Color : Gray | UL94HB (LP (V) -040HF) |
| | LCP, Color : Milky-white | UL94V-0(040HF,066HF, 068HF, 062HF, 088HF) |
| Female center contact | Phosphor bronze | Gold plated |

●Receptacle

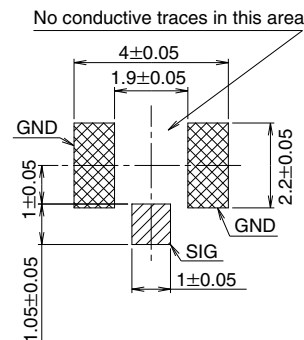
| Part | Material | Finish/Remarks |
|---------------------|--------------------------|----------------|
| Shell | Phosphor bronze | Silver plated |
| Insulator | LCP, Color : Milky-white | UL94V-0 |
| Male center contact | Brass | Gold plated |

Receptacles



U.FL-R-SMT-1

Recommended PCB Mounting Pattern

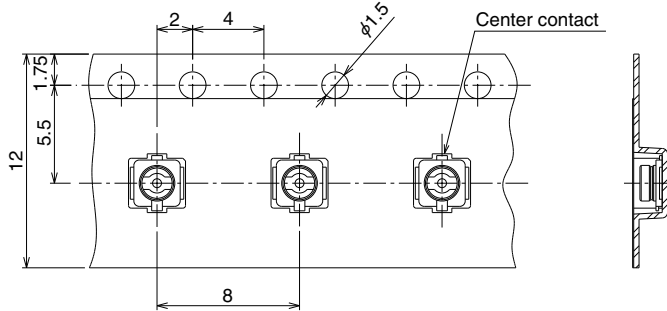


| Part No. | HRS No. | Packaging | Weight / EA |
|------------------|---------------|-----------------|-------------|
| U.FL-R-SMT-1(01) | 331-0472-2 01 | 100 pcs/pack | 15.7/mg |
| U.FL-R-SMT-1(60) | 331-0472-2 60 | 4,000 pcs/reel | |
| U.FL-R-SMT-1(80) | 331-0472-2 80 | 10,000 pcs/reel | |

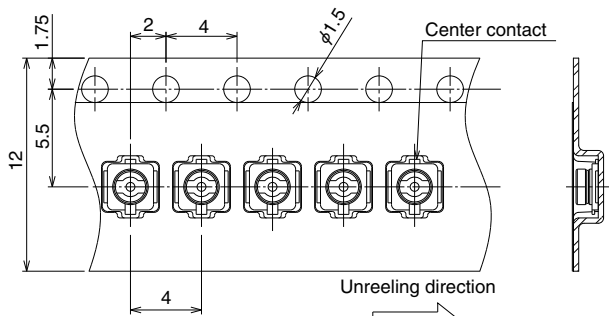
Note : This area may be covered by insulating material.

Embossed Carrier Tape Dimensions(IEC 60286-3 compliant)

Embossed Carrier Tape Dimensions

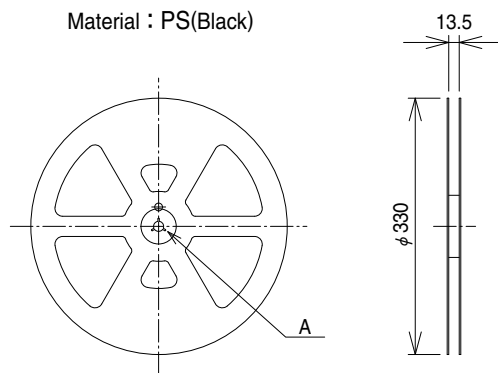


U.FL-R-SMT-1(60): 8mm pitch

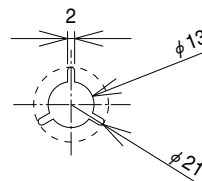


U.FL-R-SMT-1(80): 4mm pitch

Reel Dimensions



A(SCALE FREE)



■Cable Assembly (Plug)



| | U.FL-LP-040HF | U.FL-LP-066HF U.FL-LP-068HF | U.FL-LP(V)-040HF(06) | U.FL-LP-062HF(06) | U.FL-LP-088HF(06) |
|-------------------------|-------------------------------|--------------------------------|----------------------------|----------------------------|----------------------------|
| Part No. Size | | | | | |
| Mated Height | 2.5mm Max. (2.4mm Nom.) | 2.5mm Max. (2.4mm Nom.) | 2.0mm Max. (1.9mm Nom.) | 2.4mm Max. (2.3mm Nom.) | 2.4mm Max. (2.3mm Nom.) |
| Applicable cable | Dia. 0.81mm | Dia. 1.13mm and Dia. 1.32mm | Dia. 0.81mm | Dia. 0.95mm | Dia. 1.37mm |
| Weight (mg) | 54 | 59 | 35 | 45.5 | 72 |
| Environmental compliant | Halogen-free, RoHS2 compliant | | | | |

●Cable Guide

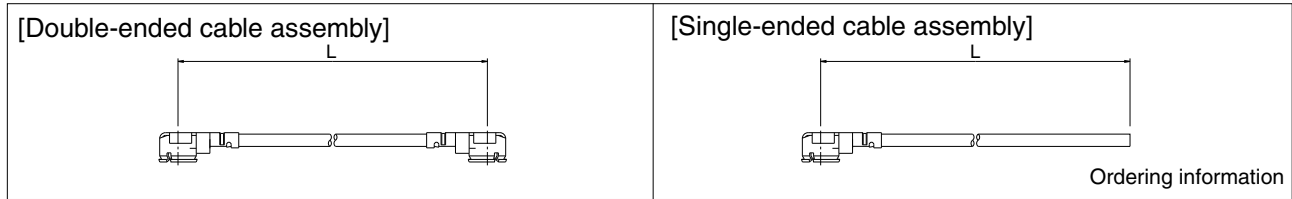
| Description | Cable Type | Cable Specification | | | | | | |
|--------------------------|------------|---------------------|---------------------|------------------------|-----------------|-----------------------|---------------------|----------|
| | | Inner Conductor* | Dielectric Diameter | Outer Conductor* | Jacket Diameter | Flame Retardant Grade | Nominal attenuation | |
| | | | | | | | At 3GHz | At 6GHz |
| Dia.0.81mm Coaxial Cable | 04 | 7/0.05 SA (AWG#36) | Dia.0.4mm FEP | Single Shield TA | Dia.0.81mm FEP | VW-1 | 5.4dB/m | 8.0dB/m |
| Dia.1.13mm Coaxial Cable | 068 | 7/0.08 SA (AWG#32) | Dia.0.68mm FEP | Single Shield TA | Dia.1.13mm FEP | | 3.73dB/m | 5.44dB/m |
| Dia.1.32mm Coaxial Cable | 066 | 7/0.08 SA (AWG#32) | Dia.0.66mm FEP | Double Shield TA | Dia.1.32mm FEP | | 3.8dB/m | 5.6dB/m |
| Dia.0.95mm Coaxial Cable | 062 | 7/0.071 SA (AWG#33) | Dia.0.62mm FEP | Tape, single Shield TA | Dia.0.95mm FEP | | 3.1dB/m | 4.4dB/m |
| Dia.1.37mm Coaxial Cable | 088 | 7/0.102 SA (AWG#30) | Dia.0.88mm FEP | Single Shield TA | Dia.1.37mm FEP | | 2.8dB/m | 4.3dB/m |
| Dia.1.37mm Coaxial Cable | 088 | 7/0.102 SA (AWG#30) | Dia.0.88mm FEP/PTEE | Tape, Single Shield TA | Dia.1.37mm FEP | | 2.5dB/m | 3.4dB/m |

(data as provided by cable suppliers, for reference only)

* SA : Silver plated annealed copper wire, TA : Tin plated annealed copper wire

[Plugs can be ordered only as terminated cable assemblies.]

◆ How To Specify Cable Assembly



● Product Number Structure

Used plug : U.FL-LP(V)-040HF(06)

U.FL-LP-040HF(Dia.0.81mm)

Double-Ended **U.FL - 2LP HF6 - 04N [] TV - A - L**
① ② ③ ④ ⑤ ⑥ ⑦

Single-Ended **U.FL - LP HF6 - 04N [] TV - A - L**
① ② ③ ④ ⑤ ⑥ ⑦

| | |
|---------------------------|---|
| ① Series name | U.FL, UFL |
| ② Assembly type | LP : Single ended LPV : Plug(V) Single ended 2, 2LP : Double ended 2LPV plug(V) Double ended |
| ③ Environmental compliant | HF6 : Halogen-free |
| ④ Cable type | 04N : Dia.0.81mm Ultra-fine coaxial cable |
| ⑤ Cable color | 1 : White, 2 : Black |
| ⑥ Cable outer conductor | TV : Tin plated braided wire |
| ⑦ Total length(mm) | Length(L) |

Used plug : U.FL-LP-062HF(06)(Dia.0.95mm)

Double-Ended **U.FL - 2LP HF6 - 062N [] D - A - L**
① ② ③ ④ ⑤ ⑥ ⑦

Single-Ended **U.FL - LP HF6 - 062N [] D - A - L**
① ② ③ ④ ⑤ ⑥ ⑦

| | |
|---------------------------|--|
| ① Series name | U.FL, UFL |
| ② Assembly type | LP : Single ended 2, 2LP : Double ended |
| ③ Environmental compliant | HF6 : Halogen-free |
| ④ Cable type | 062N : Dia.0.95mm Ultra-fine coaxial cable |
| ⑤ Cable color | 1 : Gray, 2 : Black |
| ⑥ Cable outer conductor | D : Copper tape + Tin plated braided wire |
| ⑦ Total length(mm) | Length(L) |

Used plug : U.FL-LP-068HF(Dia.1.13mm)

Double-Ended **U.FL - 2LP HF6 - 068N [] T - A - L**
① ② ③ ④ ⑤ ⑥ ⑦

Single-Ended **U.FL - LP HF6 - 068N [] T - A - L**
① ② ③ ④ ⑤ ⑥ ⑦

| | |
|---------------------------|--|
| ① Series name | U.FL, UFL |
| ② Assembly type | LP : Single ended 2, 2LP : Double ended |
| ③ Environmental compliant | HF6 : Halogen-free |
| ④ Cable type | 068Y : 068N : Dia.1.13mm Ultra-fine coaxial cable |
| ⑤ Cable color | 1 : Gray, 2 : Black |
| ⑥ Cable outer conductor | T : Tin plated braided wire |
| ⑦ Total length(mm) | Length(L) |

Used plug : U.FL-LP-088HF(06)(Dia.1.37mm)

Double-Ended **U.FL - 2LP HF6 - 088N [] T - A - L**
① ② ③ ④ ⑤ ⑥ ⑦

Single-Ended **U.FL - LP HF6 - 088N [] T - A - L**
① ② ③ ④ ⑤ ⑥ ⑦

| | |
|---------------------------|---|
| ① Series name | U.FL, UFL |
| ② Assembly type | LP : Single ended 2, 2LP : Double ended |
| ③ Environmental compliant | HF6 : Halogen-free |
| ④ Cable type | 088Y : 088N : Dia.1.37mm Ultra-fine coaxial cable |
| ⑤ Cable color | 1 : Gray, 2 : Black |
| ⑥ Cable outer conductor | T : Tin plated braided wire PD : Copper tape + Tin plated braided wire |
| ⑦ Total length(mm) | Length(L) |

Used plug : U.FL-LP-066HF(Dia.1.32mm)

Double-Ended **U.FL - 2LP HF6 - 066N [] - A - L**
① ② ③ ④ ⑤ ⑥

Single-Ended **U.FL - LP HF6 - 066N [] - A - L**
① ② ③ ④ ⑤ ⑥

| | |
|---------------------------|--|
| ① Series name | U.FL, UFL |
| ② Assembly type | LP : Single ended 2, 2LP : Double ended |
| ③ Environmental compliant | HF6 : Halogen-free |
| ④ Cable type | 066N : Dia.1.32mm Ultra-fine coaxial cable |
| ⑤ Cable color | 1 : Gray, 2 : Black |
| ⑥ Total length(mm) | Length(L) |

● Standard tolerances for (L)

| (L)(mm) | Standard Tolera(mm) |
|--------------------|---------------------|
| *L=35 to 200 | ±4 |
| L=200 to 500 | ±8 |
| L=500 to 1000 | ±12 |
| L=Longer than 1000 | ±1.5% of (L) |

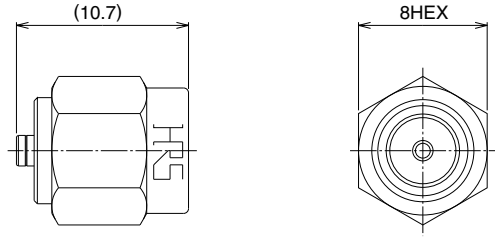
Note : Minimum available length(L) is 35mm

Conversion Adapters

SMA Conversion Adapter (Mating portion: U.FL side jack - SMA side plug)



Note : The U.FL side mating portions has a lower lock retention force than the regular product, therefore, cannot be used for purposes other than performance measurements.

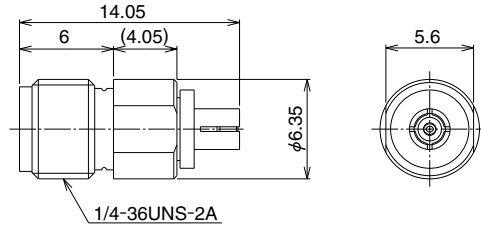


| Part No. | HRS No. |
|----------------|---------------|
| HRMP-U.FLJ(40) | 311-0300-2 40 |

SMA Conversion Adapter (Mating portion: U.FL side plug - SMA side jack)



Note : The U.FL side mating portions has a lower lock retention force than the regular product, therefore, cannot be used for purposes other than performance measurements.

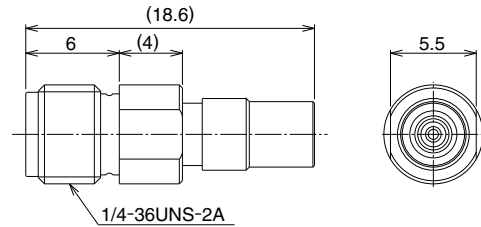


| Part No. | HRS No. |
|----------------|---------------|
| HRMJ-U.FLP(40) | 311-0301-5 40 |

SMA Conversion Adapter (Mating portion: U.FL side plug - SMA side jack)



Note : This connector is used by compressing the mated portion of U.FL side onto the U.FL-R-SMT-1 portion.

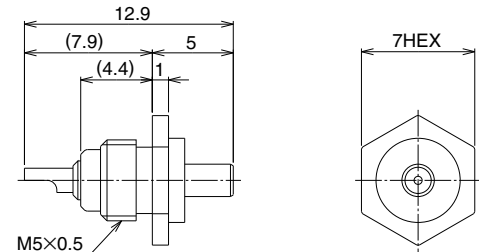


| Part No. | HRS No. |
|--------------------|---------------|
| HRMJ-U.FLP-ST1(40) | 311-0385-5 40 |

Receptacle to Inspection



This receptacle is used for inspecting the continuity, withstand voltage, and other aspects of the harness product.



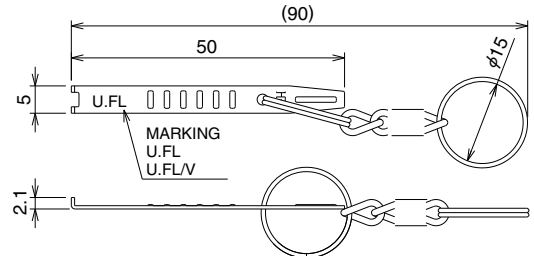
| Part No. | HRS No. |
|----------|------------|
| U.FL-R-1 | 331-0466-0 |

Plug Extraction Tool

This tool is used for extraction from a mating condition.



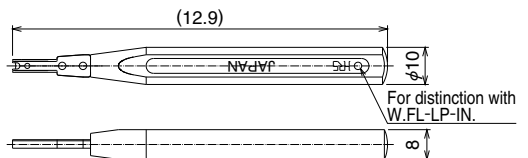
Note : Part No. U.FL-LP-N-2 for U.FL-LP-040HF/066HF/088HF/068HF.
Part No. U.FL-LP(V)-N-2 for U.FL-LP(V)-040HF/U.FL-LP-062HF.



| Part No. | HRS No. |
|----------------|------------|
| U.FL-LP-N-2 | 331-0494-5 |
| U.FL-LP(V)-N-2 | 331-0493-2 |

Plug Insertion Tool

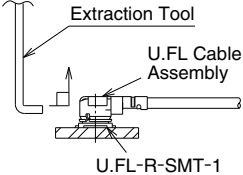
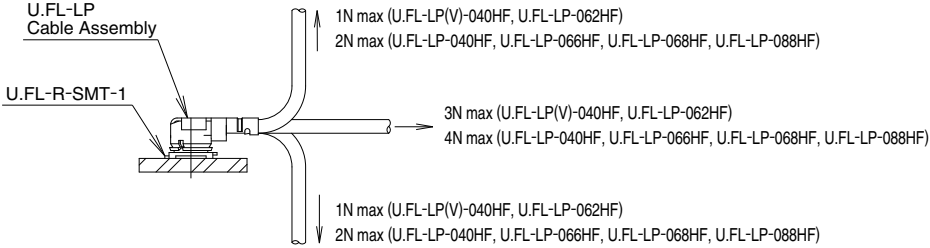
This tool is for mating U.FL series plug into receptacle.



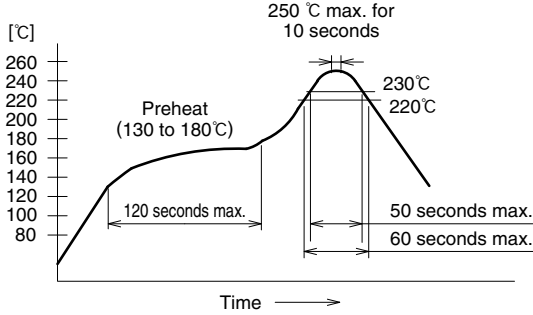
| Part No. | HRS No. |
|------------|------------|
| U.FL-LP-IN | 331-0334-9 |

◆ Usage Precautions

1. Plugs

| | |
|--|---|
| (1) Mating / unmating | <p>1) To disconnect connectors, insert the end portion of U.FL-LP-N-2 and U.FL-LP(V)-N-2 under the connector flanges and pull off vertically, in the direction of the connector mating axis.</p> <p>2) To mate the connectors, the mating axes of both connectors must be aligned and the connectors can be mated. The "click" will confirm fully mated connection. Do not attempt to insert on an extreme angle.</p>  |
| (2) Pull forces on the cable after connectors are mated. | <p>After the connectors are mating, do not apply a load to the cable in excess of the values indicated in the diagram below.</p>  |
| (3) Precautions | Do NOT forcefully twist or deform wires. |

2. Receptacles

| | |
|--|---|
| (1) Recommended reflow temperature profile |  <ol style="list-style-type: none"> ① The temperature of the printed circuit board surface temperature at the points of contact with the terminals. ② Reflow soldering should be performed at a printed circuit surface temperature of 250°C max. ③ In individual applications the actual temperature may vary, depending on the solder paste type, volume / thickness and board size / thickness. Consult your solder paste and equipment manufacturer for specific recommendations. |
| (2) Recommended manual soldering | Manual soldering : 350°C for 5 seconds |
| (3) Recommended metal mask thickness | 0.1 to 0.12mm |
| (4) Reflow cycles | 2 times |

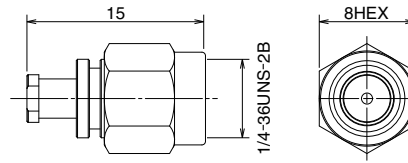
3. Operating environment and storage conditions

| | |
|-------------------------------------|--|
| (1) Operating environment | <p>The connectors are not designed to operate in the following environments :</p> <ul style="list-style-type: none"> • Exposed to a excessive amounts of fine particles and dust • Regions and places having a high density of sulfur dioxide, hydrogen sulfide, nitrogen dioxide or other corrosive gasses. • Environments having large rapid variations in temperature. |
| (2) Storage conditions - Receptacle | <p>Store in the Hirose Electric packaging.</p> <p>Temperature : -10 to +40°C, Humidity : 85% max.</p> <p>Use within 6 months of delivery.</p> <p>Receptacles for which the storage period has elapsed must be tested for solderability to the PC board mounting surface.</p> |

SMA cable type

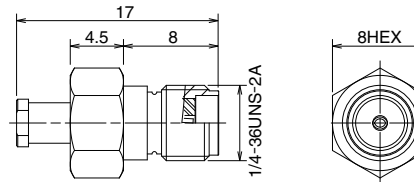
SMA

● Straight Plug



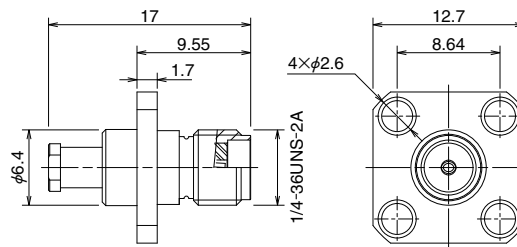
| Part No. | HRS No. | Applicable cable |
|--------------------|---------------|--------------------------|
| HRM-200-040PBN(40) | 323-0790-3 40 | Dia. 0.81 type |
| HRM-200-066PBN(40) | 323-0791-6 40 | Dia. 1.13, Dia.1.32 type |
| HRM-200-088PBN(40) | 323-0800-5 40 | Dia. 1.37 type |

● Straight Jack



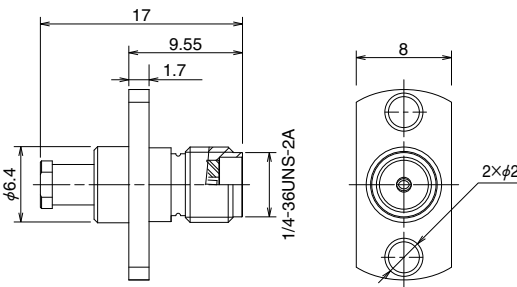
| Part No. | HRS No. | Applicable cable |
|--------------------|---------------|--------------------------|
| HRM-200-040JBN(40) | 323-0792-9 40 | Dia. 0.81 type |
| HRM-200-066JBN(40) | 323-0793-1 40 | Dia. 1.13, Dia.1.32 type |
| HRM-200-088JBN(40) | 323-0801-8 40 | Dia. 1.37 type |

● Panel mount Jack (Four Screws)



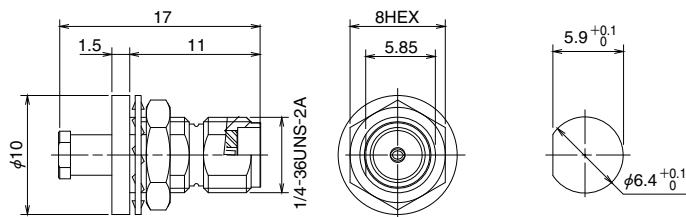
| Part No. | HRS No. | Applicable cable |
|----------------------|---------------|--------------------------|
| HRM-200-040PJ4BN(40) | 323-0795-7 40 | Dia. 0.81 type |
| HRM-200-066PJ4BN(40) | 323-0796-0 40 | Dia. 1.13, Dia.1.32 type |
| HRM-200-088PJ4BN(40) | 323-0803-3 40 | Dia. 1.37 type |

● Panel mount Jack (Two Screws)



| Part No. | HRS No. | Applicable cable |
|----------------------|---------------|--------------------------|
| HRM-200-040PJ2BN(40) | 323-0794-4 40 | Dia. 0.81 type |
| HRM-200-066PJ2BN(40) | 323-0788-1 40 | Dia. 1.13, Dia.1.32 type |
| HRM-200-088PJ2BN(40) | 323-0802-0 40 | Dia. 1.37 type |

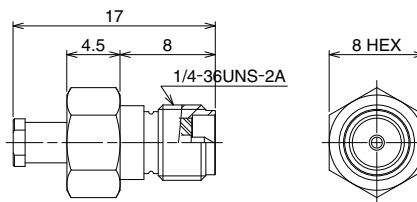
● Panel mount Jack (Bulkhead)



| Part No. | HRS No. | Applicable cable |
|----------------------|---------------|--------------------------|
| HRM-200-040BPJBN(40) | 323-0797-2 40 | Dia. 0.81 type |
| HRM-200-066BPJBN(40) | 323-0798-5 40 | Dia. 1.13, Dia.1.32 type |
| HRM-200-088BPJBN(40) | 323-0804-6 40 | Dia. 1.37 type |

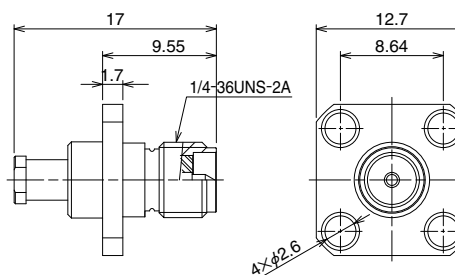
Reverse polarity SMA

● **Straight Jack**



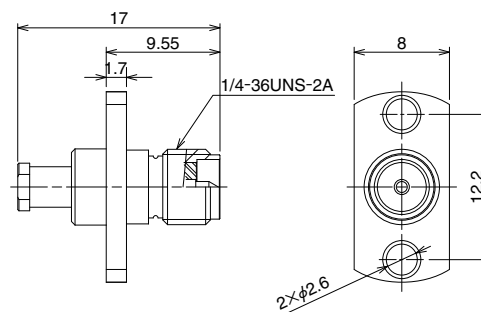
| Part No. | HRS No. | Applicable cable |
|-------------------|------------|--------------------------|
| SMA(R)-200-040JBN | 323-0926-3 | Dia. 0.81 type |
| SMA(R)-200-066JBN | 323-0931-3 | Dia. 1.13, Dia.1.32 type |
| SMA(R)-200-088JBN | 323-0904-0 | Dia. 1.37 type |

● **Panel mount Jack (Four Screws)**



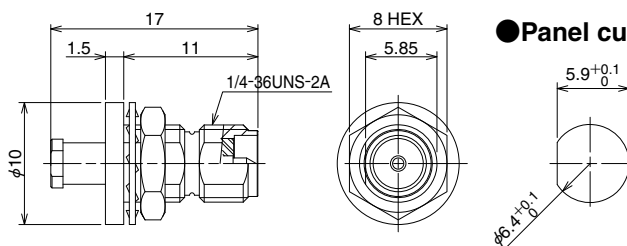
| Part No. | HRS No. | Applicable cable |
|---------------------|------------|--------------------------|
| SMA(R)-200-040PJ4BN | 323-0928-9 | Dia. 0.81 type |
| SMA(R)-200-066PJ4BN | 323-0932-6 | Dia. 1.13, Dia.1.32 type |
| SMA(R)-200-088PJ4BN | 323-0934-1 | Dia. 1.37 type |

● **Panel mount Jack (Two Screws)**



| Part No. | HRS No. | Applicable cable |
|---------------------|------------|--------------------------|
| SMA(R)-200-040PJ2BN | 323-0929-1 | Dia. 0.81 type |
| SMA(R)-200-066PJ2BN | 323-0933-9 | Dia. 1.13, Dia.1.32 type |
| SMA(R)-200-088PJ2BN | 323-0935-4 | Dia. 1.37 type |

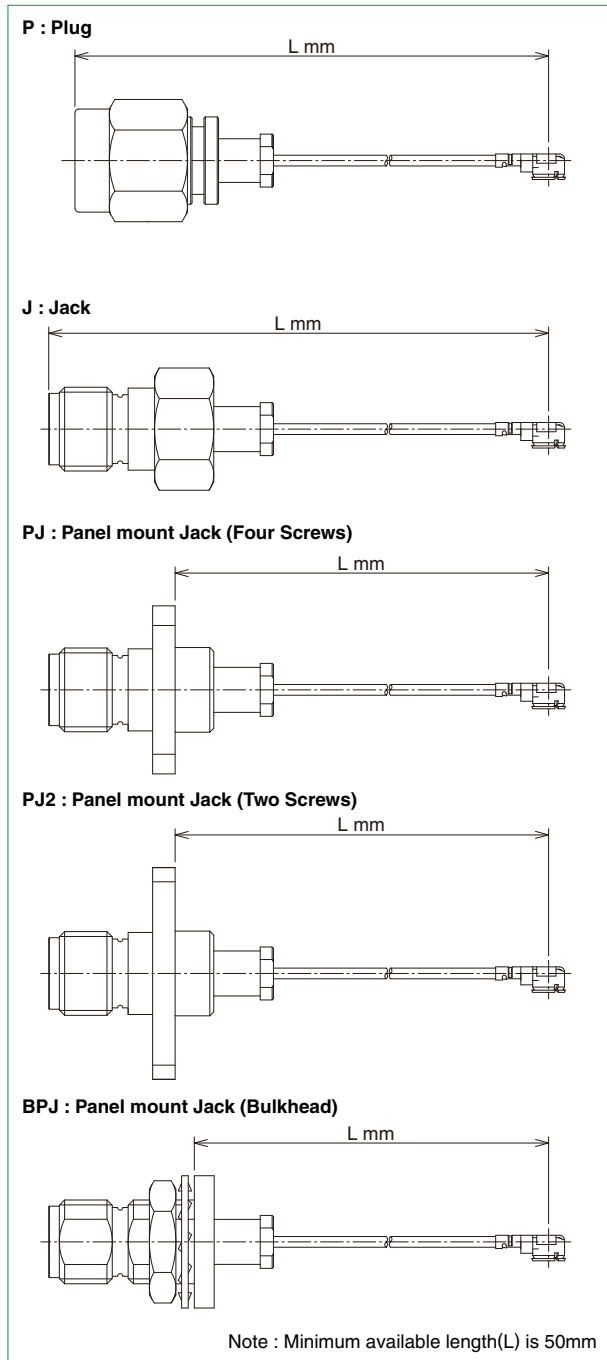
● **Panel mount Jack (Bulkhead)**



● **Panel cut-out**

| Part No. | HRS No. | Applicable cable |
|---------------------|------------|--------------------------|
| SMA(R)-200-040BPJBN | 323-0927-6 | Dia. 0.81 type |
| SMA(R)-200-066BPJBN | 323-0902-5 | Dia. 1.13, Dia.1.32 type |
| SMA(R)-200-088BPJBN | 323-0901-2 | Dia. 1.37 type |

How To Specify Cable Assembly



Ordering information

HRM P-UFLHF6-04 [※]2[※]-A-L

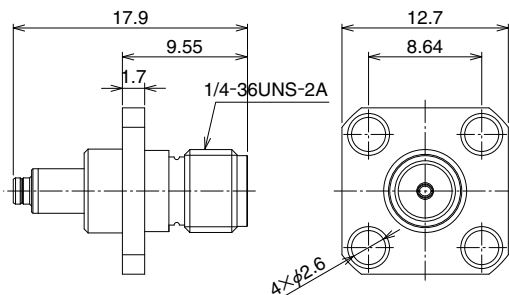
① ② ③ ④ ⑤

| | |
|--------------------|---|
| ① Series name | HRM : SMA type SMAR : Reverse polarity SMA |
| ② Connector type | P : Plug J : Jack PJ : Panel mount Jack(Four screws) PJ2 : Panel mount Jack(Two screws) BPJ : Panel mount Jack(Bulkhead) |
| ③ Cable type | 04 : Dia. 0.81mm Coaxial cable 066 : Dia. 1.32mm Coaxial cable 068 : Dia. 1.13mm Coaxial cable 088 : Dia. 1.37mm Coaxial cable |
| ④ Cable color | 04 2 : Black 066 068 2 : Black 088 |
| ⑤ Total length(mm) | Length(L) |

SMA conversion adapter

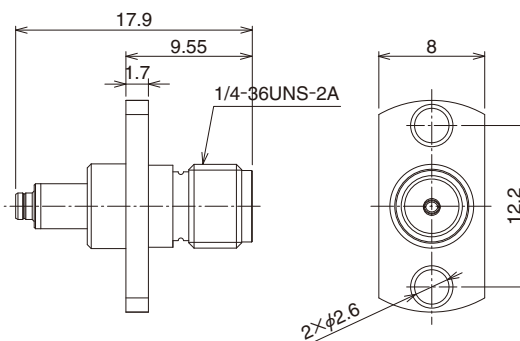
SMA

Panel mount adapter (Four Screws)



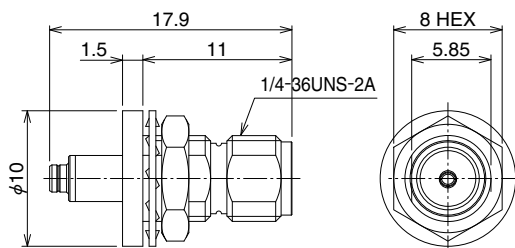
| Part No. | HRS No. |
|----------------|------------|
| HRMJ-U.FLJ-PA4 | 311-0465-2 |

Panel mount adapter (Two Screws)



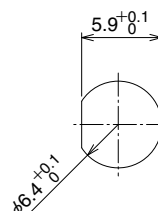
| Part No. | HRS No. |
|----------------|------------|
| HRMJ-U.FLJ-PA2 | 311-0467-8 |

Panel mount adapter (Bulkhead)

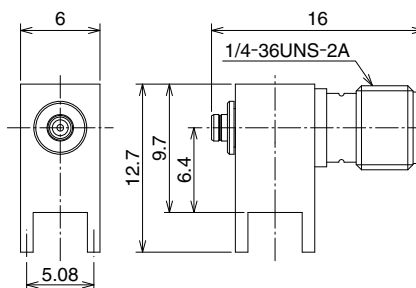
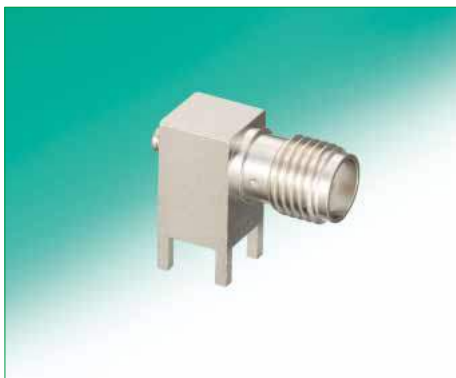


| Part No. | HRS No. |
|------------------|------------|
| HRMJ-U.FLJ-BPA-4 | 311-0463-7 |

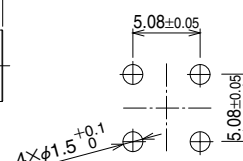
Panel cut-out



PCB mount adapter



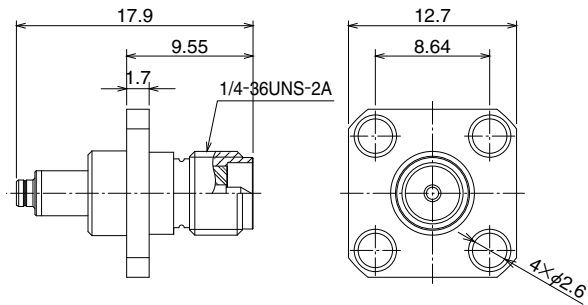
Panel cut-out



| Part No. | HRS No. | Finish |
|-------------------|---------------|---------------|
| HRMJ-U.FLJ-PC | 311-0411-3 | Nickel plated |
| HRMJ-U.FLJ-PC(01) | 311-0411-3 01 | Gold plated |

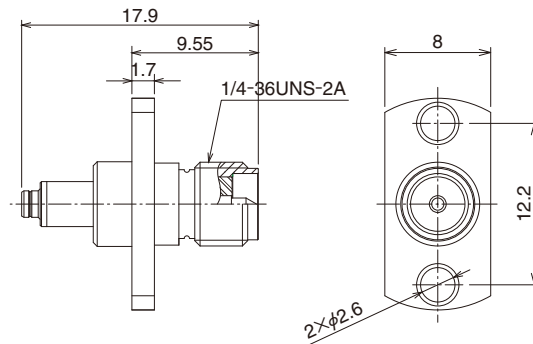
Reverse polarity SMA

● **Panel mount adapter (Four Screws)**



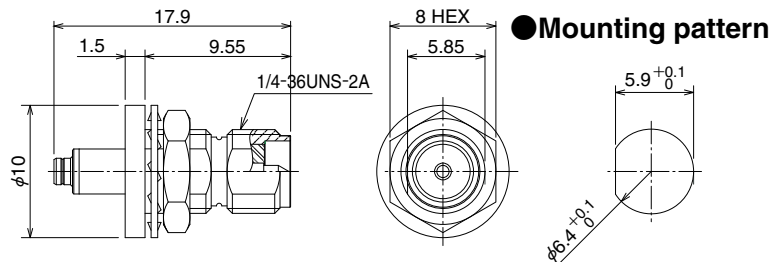
| Part No. | HRS No. |
|-------------------|------------|
| SMA(R)J-U.FLJ-PA4 | 311-0466-5 |

● **Panel mount adapter (Two Screws)**



| Part No. | HRS No. |
|-------------------|------------|
| SMA(R)J-U.FLJ-PA2 | 311-0468-0 |

● **Panel mount adapter (Bulkhead)**



| Part No. | HRS No. |
|---------------------|------------|
| SMA(R)J-U.FLJ-BPA-4 | 311-0464-0 |



HIROSE ELECTRIC CO.,LTD.

2-6-3,Nakagawa Chuoh,Tsuzuki-Ku,Yokohama-Shi 224-8540,JAPAN
 TEL: +81-45-620-3526 Fax: +81-45-591-3726
<http://www.hirose.com>
<http://www.hirose-connectors.com>