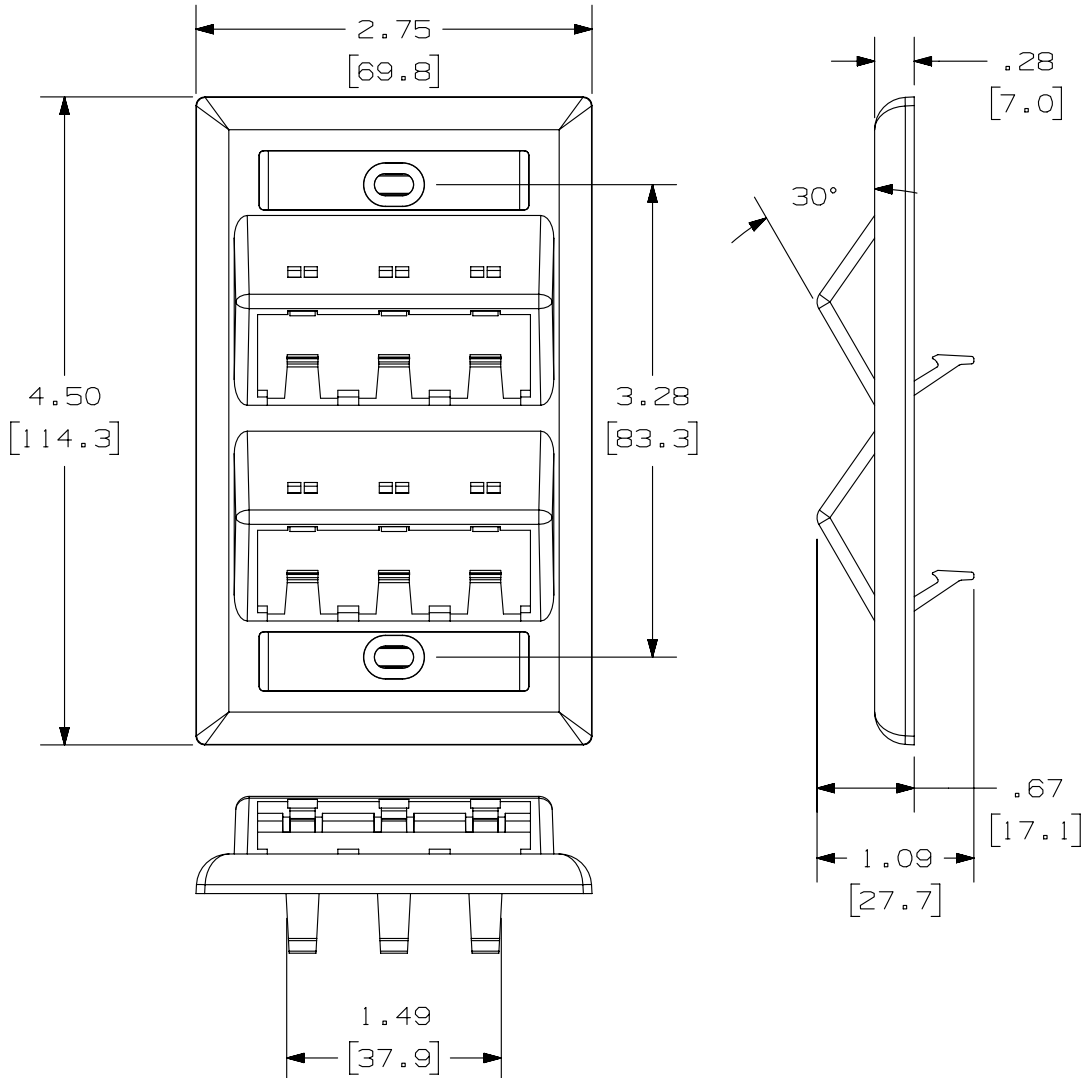
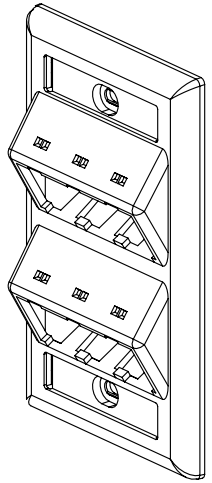


THIS COPY IS PROVIDED ON A RESTRICTED BASIS AND IS NOT TO BE USED IN ANY WAY DETRIMENTAL TO THE INTERESTS OF PANDUIT CORP.



PANDUIT P/N	WEIGHT
CFPSL6**Y	.48 LB/10 PCS. (218.0 G/10 PCS.)

- NOTES:
1. SEE CURRENT CATALOG FOR ADDITIONAL PART NUMBER SUFFIXES TO INDICATE COLOR AND OR PACKAGE QUANTITY.
 2. SEE CATALOG FOR COMPLETE LIST OF PARTS APPLICABLE FOR USE WITH THIS PART.
 3. PART INCLUDES:
 - 1- FACEPLATE
 - 2- MOUNTING SCREWS
 - 2- LABEL
 - 2- LABEL COVER
 4. DIMENSIONS IN [] ARE IN METRIC.



PART NUMBER		CFPSL6**Y	
TITLE			
MINI-COM 6 POSITION CLASSIC SERIES VERTICAL SLOPED FACEPLATE WITH LABEL/COVER			
CUSTOMER DRAWING			
ITEM REVISION NAME		M02479EI/01	
DATASET FILE NAME		M02479EI.DC115/00B	
UNLESS OTHERWISE SPECIFIED, DIMENSIONAL TOLERANCES ARE: IN [mm]		MATERIAL:	
.x ± .xxx ± .010 [.3]		ABS	
.xx ± .03 [.8] ANGLES ±		DRAWING NUMBER:	
THIRD ANGLE PROJECTION		02479-115	
DRAWN BY	DATE	CHK	SCALE
JSP	3-11-06	MJD	NONE
REV	DATE	BY	CHK
1	4/17/14	JSP	REFR
R	3-11-06	JSP	MJD
DESCRIPTION		ECN	
A. REVISED DRAWING TITLE BLOCK.		02479-115	
RELEASED TO PRODUCTION		02479-115	
SHT 1 OF 1		A	

D10100DA/14