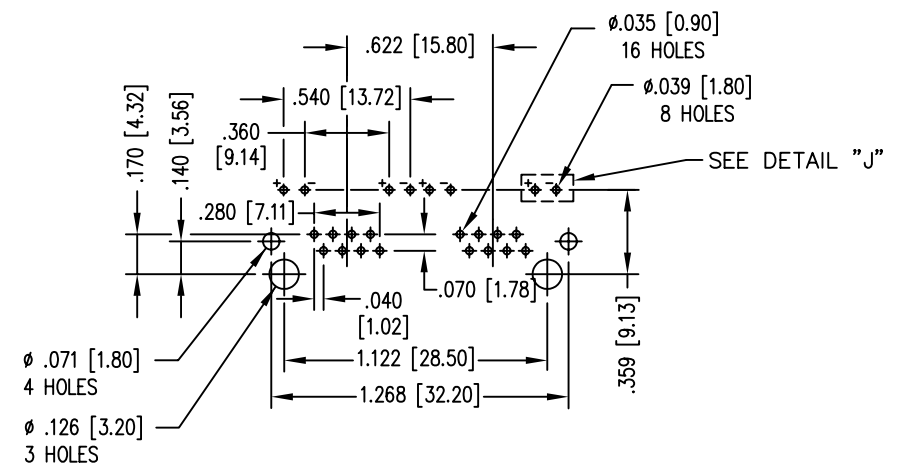
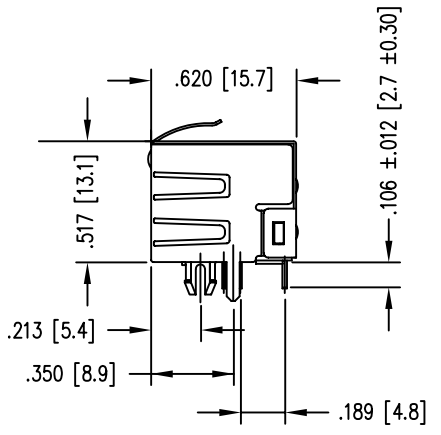
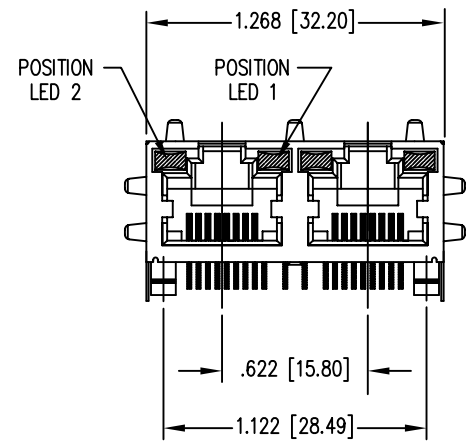
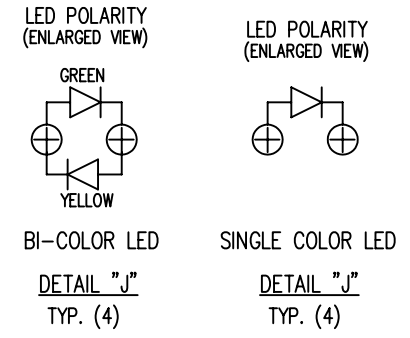


DATE	REV	ECN	APP'D. BY
8/22/03	A1	6160	RGC
1-13-06	A2	7437	JM
5-15-06	A3	7621	TRM

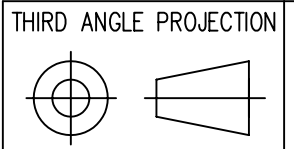


P.C.B. RECOMMENDED HOLE LAYOUT
SEEN FROM COMPONENT SIDE
ALL CENTERLINE DIMENSIONS ARE BASIC

MATERIAL:
 HOUSING: PBT+30%G.F. UL94V-0. STANDARD COLOR: BLACK
 INSERT: PBT+30%G.F. UL94V-0. STANDARD COLOR: BLACK
 LENS: PC UL94V-0. STANDARD COLOR: CLEAR
 BACK: PBT+30%G.F. STANDARD COLOR: BLACK
 LED 3.2 x 2.0 x 4.0 x P=2.29mm.
 SHIELD: COPPER ALLOY 0.25mm THICKNESS.
 CONTACT: 0.35mm (.014") 50 MICRO INCH GOLD PLATING OVER
 NICKEL PHOSPHOR BRONZE ALLOY SELECTIVE.
 FOR PRODUCT SPECIFICATION SEE PR022-01



YELLOW/GREEN	YELLOW/GREEN	SS-74402-005
GREEN	RED	SS-74402-004
GREEN	GREEN	SS-74402-003
GREEN	YELLOW	SS-74402-002
YELLOW	GREEN	SS-74402-001
POSITION 2	POSITION 1	PART NUMBER
INDICATOR COLOR		

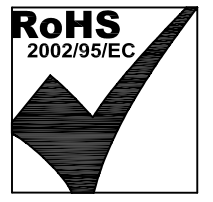


Bel Stewart Connector

11118 Susquehanna Trail South
 Glen Rock, PA 17327-9199
 (717) 235-7512 Fax: (717) 235-7954 <http://www.stewartconnector.com>

THIRD ANGLE PROJECTION
 DO NOT SCALE DRAWING
 DRAWING IS SUBJECT TO
 CHANGE WITHOUT NOTICE
 DIMENSIONS: INCHES [METRIC]
 UNLESS OTHERWISE SPECIFIED
 TOLERANCES ARE ±.005 [0.13]
 ANGLES ARE ± 1°
 SHEET NO. 1 OF 1

TITLE: EMI-RFI ONE PIECE SHIELDED, ESD GROUNDED
 2 PORT PCB HARMONICA LED JACK PAC
 THIS DRAWING AND THE SUBJECT MATTER SHOWN THEREON
 ARE CONFIDENTIAL AND THE PROPRIETARY PROPERTY OF
 BEL STEWART CONNECTOR AND SHALL NOT BE REPRODUCED,
 COPIED, OR USED IN ANY MANNER WITHOUT PRIOR WRITTEN
 CONSENT OF BEL STEWART CONNECTOR. THE SUBJECT
 MATTER MAY BE PATENTED OR A PATENT MAY BE PENDING.
 DRN BY: RGC DATE 7-23-02
 APPD BY: JRC DATE 7-23-02
 DWG NO. CT740105 REV. A3



B

B

A

A

REV. 7/3/03