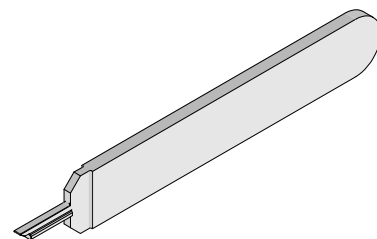




Extractor Tool

Application Tooling Specification Sheet



Order No. 63824-3500

FEATURES

- This tool is designed to extract MX120G™ receptacle terminals from MX120G™ sealed connector assemblies.

SCOPE

Products: MX120G Mat Seal Receptacle Terminals for MX120G™ Sealed Connectors Assemblies

Terminal Series No.	Terminal Order No.	Connector Series No.	Connector Order No				
36799	36799-0001	36807	36807-0201	36807-0301	36807-0401	36807-0501	36807-0601
	36799-0002	36792	36792-0601	36792-0801	36792-1001	36792-1201	36792-1205

OPERATION



- DO NOT** apply any lateral force; this may damage the tool, or the locking finger!
- DO NOT** use excessive force, excessive force can damage the lock finger!
- DO NOT** insert the extractor tool at an angle; this may cause damage to the terminal!

1. Push the terminal and wire forward in the arrow direction before using the Extractor Tool. Insert the tip of the tool into the housing T-slot above the terminal. See Figure 1 and 2.

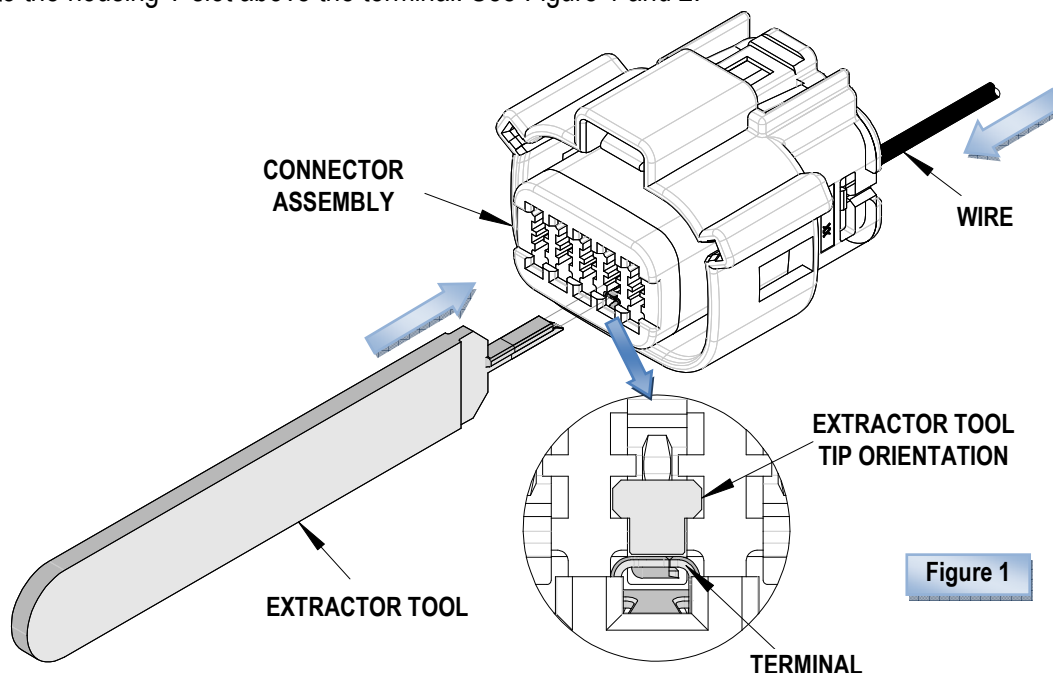
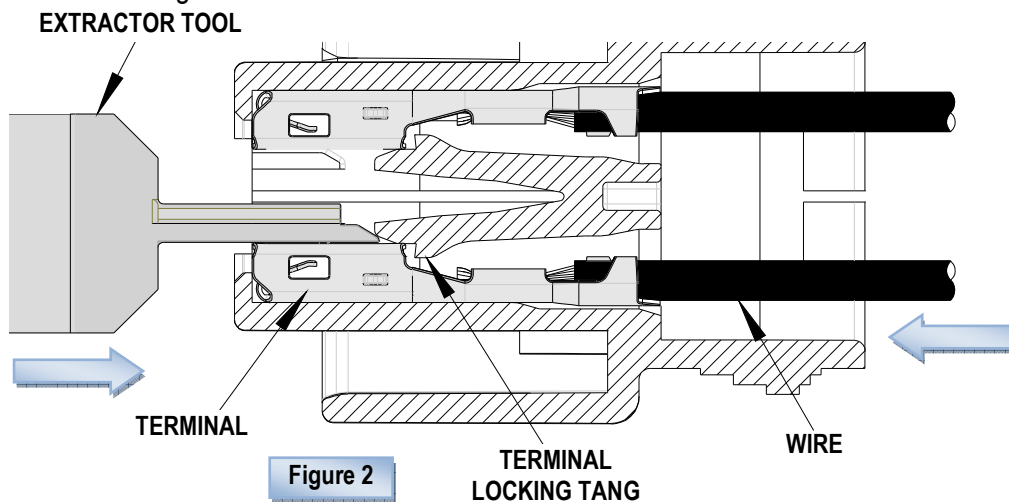
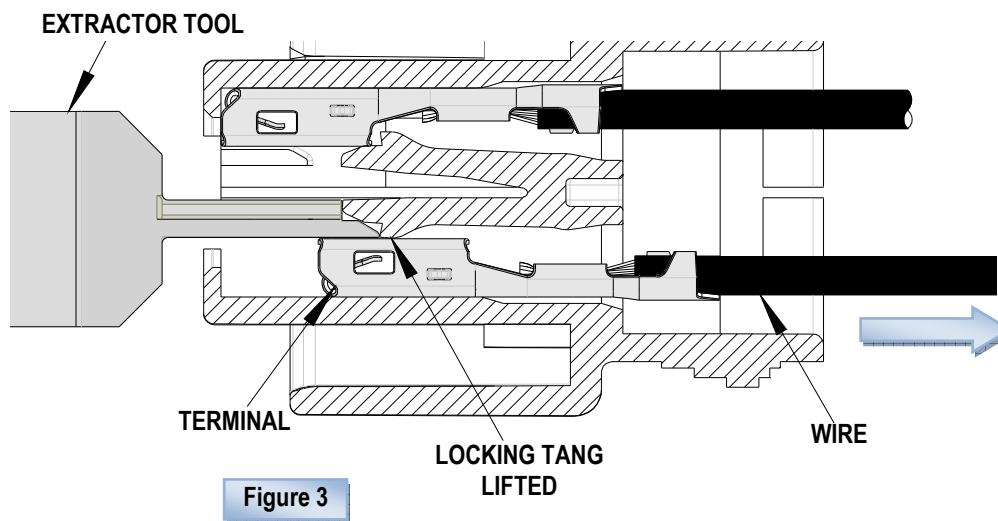


Figure 1

2. Depress the terminal locking tang and gently pull the terminal back through the connector slot in the arrow direction as shown in Figure 3.



3. For the terminals above rotate connector assembly by 180 degree to access the terminals.
4. Repeat steps 1 through 3 to extract the terminal.



CAUTION: This extractor tool should be used to extract the terminal only. Using it for unintended purposes may cause injury or damage to parts. Be careful not to deform the end of the terminal.

CAUTION: Molex specifications are valid only when used with Molex terminals, applicators and tooling.

Molex does not offer repair parts for Extractor Tools due to the inexpensive nature of these tools.

Contact Information

For more information on Molex application tooling please contact Molex at 1-800-786-6539.

Visit our Web site at <http://www.molex.com>