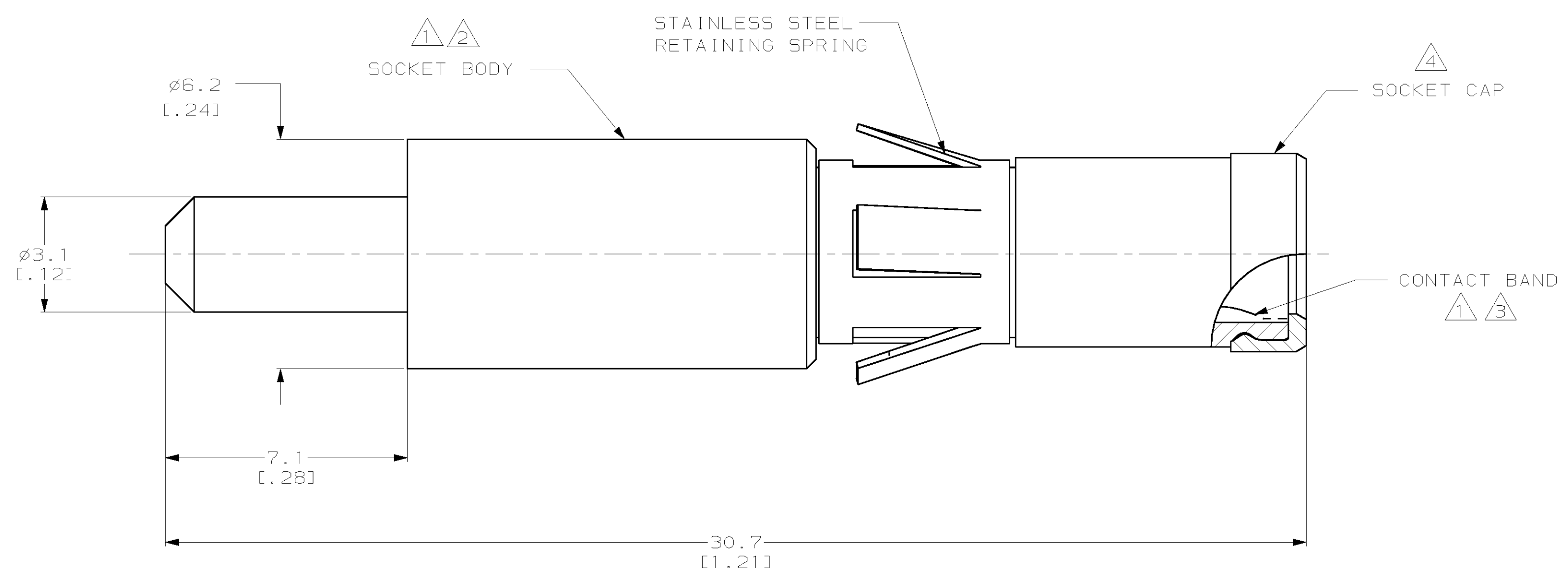


THIS DRAWING IS UNPUBLISHED. RELEASED FOR PUBLICATION  
 BY AMP INCORPORATED. ALL RIGHTS RESERVED.

LOC	DIST	REVISIONS					
		P	LTR	DESCRIPTION	DATE	DWN	APVD
CH	11			INITIAL RELEASE	10/JUL/97	RNP	PRG
		A		ECN OB20-1629-97	12/NOV/97	RNP	RAR

- ① MATERIAL: COPPER ALLOY.
- ② FINISH: SILVER PLATE 5 μM [200 μIN] THICK MIN. OVER 1.2 μM [50 μIN] THICK MIN. NICKEL OVER 0.1 μM [5 μIN] THICK COPPER FLASH.
- ③ FINISH: SILVER PLATE 5 μM [200 μIN] THICK MIN. OVER 1 μM [40 μIN] THICK MIN. NICKEL.
- ④ MATERIAL: ACETYL (DELRIN).
- 5. ALL DIMENSIONS ARE REFERENCE.



194252-1  
PART NO.

<small>THIS DRAWING IS A CONTROLLED DOCUMENT FOR AMP INCORPORATED. IT IS SUBJECT TO CHANGE AND THE CONTROLLING ENGINEERING ORGANIZATION SHOULD BE CONTACTED FOR THE LATEST REVISION.</small>		DWN	10/JUL/97	<b>AMP</b> AMP Incorporated Harrisburg, PA 17105-3608		
DIMENSIONS: mm [in]		CHK	-			
TOLERANCES UNLESS OTHERWISE SPECIFIED:		APVD	-	NAME 3mm SOCKET ASSY, HIGH CURRENT, SOLDER TAIL		
0 PLC ±- 1 PLC ±- 2 PLC ±- 3 PLC ±- 4 PLC ±- ANGLES ±- FINISH -		PRODUCT SPEC	-			
MATERIAL	-	APPLICATION SPEC	-	SIZE	CAGE CODE	DRAWING NO
		WEIGHT	-	A2	00779	©=194252
CUSTOMER DRAWING			SCALE	10:1	SHEET	1 OF 1
			REV		A	