

P1AD-18MM-65G

1.85mm Male to 1.85mm Male Straight Adapter. Frequency DC to 65 GHz, max VSWR 1.25.

Product Features

P1AD-18MM-65G is a straight 1.85mm Male to 1.85mm Male adapter. Frequency is DC to 65 GHz with a max VSWR 1.25.

It has a Stainless Steel body and meets operating temperatures from -40 to 85 degrees C.



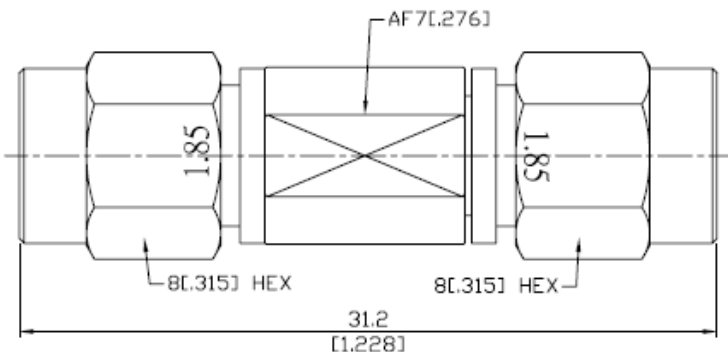
Electrical Specification: $T_{\text{Ambient}} = 25^{\circ}\text{C}$

Parameter	Frequency Range	Units	Min	Typical	Max	Notes
Frequency Range		GHz	DC		65.0	

Mechanical And Environmental Specifications:

Parameter	Description	Notes
Connector 1	1.85mm Male	
Connector 2	1.85mm Male	
RoHS Compliance	Yes	

Drawing



P1AD-18MM-65G

1.85mm Male to 1.85mm Male Straight Adapter. Frequency DC to 65 GHz, max VSWR
1.25.

Product Notes