

THIS DRAWING IS UNPUBLISHED.

RELEASED FOR PUBLICATION

2011

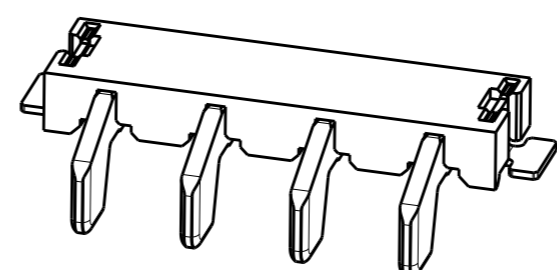
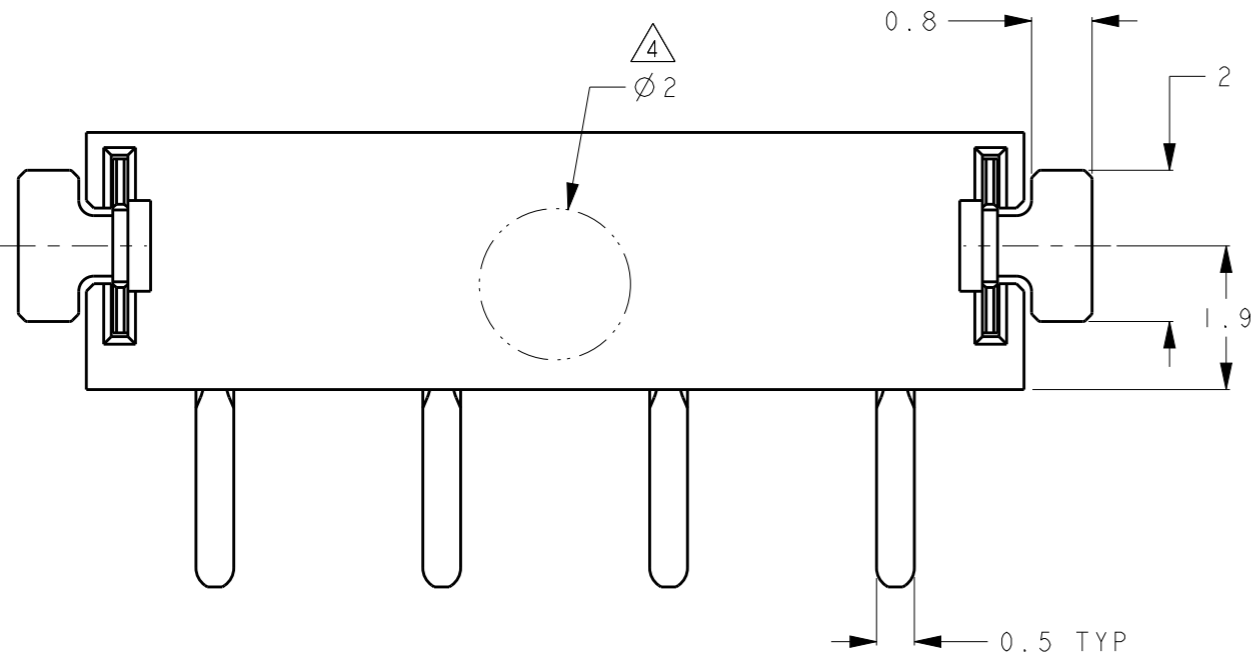
© COPYRIGHT 2011 BY -

ALL RIGHTS RESERVED.

LOC ES DIST -

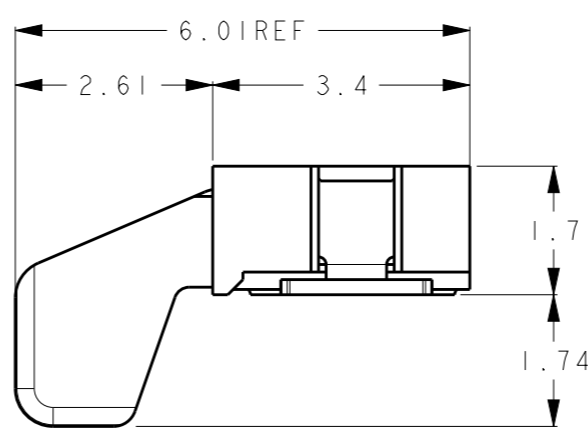
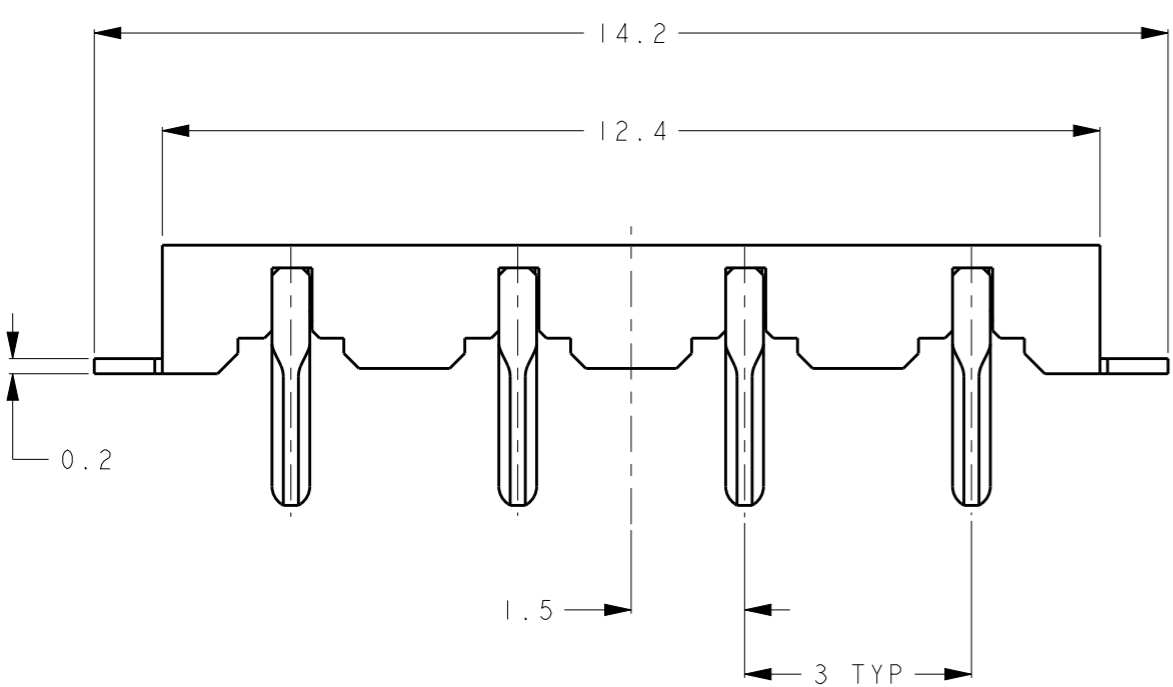
REVISIONS

P	LTR	DESCRIPTION	DATE	DWN	APVD
	A	RELEASED	04FAB2013	R.W	S.Y



SCALE 5:1

- △1 MATERIAL  
CONTACT: COPPER ALLOY  
HOUSING: THERMOPLASTIC, BLACK  
SOLDER PEG: COPPER ALLOY
- △2 FINISH  
CONTACT: NICKEL ALL OVER UNDER PLATING, 3um MIN.  
GOLD PLATING AT CONTACT AREA, 0.76um MIN.  
GOLD FLASH PLATING AT LEAD AREA, 0.05~0.2um  
SOLDER PEG: NICKEL ALL OVER UNDER PLATING, 1.27um MIN  
TIN PLATING ALL OVER, 2-5um
- 3. COPLANARITY 0.08MAX.
- △4 PICKING AREA



2134758-1: AS SHOWN

THIS DRAWING IS A CONTROLLED DOCUMENT.		DWN R. WANG 04FAB2013	<b>TE Connectivity</b>	
DIMENSIONS: mm		CHK W. HE 04FAB2013		
TOLERANCES UNLESS OTHERWISE SPECIFIED: ±0.15		APVD S. YAO 04FAB2013	NAME FLOATING BATTERY INTERCONNECTION SYSTEM PLUG ASSEMBLY 4P OFFSET TYPE	
0 PLC ± 1 PLC ± 2 PLC ± 3 PLC ± 4 PLC ± ANGLES ±3°		PRODUCT SPEC 108-78834-1	RESTRICTED TO -	
MATERIAL △1		APPLICATION SPEC	SIZE A300779	DRAWING NO C-2134758
FINISH △2		WEIGHT 0.24 g	SCALE 4:1 SHEET 1 OF 3 REV A	
		Customer Drawing		

THIS DRAWING IS UNPUBLISHED.

RELEASED FOR PUBLICATION

2011

© COPYRIGHT 2011 BY -

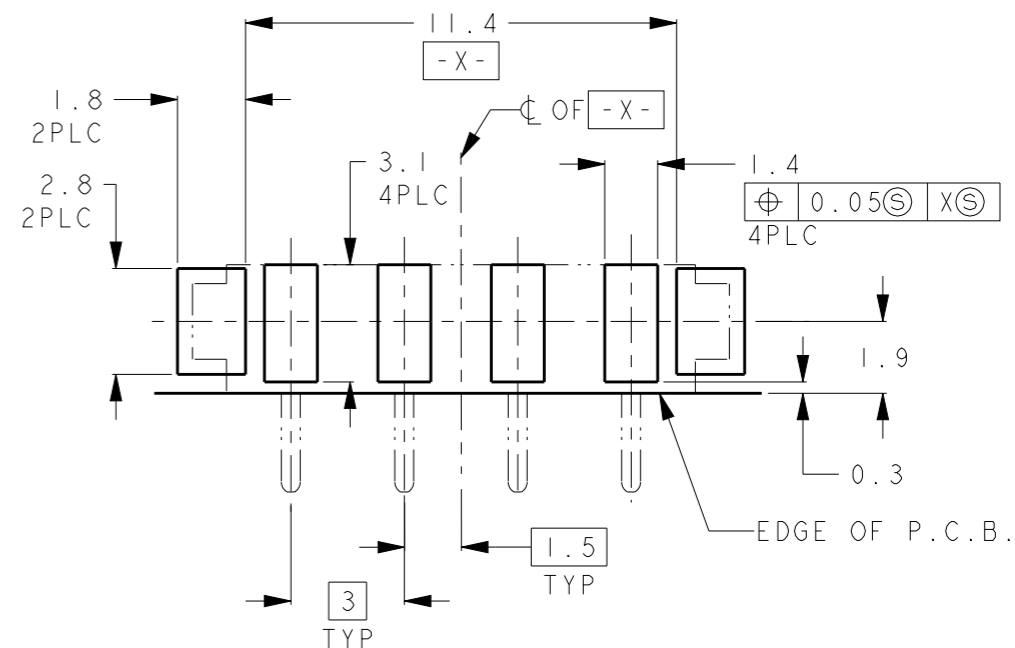
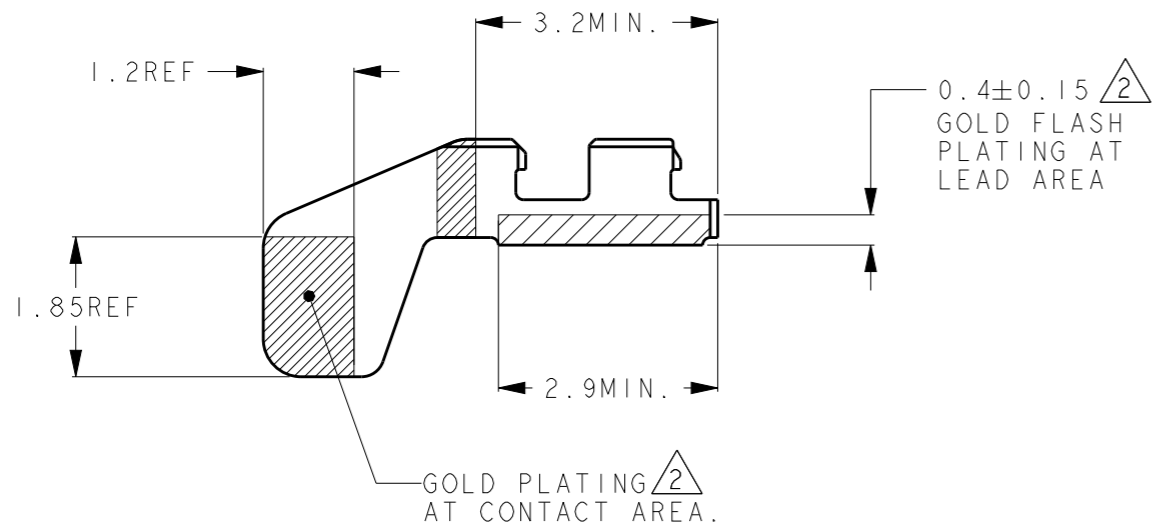
ALL RIGHTS RESERVED.

LOC  
ES

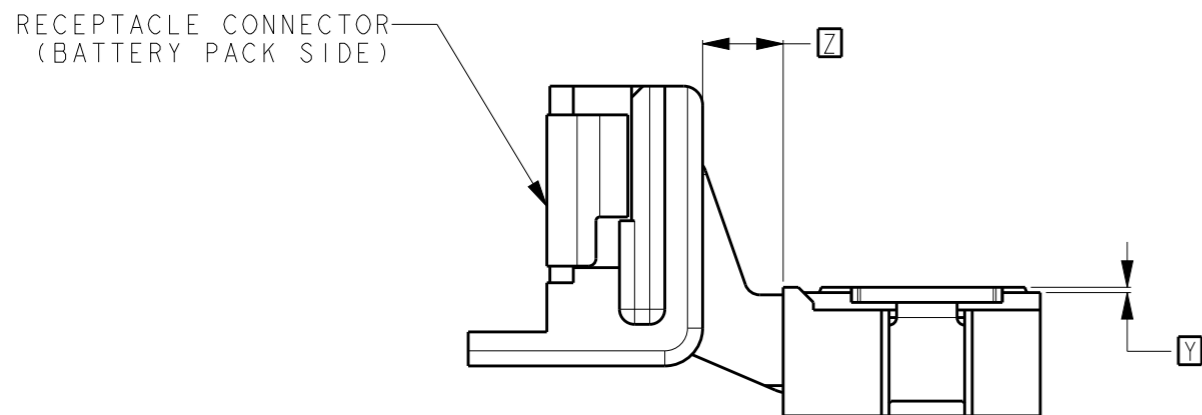
DIST  
-

REVISIONS

P	LTR	DESCRIPTION	DATE	DWN	APVD
	-	SEE SHEET 1	-	-	-



REFERENCE P.C. BOARD LAYOUT  
(GENERAL TOLERANCE: ±0.05, SCALE 5:1)



SCALE 10:1

CONNECTOR POSITION  
CONTACT TE FOR GUIDELINES

THIS DRAWING IS A CONTROLLED DOCUMENT.

DIMENSIONS: mm		TOLERANCES UNLESS OTHERWISE SPECIFIED: ± 0.15	
$\emptyset$ PLC	±		
1 PLC	±		
2 PLC	±		
3 PLC	±		
4 PLC	±		
ANGLES	± 3°		
MATERIAL		FINISH	

DWN
CHK
APVD
PRODUCT SPEC
APPLICATION SPEC
WEIGHT
Customer Drawing



NAME  
FLOATING BATTERY INTERCONNECTION SYSTEM  
PLUG ASSEMBLY 4P OFFSET TYPE

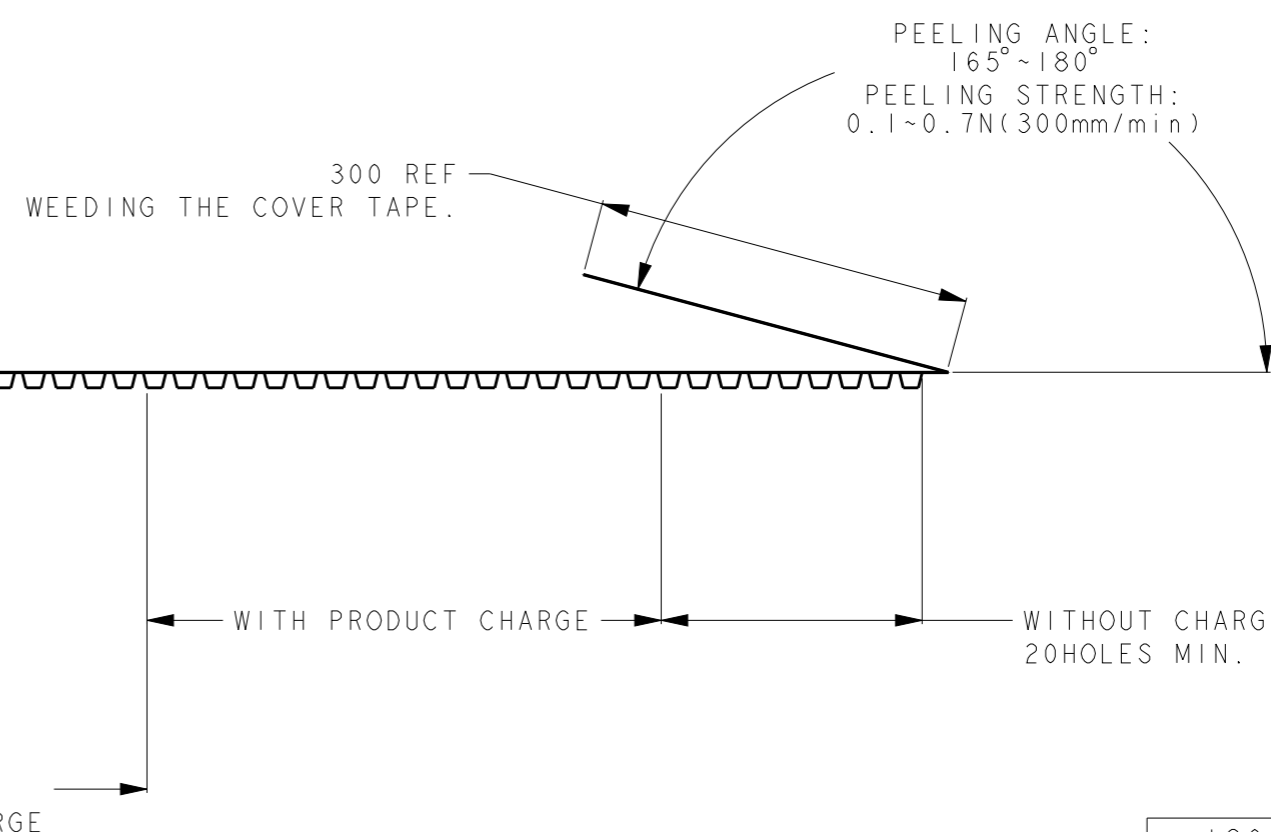
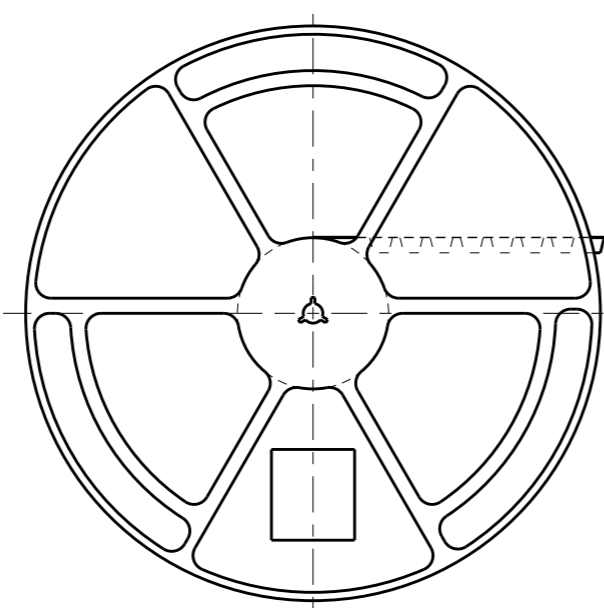
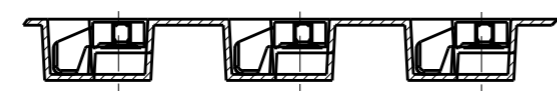
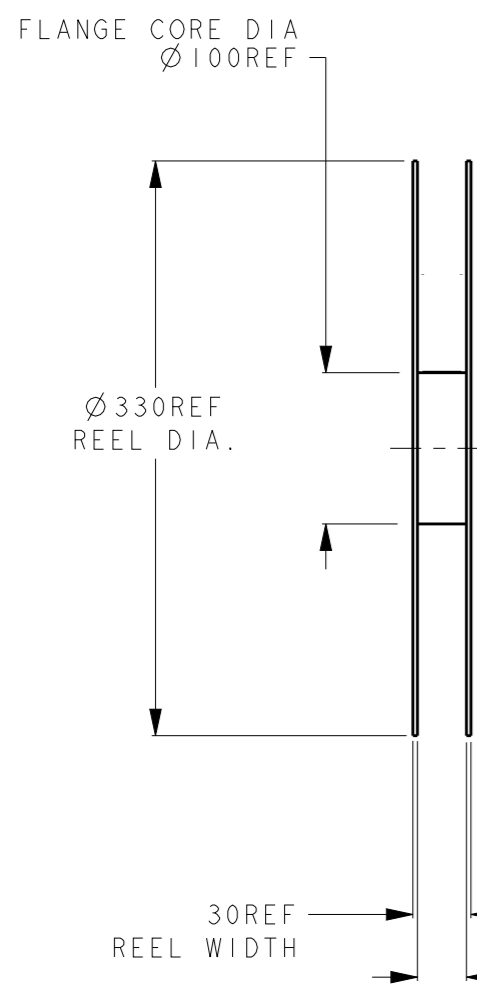
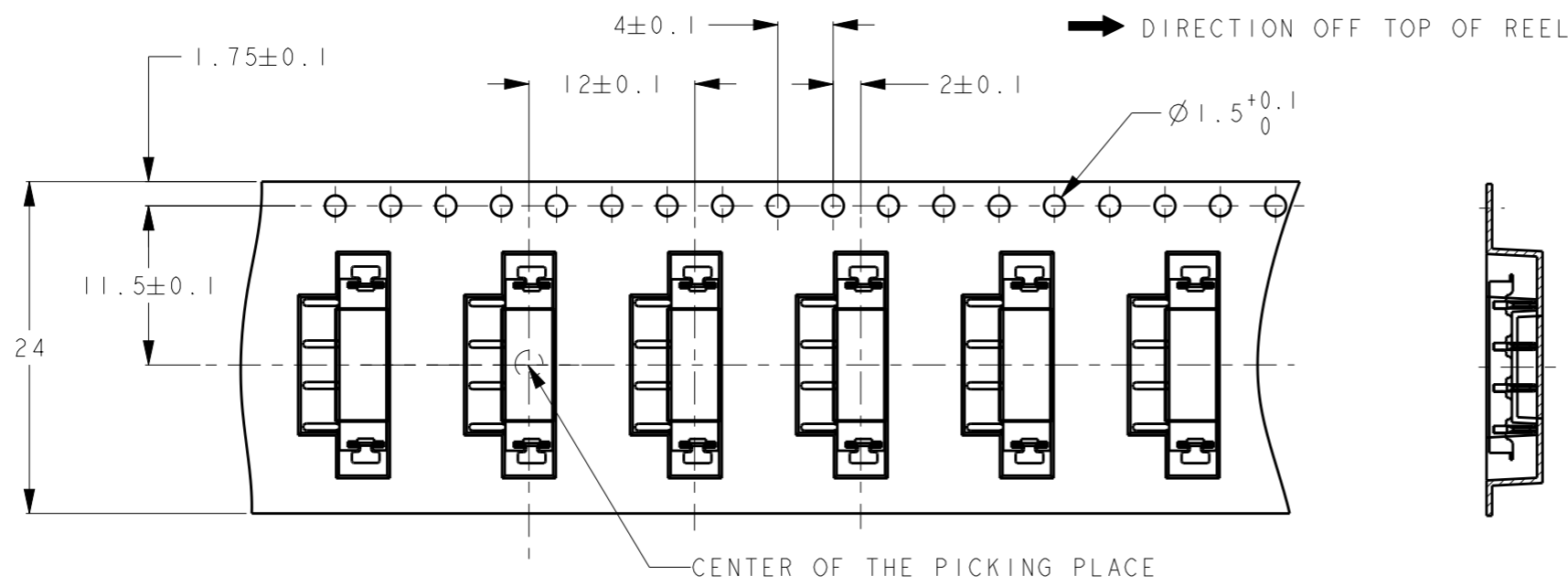
SIZE	CAGE CODE	DRAWING NO	RESTRICTED TO
A300779	C	2134758	-

SCALE 4:1	SHEET 2 OF 3	REV A
-----------	--------------	-------

THIS DRAWING IS UNPUBLISHED. RELEASED FOR PUBLICATION 2011  
 © COPYRIGHT 2011 BY - ALL RIGHTS RESERVED.

LOC ES  
 DIST -

REVISIONS					
P	LTR	DESCRIPTION	DATE	DWN	APVD
-	-	SEE SHEET 1	-	-	-



1200	2134758-1
QTY/REEL	P/N

THIS DRAWING IS A CONTROLLED DOCUMENT.	
DIMENSIONS: mm	TOLERANCES UNLESS OTHERWISE SPECIFIED: ± 0.3
	0 PLC ±
	1 PLC ±
	2 PLC ±
	3 PLC ±
	4 PLC ±
	ANGLES ±3°
MATERIAL	FINISH

DWN
CHK
APVD
PRODUCT SPEC
APPLICATION SPEC
WEIGHT
Customer Drawing

**STE** TE Connectivity

NAME: FLOATING BATTERY INTERCONNECTION SYSTEM PLUG ASSEMBLY 4P OFFSET TYPE

SIZE	CAGE CODE	DRAWING NO	RESTRICTED TO
A3	00779	C-2134758	-

SCALE: NTS SHEET 3 OF 3 REV A