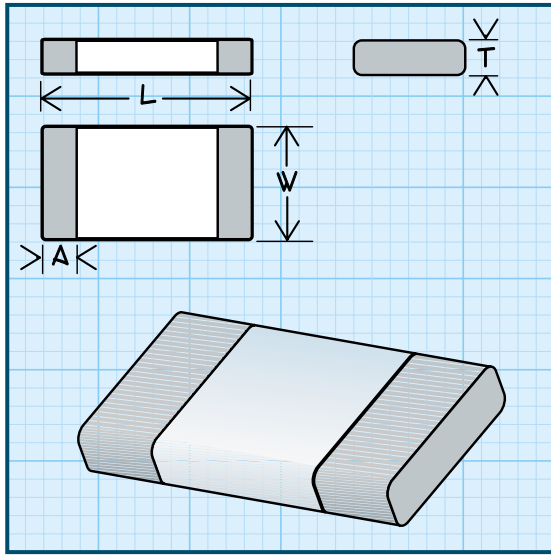


EMI Chip Beads

0603, 0805, 1206, 1210, 1806, 1812



Small size utilizing a monolithic ferrite structure which results in excellent magnetic shielding.

Operating Temperature Range -55°C to +125°C

Terminations 90/10 tin-lead solder coating over a nickel barrier. Suitable for flow & reflow soldering application.

Current Rating The current at which the Impedance will change by a maximum of ±25%.

Z vs. f Graphs See factory website

Note * Test Frequency for EMI 1206-1500 = 50 MHz

** Test Frequency for EMI 1206-2000 = 30 MHz

PART NUMBER	IMPEDANCE @ 100 MHz (OHMS) ±25%	DC RESISTANCE (OHMS) Max	CURRENT RATING MAXIMUM (mA)
EMI 0603-60	60	0.10	600
EMI 0603-68	68	0.10	600
EMI 0603-80	80	0.10	400
EMI 0603-120	120	0.15	400
EMI 0603-220	220	0.30	300
EMI 0603-300	300	0.35	300
EMI 0603-450	450	0.40	300
EMI 0603-600	600	0.45	200
EMI 0603-750	750	0.60	100
EMI 0603-1000	1000	0.60	100
EMI 0805-11	11	0.05	600
EMI 0805-40	40	0.05	600
EMI 0805-90	90	0.10	600
EMI 0805-120	120	0.15	500
EMI 0805-150	150	0.15	500
EMI 0805-220	220	0.22	500
EMI 0805-300	300	0.20	500
EMI 0805-400	400	0.30	500
EMI 0805-600	600	0.30	500
EMI 0805-1000	1000	0.35	300
EMI 0805-1500	1500	0.40	200
EMI 0805-2000	2000	0.50	200
EMI 1206-31	31	0.05	600
EMI 1206-50	50	0.10	600
EMI 1206-70	70	0.10	600
EMI 1206-90	90	0.15	500
EMI 1206-120	120	0.15	500
EMI 1206-150	150	0.15	500
EMI 1206-200	200	0.20	500
EMI 1206-300	300	0.20	500
EMI 1206-600	600	0.30	500
EMI 1206-800	800	0.30	200
EMI 1206-1000	1000	0.40	200
EMI 1206-1200	1200	0.40	200
EMI 1206-1500*	1500	0.50	200
EMI 1206-2000**	2000	0.50	200
EMI 1210-60	60	0.30	400
EMI 1806-80	80	0.10	400
EMI 1806-105	100	0.20	300
EMI 1806-150	150	0.30	200
EMI 1812-125	120	0.40	200

Additional values available - contact factory for your application

Physical Parameters and Packaging						
	EMI 0603	EMI 0805	EMI 1206	EMI 1210	EMI 1806	EMI 1812
Dimensions						
L - inches	0.063±0.006	0.079±0.008	0.126±0.008	0.126±0.008	0.177±0.010	0.177±0.010
(mm)	(1.6±0.15)	(2.0±0.2)	(3.2±0.2)	(3.2±0.2)	(4.5±0.25)	(4.5±0.25)
W - inches	0.031±0.006	0.049±0.008	0.063±0.008	0.098±0.008	0.063±0.008	0.126±0.010
(mm)	(0.8±0.15)	(1.25±0.2)	(1.6±0.2)	(2.5±0.2)	(1.6±0.2)	(3.2±0.25)
T - inches	0.031±0.006	0.035±0.008	0.043±0.008	0.051±0.008	0.063±0.008	0.059±0.010
(mm)	(0.8±0.15)	(0.9±0.2)	(1.1±0.2)	(1.3±0.2)	(1.6±0.2)	(1.5±0.25)
A - inches	0.012±0.008	0.020±0.012	0.020±0.012	0.020±0.012	0.022±0.016	0.022±0.016
(mm)	(0.3±0.20)	(0.50±0.300)	(0.50±0.300)	(0.50±0.300)	(0.60±0.400)	(0.60±0.400)
Packaging	Tape & reel (12mm); max. pieces per reel as follows					
	4000	4000	3000	2000	2000	1000

SUPPRESSORS