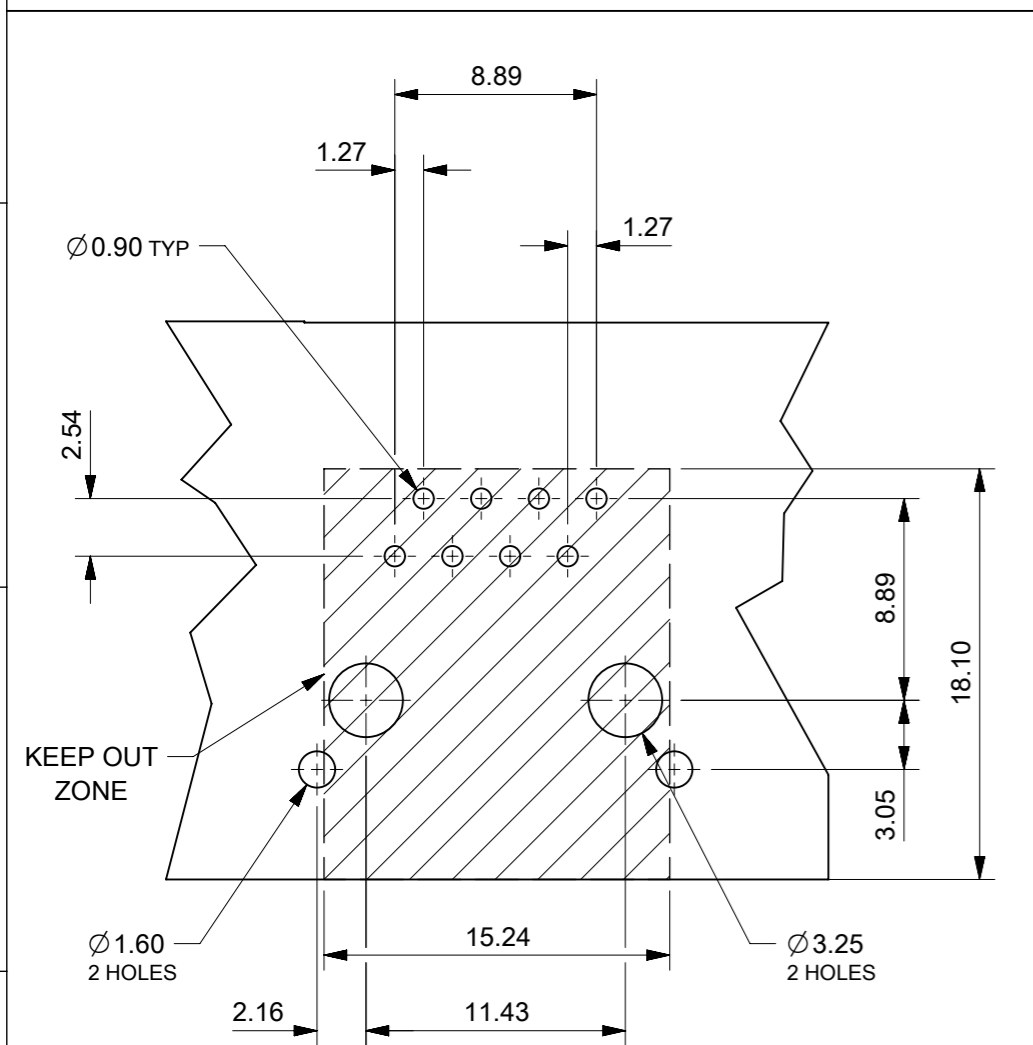
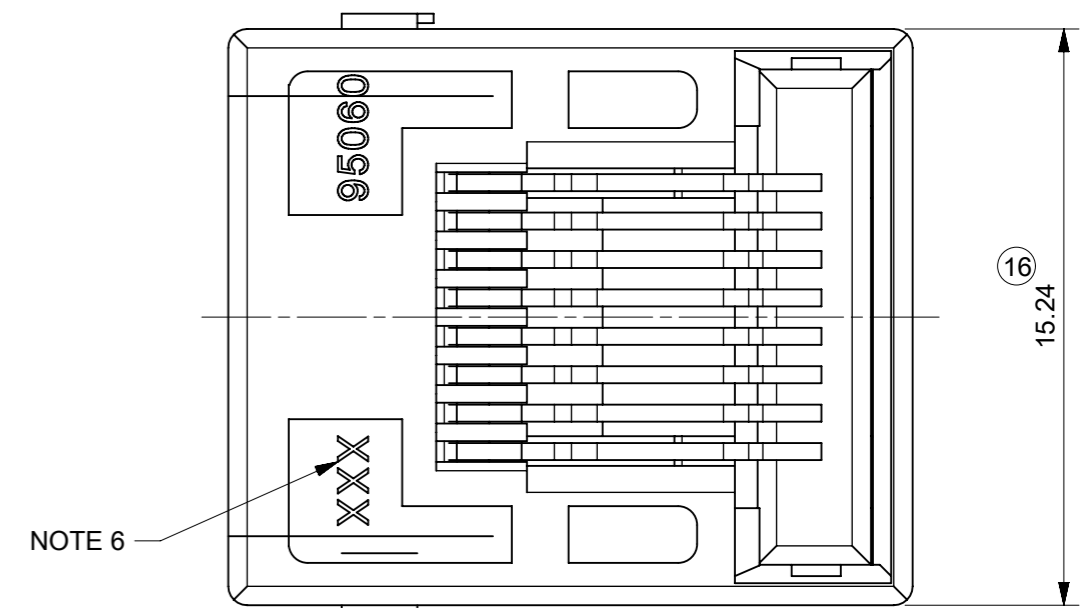


NOTES:

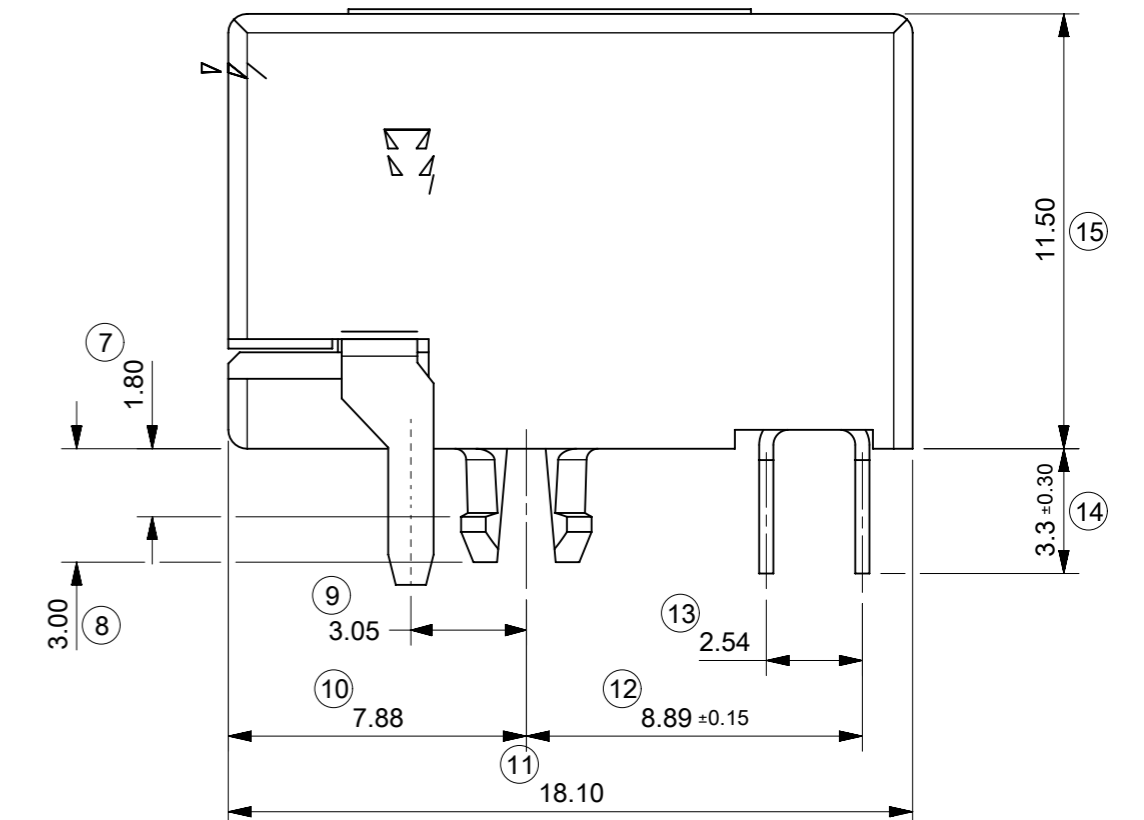
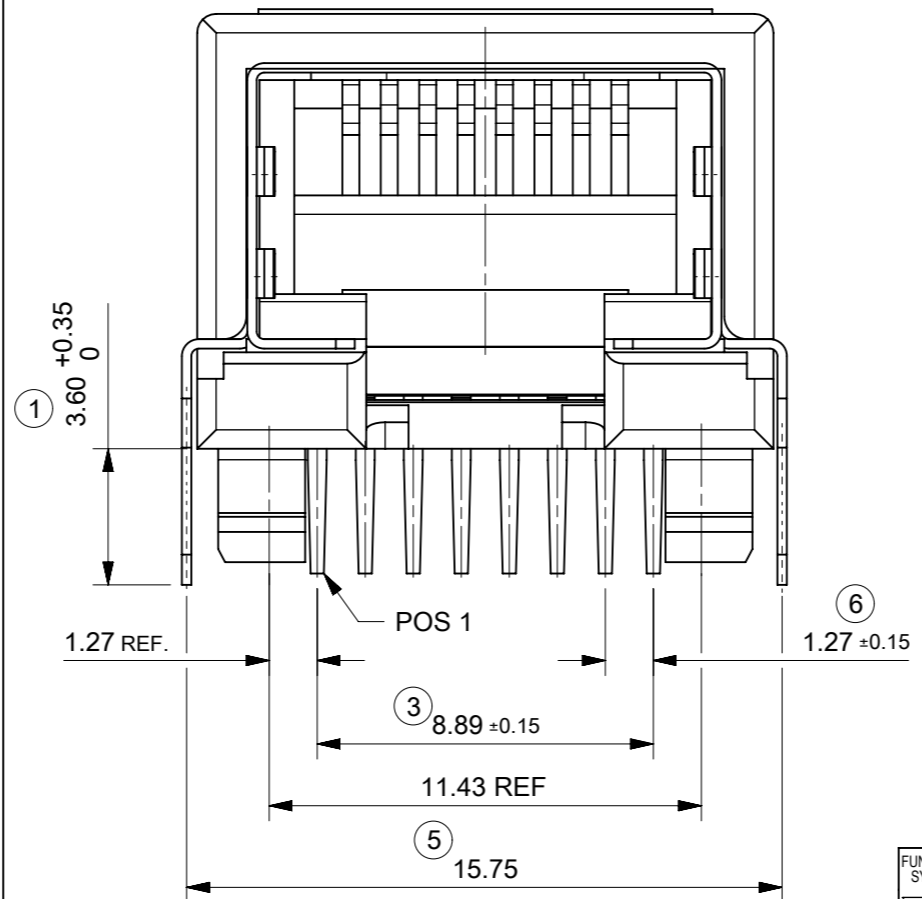
- MATERIAL:  
HOUSING: LCP GLASS FILLED UL 94-V0. COLOR: BLACK  
TERMINAL: COPPER ALLOY PLATED WITH:  
BASE FINISH: NICKEL  
CONTACT SURFACE FINISH: GOLD  
OR  
GOLD FLASH OVER PALLADIUM NICKEL  
EXCEEDS PRODUCT REQUIREMENTS BASED ON PS-95540-002  
SHIELD: COPPER ALLOY PLATED WITH TIN
- P.C. BOARD THICKNESS 1.57 ± 0.15
- JACK FOR MATING WITH IEC 60603-7 AND TIA-1096-A PLUGS  
95043 MOLEX SERIES
- PRODUCT SPECIFICATION: PS-95540-002
- PACKAGING SPECIFICATION: MOLEX PK-95040
- MANUFACTURING I.D. CAN BE EITHER MXF, MG, MXI OR MXCH.

LAST INSPECTION NO.: 16  
REMOVED INSPECTION NO.: 2, 4

PART NUMBER
95540-2881



RECOMMENDED  
P.C.B. MOUNTING PATTERNS  
VIEW FROM COMPONENT SIDE  
ALL DIMENSIONS REF DIMENSIONS



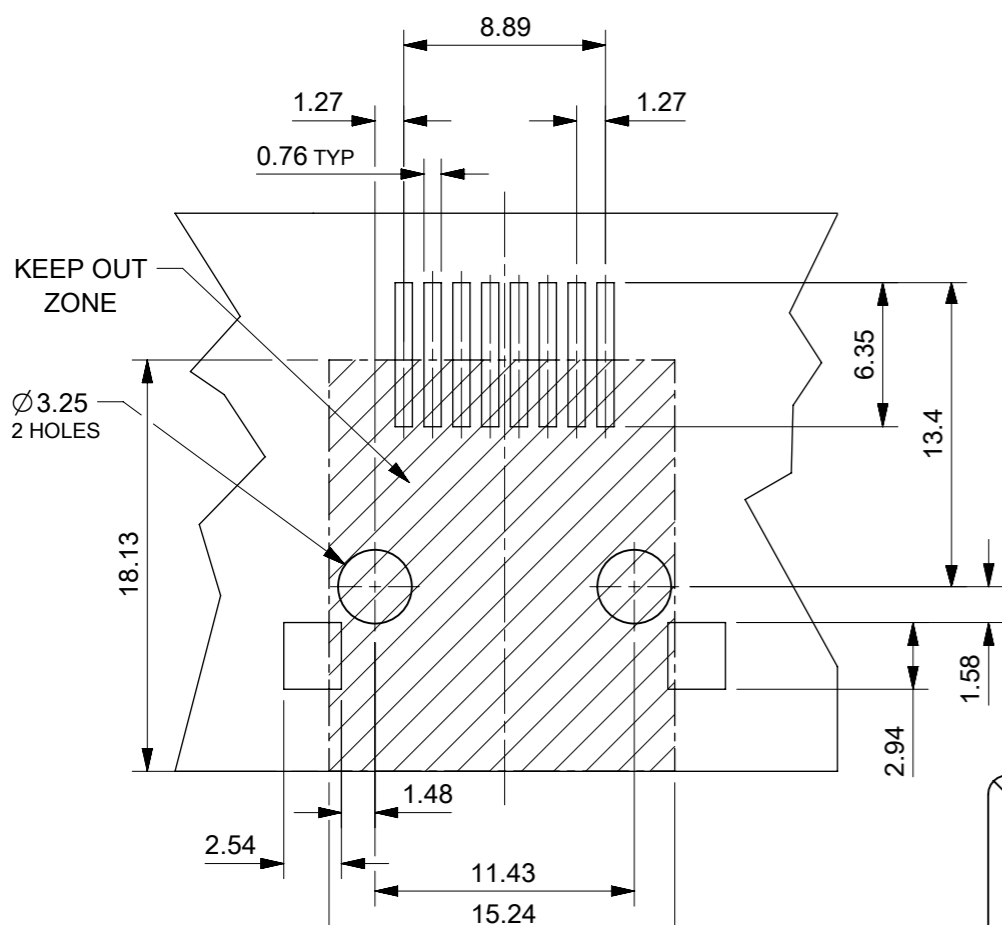
FUNCTIONAL SYMBOLS	THIS DRAWING CONTAINS INFORMATION THAT IS PROPRIETARY TO MOLEX ELECTRONIC TECHNOLOGIES, LLC AND SHOULD NOT BE USED WITHOUT WRITTEN PERMISSION						
	THIS DRAWING CONTAINS INFORMATION THAT IS PROPRIETARY TO MOLEX ELECTRONIC TECHNOLOGIES, LLC AND SHOULD NOT BE USED WITHOUT WRITTEN PERMISSION	SCALE			CURRENT REV DESC: REMASTERED USING 3D MODELS		
FA = 0	mm	5:1	EC NO: 686740 DRWN: GWU15 CHK'D: KLANG APPR: KLANG 2021/07/15 2021/12/16 2021/12/16				
FE = 0	GENERAL TOLERANCES (UNLESS SPECIFIED)						
FE = 0	ANGULAR TOL ± 0.5°		PRODUCT CUSTOMER DRAWING DOCUMENT NUMBER: SD-95540-001 DOC TYPE: PSD DOC PART: 001 REVISION: L2				
FE = 0	4 PLACES ±						
DIVISIONAL SYMBOLS	3 PLACES ±		INITIAL REVISION: DRWN: KNOLLER APPR: KNOLLER 2004/06/30 2004/06/30				
	2 PLACES ± 0.1						
	1 PLACE ± 0.15						
	0 PLACES ±						
DRAFT WHERE APPLICABLE MUST REMAIN WITHIN DIMENSIONS		THIRD ANGLE PROJECTION	DRAWING	SERIES	MATERIAL NUMBER	CUSTOMER	SHEET NUMBER
			A3-SIZE	95540	SEE CHART	GENERAL MARKET	1 OF 3

DOCUMENT STATUS	P1	RELEASE DATE	2021/12/16	01:29:37
-----------------	----	--------------	------------	----------

NOTES:

1. COPLANARITY OF LEADS: 0.10 MAX.  
COPLANARITY OF SHIELD TABS: 0.10 MAX.
2. PACKAGING SPECIFICATION: BLISTER ON REEL (SEE CHART)
3. PRODUCT SPECIFICATION: MOLEX PS-95540-002
4. KAPTON ADHESIVE FOIL: 0.125 THICK.
5. JACK FOR MATING WITH IEC 60603-7 AND TIA-1096-A PLUGS 95043 MOLEX SERIES
6. MANUFACTURING I.D. CAN BE EITHER MXF, MG, MXI OR MXCH.

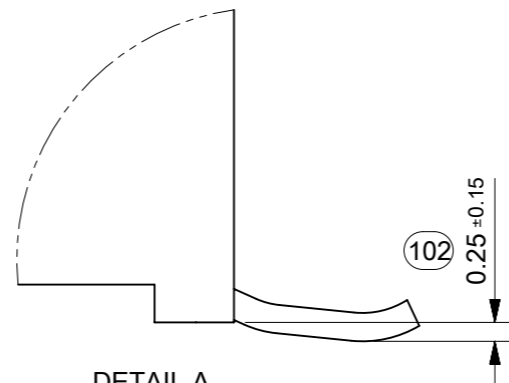
LAST INSPECTION NO.: 121  
REMOVED INSPECTION NO.: 103, 105, 107



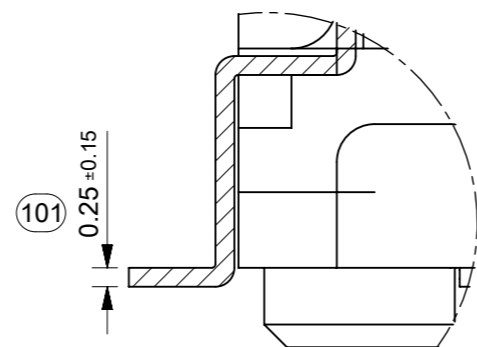
RECOMMENDED P.C.B. MOUNTING PATTERNS  
VIEW FROM COMPONENT SIDE  
ALL DIMENSIONS REF DIMENSIONS

PACKAGING		
PART NUMBER	REEL SIZE	SPECIFICATION
95540-6886	330	PK-85502-SHT 1
95540-6888	559	PK-85502-SHT 3

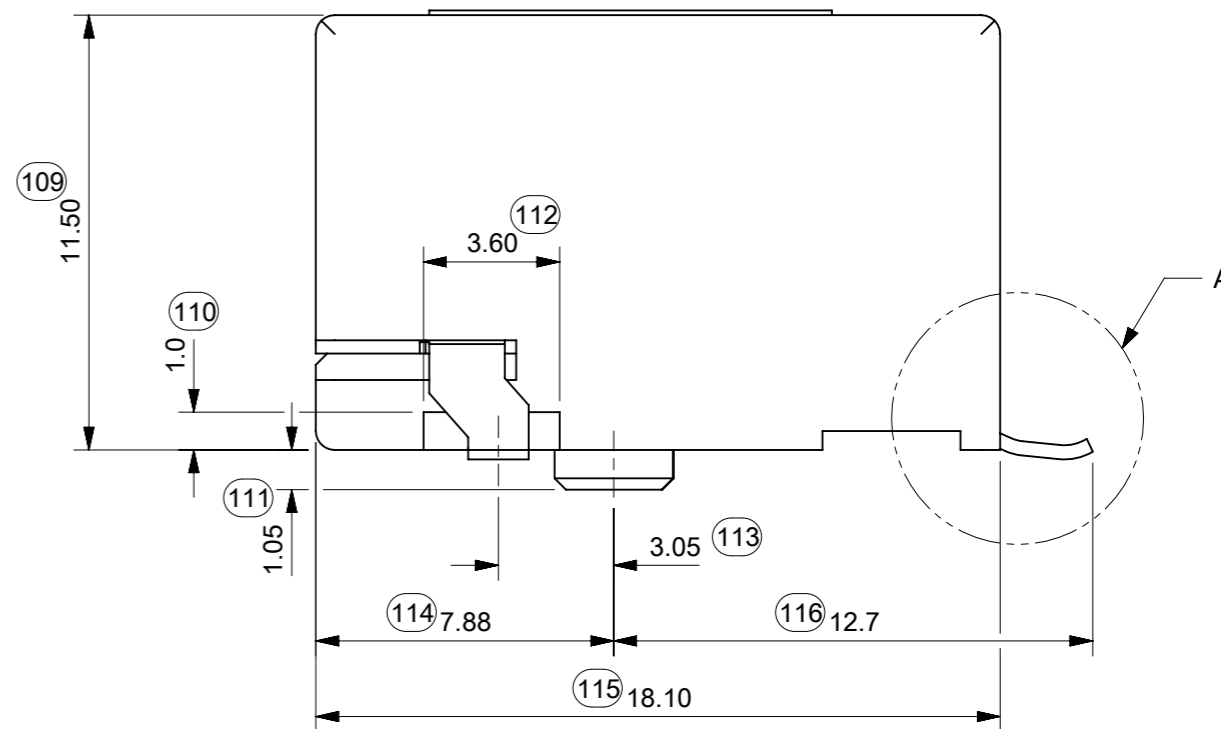
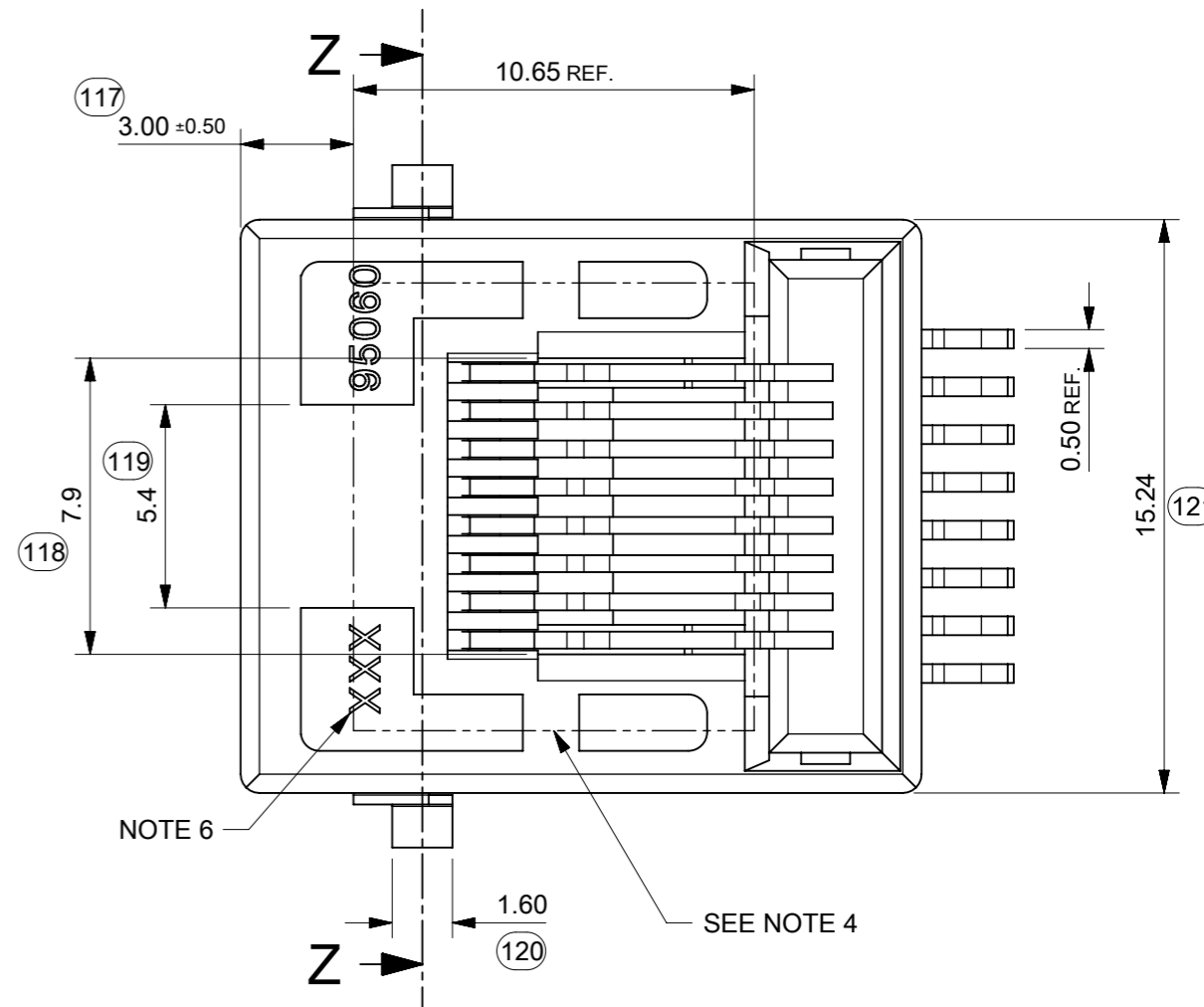
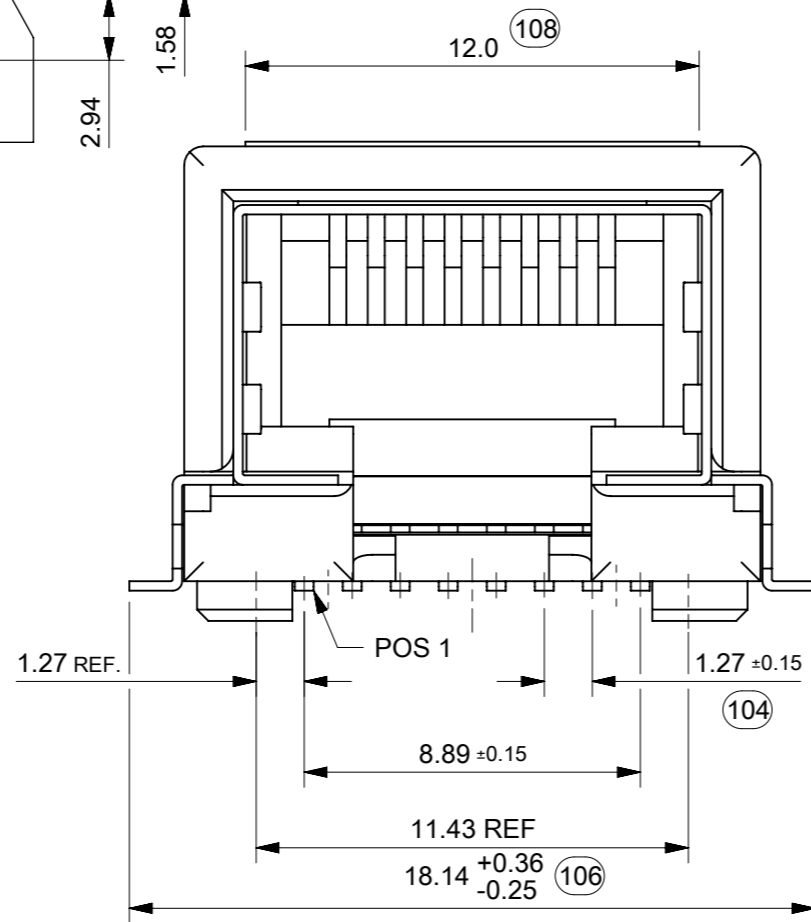
MATERIAL:  
HOUSING: LCP GLASS FILLED UL 94-V0, COLOR: BLACK  
TERMINAL: COPPER ALLOY PLATED WITH:  
BASE FINISH: NICKEL  
CONTACT SURFACE FINISH:  
GOLD  
OR  
GOLD FLASH OVER PALLADIUM NICKEL  
EXCEEDS PRODUCT REQUIREMENTS BASED ON PS-95540-002  
SHIELD: COPPER ALLOY PLATED WITH TIN



DETAIL A  
SCALE 10:1



PARTIAL Z-Z



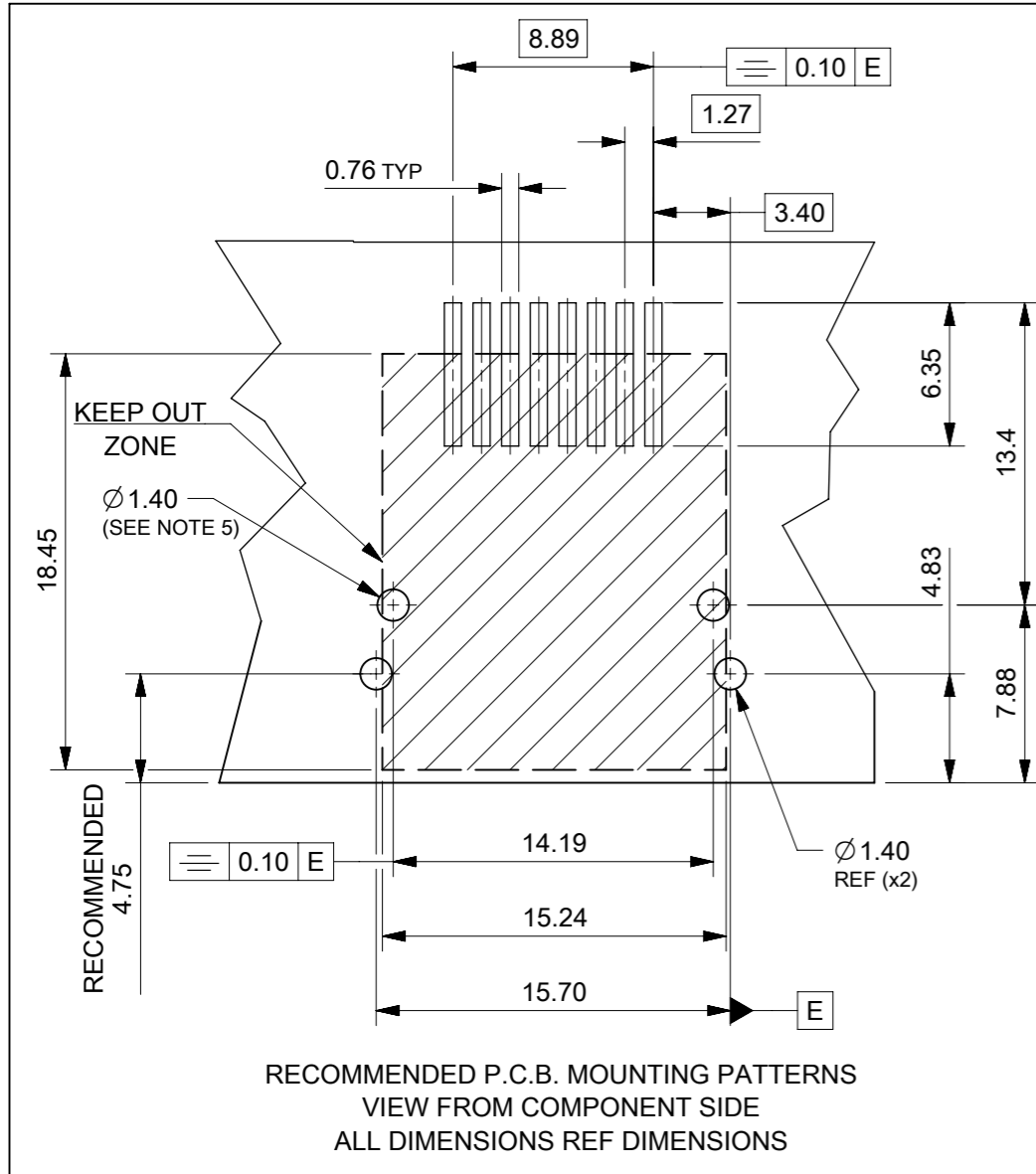
FUNCTIONAL SYMBOLS	THIS DRAWING CONTAINS INFORMATION THAT IS PROPRIETARY TO MOLEX ELECTRONIC TECHNOLOGIES, LLC AND SHOULD NOT BE USED WITHOUT WRITTEN PERMISSION		CURRENT REV DESC: REMASTERED USING 3D MODELS		
	THIS DRAWING CONTAINS INFORMATION THAT IS PROPRIETARY TO MOLEX ELECTRONIC TECHNOLOGIES, LLC AND SHOULD NOT BE USED WITHOUT WRITTEN PERMISSION	SCALE: 5:1	EC NO: 686740		
GENERAL TOLERANCES (UNLESS SPECIFIED)	mm	SCALE: 5:1	DRWN: GWU15		PRODUCT CUSTOMER DRAWING
ANGULAR TOL ± 0.5°			CHK'D: KLANG		DOCUMENT NUMBER
4 PLACES ±			APPR: KLANG		DOC TYPE
3 PLACES ±			INITIAL REVISION:		DOC PART
2 PLACES ± 0.1			DRWN: KNOLLER		REVISION
1 PLACE ± 0.15			APPR: KNOLLER		SD-95540-001
0 PLACES ±			THIRD ANGLE PROJECTION		PSD 001 L2
DRAFT WHERE APPLICABLE MUST REMAIN WITHIN DIMENSIONS			DRAWING: A3-SIZE		MATERIAL NUMBER
			SERIES: 95540		CUSTOMER
			SEE CHART		GENERAL MARKET
			SHEET NUMBER		2 OF 3

TECHNICAL SPECIFICATIONS:

MATERIAL:  
 HOUSING: LCP GLASS FILLED UL 94-V0 COLOR: BLACK  
 TERMINAL: COPPER ALLOY PLATED WITH:  
 BASE FINISH: NICKEL  
 CONTACT SURFACE FINISH:  
 GOLD  
 OR  
 GOLD FLASH OVER PALLADIUM NICKEL  
 EXCEEDS PRODUCT REQUIREMENTS BASED ON PS-95540-002

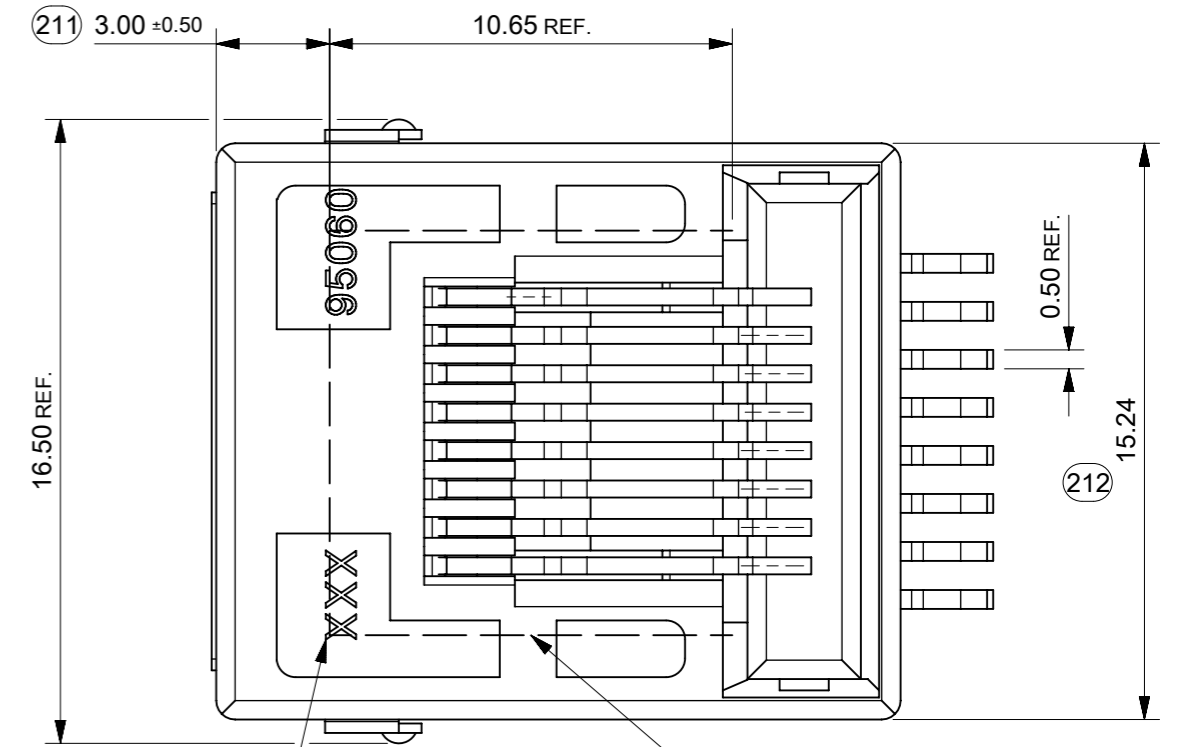
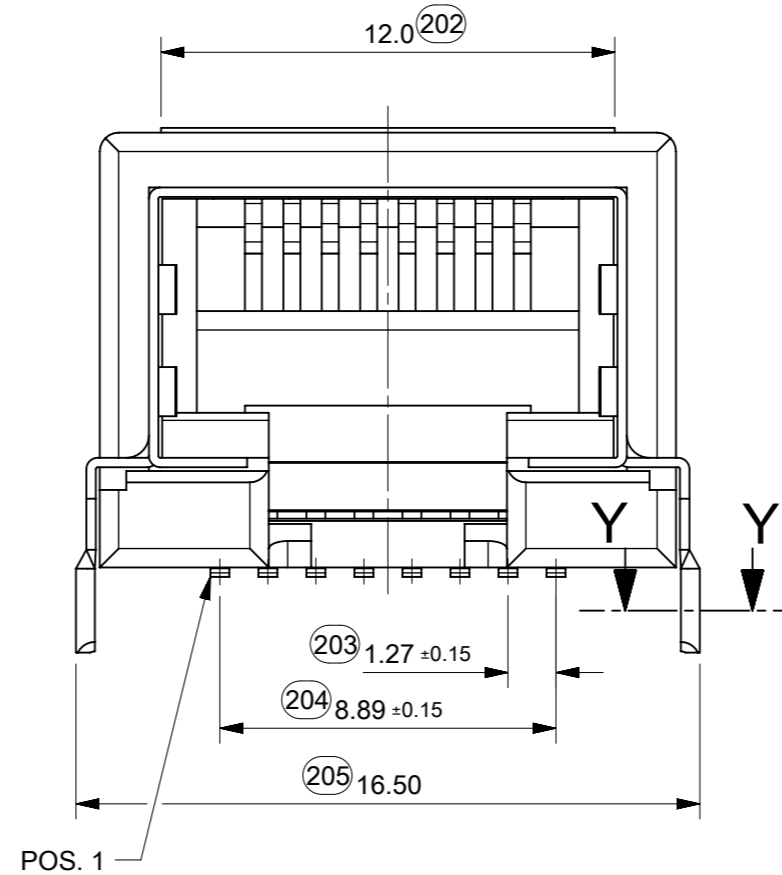
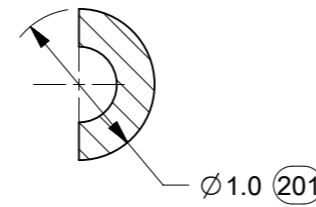
SHIELD: COPPER ALLOY PLATED WITH TIN

PART NUMBER	PEG DIM A	PACKAGING	
		REEL SIZE	SPEC.
95540-5880	1.34±0.10	330	PK-85502 SHET 1
95540-6880	2.25	330	PK-85502 SHET 1



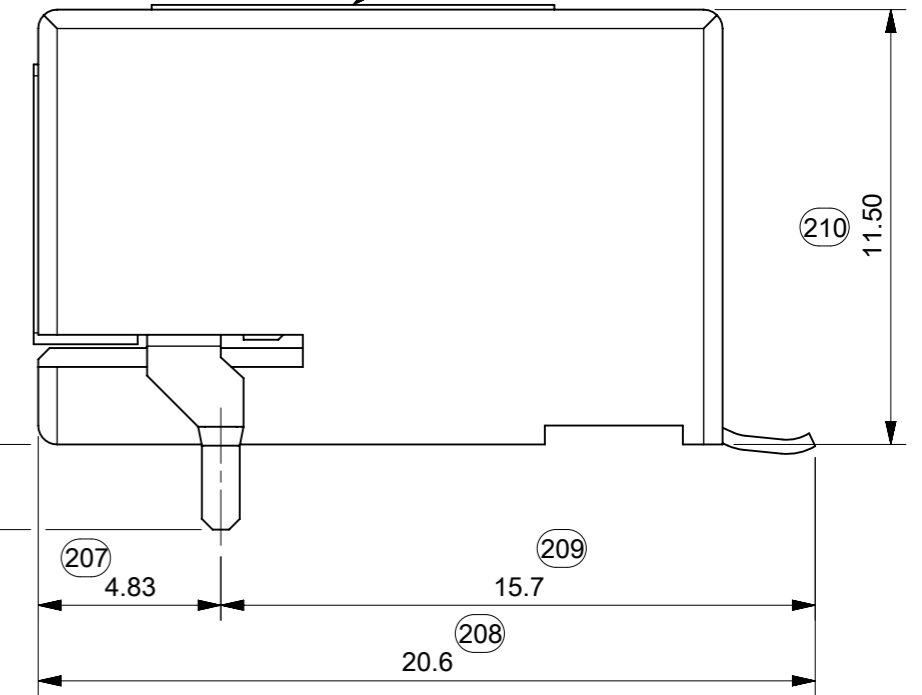
- NOTES:
- JACK FOR MATING WITH IEC 60603-7 AND TIA-1096-A PLUGS, 95043 MOLEX SERIES.
  - COPLANARITY OF LEADS: 0.10 MAX.
  - PACKAGING: MOLEX PK-85502 SHEET 1 (BLISTER ON REEL).
  - KAPTON ADHESIVE FOIL: 0.125 THICK.
  - OPTIONAL HOLES FOR COMPAT. WITH UNSHIELDED VERSION.
  - PRODUCT SPECIFICATION: MOLEX PS-95540-002
  - MANUFACTURING I.D. CAN BE EITHER MXF, MG, MXI OR MXCH.

LAST INSPECTION NUMBER: 212



NOTE 7

SEE NOTE 4



FUNCTIONAL SYMBOLS	THIS DRAWING CONTAINS INFORMATION THAT IS PROPRIETARY TO MOLEX ELECTRONIC TECHNOLOGIES, LLC AND SHOULD NOT BE USED WITHOUT WRITTEN PERMISSION	SCALE		CURRENT REV DESC: REMASTERED USING 3D MODELS				<b>molex</b>			
	mm	5:1									
DIVISIONAL SYMBOLS	GENERAL TOLERANCES (UNLESS SPECIFIED)	ANGULAR TOL ± 0.5°		EC NO: 686740				RIGHT ANGLE LOW PROFILE SHIELDED PC JACK			
	4 PLACES ±	3 PLACES ±		DRWN: GWU15 2021/07/15				PRODUCT CUSTOMER DRAWING			
DIVISIONAL SYMBOLS	2 PLACES ± 0.1	1 PLACE ± 0.15		CHK'D: KLANG 2021/12/16				DOCUMENT NUMBER			
	0 PLACES ±	DRAFT WHERE APPLICABLE MUST REMAIN WITHIN DIMENSIONS		APPR: KNOLLER 2021/12/16				SD-95540-001			
THIRD ANGLE PROJECTION		DRAWING		SERIES		MATERIAL NUMBER		CUSTOMER		SHEET NUMBER	
A3-SIZE		95540		SEE CHART		GENERAL MARKET		3 OF 3			